

# MERITOR® DRUMS, HUBS AND ROTORS PRODUCT CATALOG



**MERITOR**



# TABLE OF CONTENTS

<b>Drums, Hubs and Rotors Catalog .....</b>	<b>Page</b>
Common Problems with Brake Drums.....	6
Drive Axle Hubs.....	26
Drive Flange Studs.....	25
Drum Numerical Listing.....	10
Drums by Brake Size.....	16
Front Axle Hubs.....	53
How to Measure Brake Drums.....	9
How to Use This Catalog.....	2
Lite Weight TP Trailer Hubs.....	89
PreSet® by Meritor Trailer Hubs.....	93
Rotors.....	21
Trailer Hubs.....	86
What Makes a Good Brake Drum.....	3
Wheel Studs.....	24
<b>Cross Reference.....</b>	<b>95</b>
<b>Numerical Parts Listing.....</b>	<b>101</b>

# HOW TO USE THIS CATALOG

The Meritor part numbering system divides as such:

**Example:**                    03            -            122222            -            002  
                                  **Prefix**                                    **Base Number**                                    **Suffix**

- The prefix indicates the part type. The 03 in the example indicates a cast non-balanced brake drum. The 23 different prefix numbers are used to categorize and describe the part. At present not all of the prefix codes are currently being used, but all are listed for your reference. (See Prefix Code Chart below). **This drum, hub and rotor catalog covers prefix codes 03, 04, 05, 08, 09, 13, 14, 15, 16, 17, 23, 53, 85.**
- 122222 base number, when coupled with the prefix, gives the part type and the part dimensional specifications through the numerical part number listing. The base numbers are not all available with all the prefix combinations.
- The suffix, a three digit number, indicates the phase of manufacturing the part is in.

For the current list of Meritor Brake Drum and Rotor part numbers, see the appropriate numerical listing.

This catalog contains cross reference information for:

- Bendix
- Erie
- Ford
- GMC
- Gunitite
- Hayes
- KIC
- Motor Wheel (centrifuse drums)
- Webb

PREFIX CODE	DESCRIPTION
03	Brake Drums, Cast Non-Balanced
04	Hub Only - Rear Drive and Trailer
05	Hub Only - Front
08	Rim, Studs, Misc., etc.
09	Hub / Wheel Parts
13	Brake Drums, Cast Weld-to-Balance
14	Hub and Drum Assembly - Rear Drive and Trailer
15	Hub and Drum Assembly Front
16	Hub and Rotor Assembly Rear
17	Hub and Rotor Assembly Front
23	Rotor
47	Nodular Iron Wheel Rear / Trailer (No Longer Available)
48	Wheel Drum Assembly Rear / Trailer Nodular Iron Wheel (Spoke) (No Longer Available)
53	X-30 Brake Drum
55	Nodular Iron Wheel Front (No Longer Available)
56	Wheel Drum Assembly Front Nodular Iron Wheel (Spoke) (No Longer Available)
57	Wheel Rotor Assembly Front Nodular Iron Wheel (Spoke) (No Longer Available)
60	Calipers and Kits
69	Brake Supports, etc.
83	X-10 Series Brake Drums / Non-Balanced (No Longer Available)
85	Brake Drums / Machined to Balance (MTB)
93	X-10 Series Brake Drums / Weld to Balance (WTB) (No Longer Available)
95	X-10 Series Brake Drums / Machined to Balance (MTB) (No Longer Available)

# WHAT MAKES A GOOD BRAKE DRUM

There are a number of attributes that differentiate between mediocre and a good brake drum. The following highlights these and what they mean to the end user.

## 1. A HEAT ABSORPTION DEVICE (HEAT SINK)

The braking system in a vehicle converts the vehicle energy of motion into heat energy by means of friction between the brake lining and the brake surface of the brake drum when the vehicle's brakes are applied.

- a) The surrounding parts, such as brake lining, rim, tire, hub, bearings, and drum absorb heat by conduction and radiation.
- b) The surrounding air is heated by convection.

Radiated heat to surrounding parts is small and heat dissipated by convection to the surrounding air is slow relative to the actual time of braking. For these reasons nearly all the braking energy must be stored in the form of heat in the brake drum. This energy is stored by heating the drum material to a higher temperature than the drum temperature prior to the brake application. A heavier drum will store more energy than a light one will. A heavier drum is stronger and more fade resistant.

## 2. A CYLINDRICAL BRAKE LINING INTERFACE

The brake drum moves past a stationary brake lining. When (if) the brake surface does not move past the lining uniformly, the brake drum has run out. This will overstress the brake drum, linings, and attaching hardware, causing variable heating of the brake drum braking surface which results in heat checking, excessive wear of both the drum and lining, pulsing of the brake, and shortened life of both the drum and lining. Also to keep the drum dimensionally stable under these conditions, it must be a relatively heavy brake drum.

A heavy precise brake drum does not reduce the need for linings to fit the drum correctly. If the linings are not contoured to fit properly, the brake will not produce proper braking torque. Poorly contoured linings cause additional mechanical stress in the drum, shoes and lining, and brake hardware. This additional stress hastens failure and greater wear.

Before linings are "burnished" or seated into the brake drum, they may rub on only a few high spots. These superheat the brake drum braking surface in very small areas and can be seen on the brake dynamometer as fire bands. A light brake application will cause this to occur whereas a snub brake application will force the lining against more of the braking surface of the brake drum thus limiting or even eliminating these types of hot spots. If these hot spots are allowed to continue, martensite hot spots will occur, and in turn drum distortion, and very early cracking can happen.

Lining that takes longer to burnish will be more likely to cause hot spotting. Many of the non-asbestos organic linings fall into this category. Since martensite hot spotted brake drums cannot usually be successfully rebored, they usually must be scrapped.

## 3. HIGH STRENGTH, HEAT, AND WEAR RESISTANT BRAKE DRUM MATERIAL

A brake drum must be strong enough to resist the maximum mechanical stress caused by the expanding and self-energized brake shoes at high temperatures. The brake drum's stiffness or resistance to deflection is derived from the thick shell structure and the stiffness of the gray cast iron. Higher tensile strength gray iron does not change the deflection of the brake drum significantly.

Although higher strength iron is more resistance to thermal stress caused by temperature gradients, as a "hot" brake surface and a "cold" outside brake drum diameter. The occurring problem here is the "cold" outside diameter of the brake drum does not want to expand to a bigger diameter, but the "hot" inside diameter of the brake drum does want to expand. The "hot" inner surface is caused to compress or compresses plastically so that it fits within the "cold" outer surface. But as the "hot" inner surface cools, cracks form because the metal was too compressed to return to its original position thus resulting in hairline surface cracks known as heat checks.

## 4. HEAVY ROTATING PARTS THAT IF IMBALANCED CAN SIGNIFICANTLY AFFECT THE VEHICLES RIDE

The mass of a 16.5" x 7" brake drum is concentrated about 9 inches radially from the hub bearing centerline. Unless the brake drum is balanced, it helps excite vibration in trucks and trailers. That is why it is important to use balanced brake drums on all front and rear applications. Most brake drum balancing is done by welding weights to the outside of the drum, but Meritor pioneered and patented a technique to balance brake drums without welding on balance weights. This is called Machine to Balance (MTB). The industry typically requires front hub/drum or hub/rotor assemblies balanced to 20-in. oz. maximum and rear hub/drum or hub/rotor assemblies balanced to 50-in. oz. maximum.

# WHAT MAKES A GOOD BRAKE DRUM (continued)

## 5. SUMMARY: THE BEST BRAKE DRUM FOR OVERALL PERFORMANCE

- Is a relatively heavy brake drum
- Is made from temperature and wear resistant high tensile iron
- Is precisely machined
- Is balanced by machining rather than adding weights

### MAXIMUM BRAKE FACE DIAMETERS

Maximum brake face diameters are indicated on Meritor Brake drums, i.e., the word “Max. Dia. 15.120 inches 384.05mm” will be found on brake drums with a 15 inch, 381mm nominal brake face diameter. This means that for safe operation the brake face diameter should never exceed 15.120 inches, 384.05mm from machining or wear.

Because we have no way of knowing the number of heat cycles or the severity of the cycles to which the drum has been subjected in actual usage, we do not recommend reboring the brake face diameter. The user is best able to judge whether the drum has sufficient life remaining to justify reboring. The maximum diameters are shown in the chart.

Meritor has engineered their brake drums to provide safe operation at the maximum brake face diameters, however, Meritor does not machine these drums to maximum diameters and cannot control the methods that others use to re-machine them after they are put into use.

Do not confuse maximum brake face with maximum rebores diameters. When the drum reaches the maximum brake face diameter, it must be removed from service. There may be some instances where it is a good economic decision to rebores a brake drum but after rebores, there must be some wear life left (at least .040 inches) prior to reaching discard diameter. Meritor does not recommend reboring brake drums for the following reasons:

1. It usually is not a good economic solution.
2. Reboring does not remove fatigue damage even though it may remove the heat checks.
3. It is very difficult to avoid running brake drums over the maximum brake face diameter.
4. Martensite (hot spots) and distortion caused by it are virtually impossible to remove.
5. Severe corrosion is frequently on the outside of the drum which weakens the drum.

NOMINAL DIAMETER		MAXIMUM BRAKE FACE DIAMETER	
Inches	mm	Inches	mm
7.25	185	7.340	186.44
8.00	204	8.090	205.49
9.50	242	9.590	243.59
9.75	248	9.840	249.94
10.00	254	10.090	256.29
11.00	280	11.090	281.69
11.06	281	11.120	282.45
12.00	305	12.090	307.09
12.25	312	12.340	313.44
14.00	356	14.090	357.89
14.50	369	14.620	371.35
15.00	381	15.120	384.05
16.00	407	16.120	409.45
16.25	413	16.370	415.80
16.50	420	16.620	422.15
16.50	420	16.585	421.25
17.00	432	17.120	434.85
17.25	439	17.370	441.20
18.00	458	18.120	462.25
20.00	508	20.120	511.05
20.25	515	20.370	517.40
21.00	534	21.120	536.45

## WHAT MAKES A GOOD BRAKE DRUM (continued)

### WHEN SHOULD A BRAKE DRUM BE REPLACED?

The ability of a brake drum to perform safely is affected by a variety of factors. Conditions, which affect the life of brake drums, are listed, although this list is not intended to be all-inclusive it should serve as a useful guide. The brake drum should be replaced when any of these conditions appear.

1. Brake face diameter reaches maximum limit
2. Excessive heat checks
3. Cracks
4. Martensite spotted drums – “hot spots”
5. Worn or elongated bolt holes
6. Galling of brake surface
7. Brake drum known to have been overheated as occurs with dragging brakes
8. Brake drum warped...out of round
9. It may be necessary to replace brake drums in pairs in order to maintain proper brake balance and efficiency.

### RECOMMENDATIONS FOR LONGER BRAKE DRUM AND ROTOR LIFE

When drums are forced to fit onto a hub, there is improper match of parts for installation. The cause must be determined and corrected.

Wheel bearings should be properly adjusted to prevent the drum from picking up the load created by the braking action.

Drums and linings should be checked at periodic intervals to detect operational patterns. The use of non-asbestos organic linings can cause linings to swell and drag resulting in hot spots and lower fuel economy.

Clearance between non-applied brake linings and the drum varies slightly. See the brake system manufacturer's recommendations for this adjustment. Proper clearance prevents excessively hot linings and drums and improves fuel economy.

Parking brakes should not be set while the drums are hot. Allow them to cool, otherwise, drum cracking and failure can result.

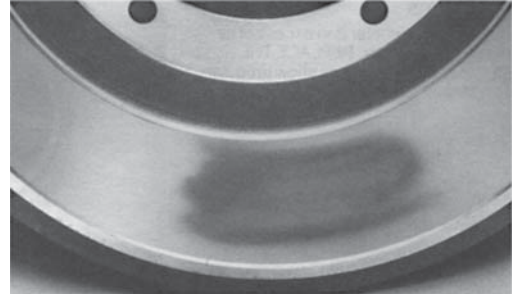
### DRUM FAILURE ANALYSIS

Regular and thorough inspection of your brake system is the best investment you can make for low cost per mile brake operation. Be sure you have a standard inspection timetable and follow it. The following pages list common problems you should be alert for.

# COMMON PROBLEMS WITH BRAKE DRUMS

## Grease Stained Drums

Brake drums with discolored spots on the braking surface, and oil or grease splattered on the brake assembly indicates over-lubrication of the cam or camshaft, or by an oil seal failure. Correct this problem. By repairing the source of the oil or grease leak, clean the drum and replace soaked linings.



## Cracked Drums

A drum which has cracked completely through a section of the braking surface **must be replaced immediately. A cracked drum is not repairable!** Cracked drums are caused by one or more of the following:

1. Excessive heating and cooling
2. Excessive shoe pressure

Repeated cracking of this type may indicate one or more of the following:

1. Dragging brakes
2. Inadequately designed drums for the application
3. Inadequately designed braking system for the application
4. Incorrect brake balance of the vehicle
5. Driver abuse



The total braking system of the vehicle should be checked thoroughly, paying attention to the following:

1. Proper friction ratings
2. Proper valving and plumbing
3. Proper brake balance
4. Missing linings and/or brake system components.

## Heat Checking

A broken network of fine hairline cracks on the braking surface of the drum, is a normal phenomenon of braking surfaces. It is caused by regular heating and cooling of the surface. Heat checking does not impair brake performance; but you should examine heat checks frequently to make sure they have not grown deep enough to weaken the drum.



## Oversized Drums

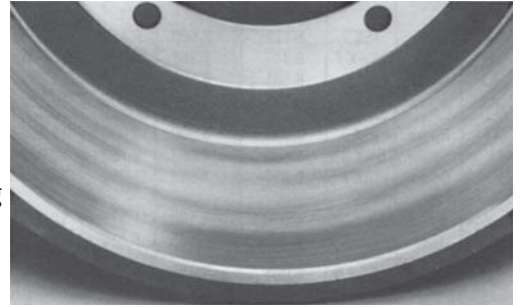
If the brake surface diameter is in excess of its specified maximum diameter, **replace the drum immediately.** It may be necessary to replace drums in pairs to assure proper brake drum balance and braking efficiency. If the linings show irregular wear replace them.



## COMMON PROBLEMS WITH BRAKE DRUMS (continued)

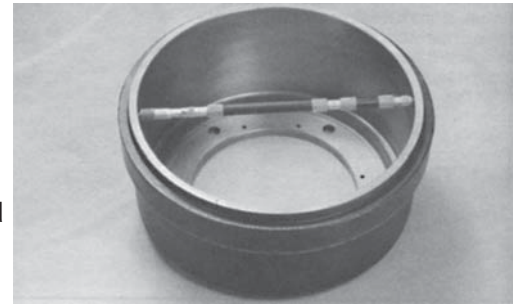
### Scored Drums

Scored drums are signified by circumferential grooves on the braking surface and excessive lining wear. If the scoring is not deeper than the maximum rebores diameter, the drum may be rebored and returned to service. The linings should be replaced and the braking system should be checked to make sure excessive amounts of abrasive material are not entering into the lining-drum contact area. If the scoring is deeper than the maximum rebores diameter, **replace the drum immediately.**



### Out-Of-Round Drums

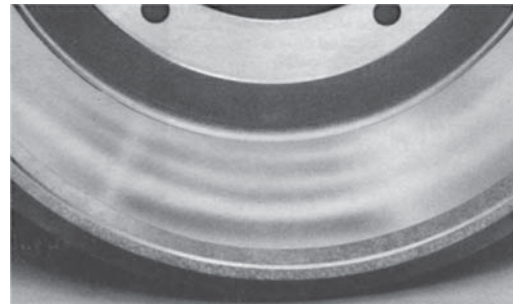
Variations in drum diameter at different points on the braking surface indicate out-of-round drums. The drum should be machined within allowable rebores limits to restore concentricity. Do not exceed the maximum rebores limit of turned drums, and replace drums which are worn beyond their specified maximum diameter. If you are unable to restore concentricity by reboring the drum, **replace it with a new one.** It may be necessary to replace drums in pairs to assure proper brake drum balance and braking efficiency.



### Excessive Wear and Galling

Excessive wear along the edges of the lining contact area, or in areas coinciding with the rivet holes of the lining, is usually caused by abrasive material collecting between the lining and the drum/rotor. Remove the abrasive material from the system and check the drum for scoring. If the brake drum is scored beyond the maximum limit, **replace the drum immediately.** Install dust shields to restrict the amount of abrasive material which can enter the braking system.

Excessive wear can also be caused by misaligned brake shoes. If the shoes are not “square” to the braking surface, uneven forces are applied. This can result in deep grooves in the braking surface. If the brake drum is scored beyond the maximum limit, **replace the drum immediately.** Correct the brake shoe alignment to alleviate further grooving. Brake drum galling in an abnormal wear pattern is due to initial incompatibility between the brake drum lining and the brake surface. This condition may correct itself due to brake drum and lining wear. If severe, consider replacing the lining and/or the brake drum.





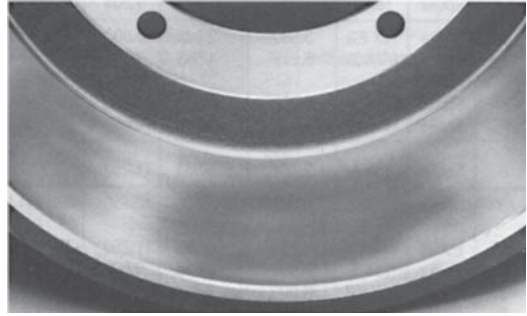
## COMMON PROBLEMS WITH BRAKE DRUMS (continued)

### Blue Drums

A bluish disfiguration on the brake parts (shoes, drums/rotors or bolts) indicates excessive heat.

This is usually caused by an oversized brake surface diameter/undersized rotor width or by weak or broken return springs.

For drums, check the braking surface diameter. If it is oversized, **replace the drum immediately**. If the return springs are weak or broken, replace them.

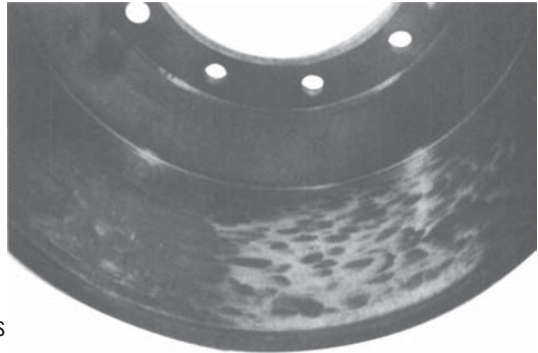


### Martensite Spotted Drums

Martensite spotted drums have extremely hard, slightly raised, dark colored spots on the braking surface, shown uneven wear and the surface is out-of-round. This condition may cause excessive noise or shudder during brake applications. Unless this is detected very early, the brake drum should be scrapped.

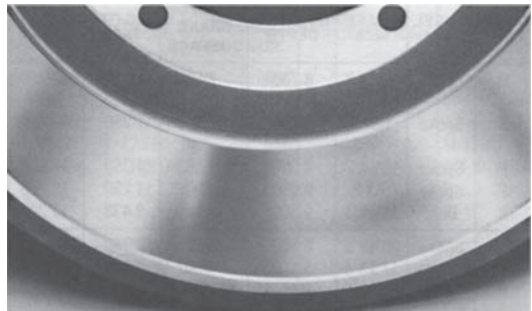
The spots are caused by very light brake applications with non-asbestos organic linings that are contacting the drum at a few lining high spots. To avoid this problem, change braking technique to snubs rather than light dragging stops or ensure the lining fits the drum contour uniformly when it is new.

Attempts to rebore a drum to remove the spots will usually aggravate an already bad situation, and if the drum is allowed to stay in service, cracks will connect between the martensite spots leading to brake drum failure. If the brake lining and drum are replaced and the same brake application techniques are used, the results will likely be the same. If only the drum is replaced, it may not develop these spots (as the high points are worn down).



### Polished Drums

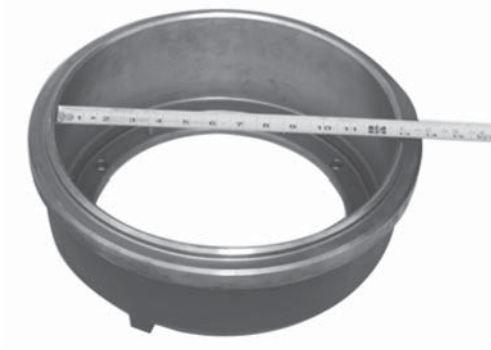
A polished brake drum/rotor is characterized by a mirror-like finish on its braking surface. Correct this problem by removing the gloss with 80 grit emery cloth. If the problem recurs, check the linings to make sure they are the proper friction rating. If the linings are glazed, consult the vehicle manufacturer for the proper lining material.



# HOW TO MEASURE BRAKE DRUMS

## IDENTIFY REQUIRED DRUM BY MEASURING

Brake Surface Diameter



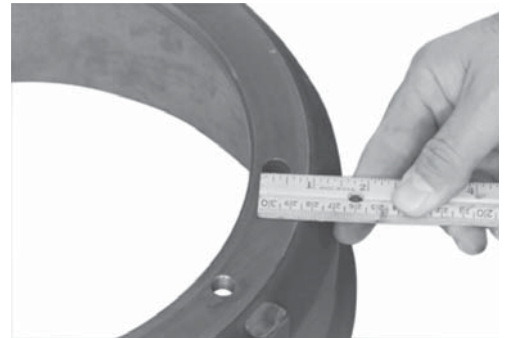
Bolt Circle Diameter



Brake Surface Width



Size of Bolt Holes



Overall Depth



Pilot Diameter

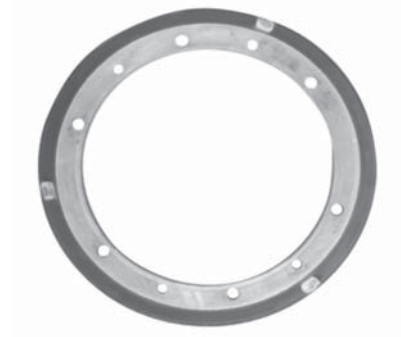


## CHECK THIS INFORMATION:

Number of Bolt Holes - Slots in the back of the drum for wheel spoke clearance.



Drilled and tapped holes for skid control exciter.



# DRUM NUMERICAL LISTING

## CAST BRAKE DRUMS - NON-BALANCED

PART NO.	WT.	WHEEL TYPE	BRAKE SIZE	OVER-ALL DEPTH	BRAKE SURFACE WIDTH	PILOT DIA.	BOLT HOLES			COMMENTS
							BOLT CIRCLE DIA.	NO.	SIZE	
03-012480-002	112	Spoke	16.50" x 7.00"	9.00"	7.60"	11.25"	12.75"	6	.66"	
03-012488-002	135	Spoke	18.00" x 7.00"	9.25"	8.00"	11.25"	12.75"	6	.66"	
03-012582-002	118	Disc	16.50" x 7.00"	9.50"	7.56"	9.44"	11.25"	10	.84"	
03-120376-002	131	Spoke/Disc	16.50" x 8.63"	10.25"	9.22"	9.50"	11.25"	10	.84"	
03-120442-002	106	Spoke	16.50" x 7.00"	8.65"	7.50"	11.00"	12.50"	5	.66"	
03-120516-002	83	Spoke	15.00" x 6.00"	7.09"	6.50"	9.44"	11.00"	5	.66"	
03-120566-002	57	Disc	15.00" x 4.00"	6.41"	4.66"	6.25"	8.75"	6	.84"	
03-120574-002	103	Spoke	16.50" x 7.00"	8.72"	7.56"	11.25"	12.75"	5	.78"	
03-120586-002	116	Spoke	16.50" x 7.00"	8.75"	7.50"	9.50"	11.25"	5/6	.78/.66"	
03-120705-002	37	Spoke	15.00" x 3.00"	4.13"	3.56"	10.00"	11.00"	5	.53"	
03-120743-002	99	Spoke	16.50" x 7.00"	7.94"	7.31"	11.00"	12.75"	6	.66"	
03-120754-002	103	Spoke	16.50" x 7.00"	8.44"	7.38"	11.00"	12.50"	5/6	.66/.66"	
03-120822-002	62	Spoke	12.25" x 7.50"	8.81"	8.00"	8.50"	10.00"	6	.66"	
03-120855-002	92	Spoke	16.50" x 5.00"	6.12"	5.37"	9.25"	11.25"	6	.78"	
03-120877-002	115	Disc	16.50" x 7.00"	10.69"	7.53"	9.44"	11.25"	10	.84"	
03-120882-002	127	Disc	16.50" x 8.63"	11.16"	9.06"	9.44"	11.25"	10	.81"	
03-120936-002	132	Spoke	18.00" x 7.00"	8.25"	7.44"	11.00"	12.75"	6	.66"	
03-120981-002	76	Disc	15.00" x 4.00"	7.84"	4.44"	8.66"	11.25"	10	1.27"	Outboard mount
03-120988-002	86	Disc	16.50" x 5.00"	8.58"	5.48"	8.66"	11.25"	10	1.27"	Outboard mount
03-122009-002	105	Spoke	16.50" x 7.00"	8.65"	7.65"	10.50"	12.75"	5	.78"	
03-122011-002	89	Spoke	15.00" x 7.00"	8.51"	7.36"	10.50"	12.75"	5	.78"	
03-122027-002	120	Spoke	16.50" x 7.00"	8.94"	7.63"	9.50"	11.25"	5	.78"	
03-122104-002	64	Spoke	15.00" x 4.00"	5.84"	4.54"	9.25"	11.25"	6	.78"	
03-122126-002	117	Spoke/Disc	16.50" x 7.00"	8.75"	7.50"	9.50"	11.25"	10	.84"	
03-122222-002	108	Spoke	16.50" x 7.00"	8.41"	7.63"	9.44"	11.00"	5/6	.78/.66"	
03-122239-002	119	Disc	16.50" x 7.00"	8.94"	7.63"	9.50"	11.25"	10	.84"	Notched for ABS
03-122314-002	45	Spoke	15.00" x 3.00"	4.69"	3.50"	6.45"	8.00"	5	.66"	
03-122453-002	112	Disc	16.50" x 7.00"	10.38"	7.44"	8.53"	11.25"	10	.81"	
03-122488-002	54	Spoke	12.25" x 5.50"	7.44"	6.53"	8.50"	10.00"	6/6	.66/.66"	
03-122518-002	102	Disc	16.50" x 7.00"	8.75"	7.50"	9.50"	11.25"	10	.81"	Std. wt. - 03-122126
03-122550-002	106	Disc	16.50" x 7.00"	10.59"	7.75"	9.00"	11.25"	10	.81"	
03-122562-002	72	Disc	15.00" x 5.00"	7.99"	5.72"	6.44"	8.75"	6	.84"	
03-122600-002	106	Spoke	16.50" x 7.00"	7.94"	7.31"	11.00"	12.75"	5/6	.66"	
03-122607-002	117	Disc	16.50" x 7.00"	10.63"	7.82"	8.53"	11.25"	10	.81"	
03-122683-002	106	Spoke	16.50" x 7.00"	8.45"	7.39"	11.25"	12.75"	5/6	.78/.78"	
03-122806-002	96	Disc	15.00" x 7.00"	10.92"	7.50"	6.45"	8.75"	6	.81"	
03-122921-002	84	Disc	15.00" x 4.00"	8.98"	5.09"	8.75"	11.25"	10	.81"	
03-122925-002	109	Spoke	16.50" x 7.00"	8.03"	7.44"	14.25"	12.75"	5	.78"	
03-122947-002	61	Spoke	15.00" x 4.00"	5.60"	4.68"	11.00"	12.75"	6	.78"	
03-122948-002	116	Disc	16.50" x 7.00"	10.31"	7.64"	9.00"	11.25"	10	.81"	

# DRUM NUMERICAL LISTING

## CAST BRAKE DRUMS - NON-BALANCED

PART NO.	WT.	WHEEL TYPE	BRAKE SIZE	OVER-ALL DEPTH	BRAKE SUR-FACE WIDTH	PILOT DIA.	BOLT HOLES			COMMENTS
							BOLT CIRCLE DIA.	NO.	SIZE	
03-122963-002	66	Spoke	12.25" x 7.50"	8.81"	8.00"	8.50"	10.00"	6/6	.66/.66"	
03-122964-002	61	Spoke	15.00" x 4.00"	5.56"	4.69"	11.00"	12.75"	5	.78"	
03-122966-002	96	Disc	16.50" x 5.00"	9.63"	5.74"	8.75"	11.25"	10	.81"	
03-122971-002	82	Spoke	12.25" x 7.50"	9.00"	7.88"	7.00"	8.25"	6/6	.53/.66"	
03-122978-002	112	Disc	16.50" x 7.00"	10.63"	7.82"	8.53"	11.25"	10	.81"	Outboard mount; hub requires a .25" x 450 chamfer - do not substitute 03-122607
03-123020-002	69	Disc	15.00" x 4.00"	7.84"	4.44"	8.78"	11.25"	10	1.27"	Uni-mount version of 03-120981
03-123024-002	82	Disc	15.00" x 4.00"	8.87"	4.53"	11.25"	13.19"	10	.94"	335mm Bolt Circle for use with hub piloted systems only
03-123025-002	122	Disc	16.50" x 7.00"	10.59"	7.75"	11.25"	13.19"	10	.94"	335mm Bolt Circle for use with hub piloted systems only
03-123200-002	109	Spoke	16.50" x 7.00"	8.65"	7.65"	10.50"	12.75"	6	.78"	
03-123207-002	112	Disc	16.50" x 7.00"	10.54"	7.46"	8.78"	11.25"	10	1.02"	Outboard mount
03-123219-002	90	Disc	16.50" x 5.00"	9.16"	5.54"	11.25"	13.19"	10	.94"	335mm Bolt Circle for use with hub piloted systems only
03-123382-002	79	Disc	15.00" x 4.00"	8.79"	4.65"	8.78"	11.25"	10	1.25"	
03-123276-002	96	Disc	15.00" x 7.00"	10.92"	7.50"	8.99"	10.83"	8	.84"	275mm Bolt Circle
03-123297-002	123	Disc	16.50" x 7.00"	10.31"	7.63"	9.00"	11.25"	10	.84"	
03-123302-002	109	Disc	16.50" x 6.00"	9.75"	6.63"	11.25"	13.19"	10	.94"	335mm Bolt Circle for use with hub piloted systems only
03-123331-002	84	Disc	15.00" x 6.00"	8.79"	6.75"	8.99"	10.83"	8	.84"	275mm Bolt Circle
03-123332-002	73	Disc	15.00" x 7.00"	8.02"	5.47"	8.99"	10.82"	8	.84"	
03-123365-002	122	Disc	16.50" x 7.00"	10.59"	7.75"	8.78"	11.25"	10	.94"	285.75mm Bolt Circle. Heavy duty version of 03-123207.
03-123366-002	70	Disc	15.00" x 4.00"	8.85"	4.56"	8.78"	11.25"	10	.94"	285.75mm Bolt Circle
03-123382-002	69	Disc	15.00" x 4.00"	8.85"	4.75"	8.78"	11.25"	10	1.28"	Heavy duty version of 03-123420
03-123383-002	63	Disc	16.50" x 5.00"	9.14"	5.50"	8.78"	11.25"	10	1.28"	
03-123396-002	84	Disc	15.00" x 4.00"	8.97"	5.09"	8.78"	11.25"	10	.94"	
03-123397-002	123	Disc	16.50" x 7.00"	10.31"	7.64"	8.78"	11.25"	10	.94"	
03-123398-002	111	Disc	16.50" x 7.00"	9.50"	7.56"	8.44"	11.25"	10	.84"	
03-123399-002	107	Disc	16.50" x 6.00"	9.81"	6.69"	8.78"	11.25"	10	1.28"	

## DRUM NUMERICAL LISTING

### CAST BRAKE DRUMS - NON-BALANCED

PART NO.	WT.	WHEEL TYPE	BRAKE SIZE	OVER-ALL DEPTH	BRAKE SUR-FACE WIDTH	PILOT DIA.	BOLT HOLES			COMMENTS
							BOLT CIRCLE DIA.	NO.	SIZE	
03-123406-002	142	Disc	16.50" x 8.63"	11.98"	9.13"	8.78"	11.25"	10	.94"	Outboard mount; 285.75mm Bolt Circle; heavy duty 03-122513
03-123409-002	123	Disc	16.50" x 7.00"	10.59"	7.75"	9.00"	10.83"	8	.94"	
03-123420-002	75	Disc	15.00" x 4.00"	8.85"	4.66"	8.78"	11.25"	10	1.28"	
03-123421-002	76	Disc	15.00" x 4.00"	8.85"	4.66"	8.78"	11.25"	10	.94"	Heavy Duty 03-123366-002
03-123427-002	142	Disc	16.50" x 6.00"	7.49"	6.69"	11.25"	12.75"	6	.78"	
03-123428-002	142	Disc	16.50" x 8.63"	12.33"	9.48"	8.78"	11.25"	10	.94"	
03-123430-002	105	Spoke	16.50" x 7.00"	8.65"	7.65"	10.50"	12.75"	5/6	.78/.78"	Double-drilled 03-122009 and 03-123200
03-123431-002	65	Spoke	15.00" x 4.00"	5.84"	4.75"	9.25"	11.25"	6	.78"	Similar to 03-122104 except .25" deeper
03-123448-002	74	Disc	15.00" x 4.00"	9.10"	4.65"	8.78"	11.25"	10	1.28"	
03-123466-002	121	Disc	15.00" x 8.63"	12.20"	8.83"	8.78"	11.25"	10	.94"	
03-123493-002	90	Disc	15.00" x 6.00"	8.81"	6.75"	8.78"	11.25"	10	.94"	285.75mm Bolt Circle. Axle capacity 15,000 lbs.
03-123500-002	89	Spoke / Disc	16.50" x 5.00"	6.41"	5.44"	10.00"	12.75"	5/6/7	.78"	Double-drilled 03-122266 and 03-122267
03-123520-002	128	Disc	16.50" x 8.00"	11.09"	8.90"	8.78"	11.25"	10	.94"	Axle capacity 23,000 lbs.
03-123538-002	100	Disc	16.50" x 5.00"	8.58"	5.48"	8.78"	11.25"	10	.94"	

# DRUM NUMERICAL LISTING

## STEELLITE X-30 BRAKE DRUMS

PART NO.	WT.	WHEEL TYPE	BRAKE SIZE	OVER-ALL DEPTH	BRAKE SURFACE WIDTH	PILOT DIA.	BOLT CIRCLE DIA.	BOLT HOLES		
								NO.	SIZE	AXLE CAPACITY
53-123535-002	95	Disc	16.50" x 8.00"	10.96"	8.62"	8.78"	285.75mm	10	.94"	23,000 lbs.
53-123537-002	94	Disc	16.50" x 7.00"	10.38"	7.87"	8.78"	285.75mm	10	.94"	23,000 lbs.
53-123542-002	63	Disc	15.00" x 4.00"	8.89"	7.76"	8.78"	285.75mm	10	1.25"	13,200 lbs.
53-123544-002	102	Disc	16.50" x 8.63"	11.04"	9.15"	8.78"	11.25"	10	.93"	23,000 lbs.
53-123564-002	94	Disc	16.50" x 7.00"	10.38"	7.86"	8.53"	11.25"	10	.81"	23,000 lbs.
53-123565-002	93	Disc	16.50" x 7.00"	10.38"	7.86"	9.00"	11.25"	10	.81"	23,000 lbs.
53-123566-002	93	Disc	16.50" x 7.00"	10.38"	7.86"	9.00"	275mm	8	.92"	23,000 lbs.
53-123567-002	63	Disc	15.00" x 4.00"	8.64"	5.11"	8.78"	285.75mm	10	.96"	13,200 lbs.
53-123568-002	64	Disc	15.00" x 4.00"	8.89"	4.76"	8.78"	285.75mm	10	.96"	13,200 lbs.
53-123575-002	64	Disc	15.00" x 4.00"	8.89"	4.76"	8.99"	275mm	8	.94"	13,200 lbs.
53-123579-002	106	Disc	16.50" x 8.63"	12.15"	9.38"	9.00"	275mm	8	.94"	23,000 lbs.
53-123580-002	106	Disc	16.50" x 8.63"	12.15"	9.38"	8.53"	11.25"	10	.81"	23,000 lbs.
53-123581-002	106	Disc	16.50" x 8.63"	12.15"	9.38"	8.78"	285.75mm	10	.94"	23,000 lbs.
53-123582-002	91	Disc	16.50" x 7.00"	10.04"	7.27"	8.53"	11.25"	10	.81"	23,000 lbs.
53-123583-002	89	Disc	16.50" x 7.00"	10.04"	7.27"	8.78"	285.75mm	10	.94"	23,000 lbs.
53-123588-002	79	Disc	16.50" x 5.00"	9.22"	5.82"	9.00"	275mm	8	.94"	14,600 lbs.
53-123589-002	79	Disc	16.50" x 5.00"	9.22"	5.82"	8.78"	11.25"	10	1.28"	14,600 lbs.
53-123590-002	79	Disc	16.50" x 5.00"	9.22"	5.82"	8.53"	11.25"	10	1.28"	14,600 lbs.
53-123598-002	70	Disc	15.00" x 5.00"	9.53"	5.81"	8.78"	11.25"	10	1.28"	14,000 lbs.
53-123601-002	91	Disc	15.00" x 8.63"	11.44"	9.11"	8.78"	285.75mm	10	.94"	20,000 lbs.
53-123602-002	91	Disc	15.00" x 8.63"	11.44"	9.11"	9.00"	275mm	8	.94"	20,000 lbs.
53-123605-002	77	Disc	16.50" x 5.00"	8.59"	5.87"	8.53"	11.25"	10	1.28"	14,600 lbs.
53-123606-002	77	Disc	16.50" x 5.00"	8.59"	5.87"	8.78"	11.25"	10	1.28"	14,600 lbs.
53-123607-002	87	Disc	16.50" x 6.00"	9.62"	6.68"	8.78"	285.75mm	10	.94"	20,000 lbs.
53-123608-002	87	Disc	16.50" x 6.00"	9.62"	6.68"	8.78"	11.25"	10	1.28"	20,000 lbs.
53-123609-002	93	Disc	15.00" x 4.00"	8.89"	4.57"	8.53"	11.25"	10	1.28"	
53-123627-002	86	Disc	16.50" x 5.00"	8.79"	5.11"	8.78"	11.25"	10	1.28"	

## DRUM NUMERICAL LISTING

### CAST BRAKE DRUMS — BALANCED — MACHINE-TO-BALANCE (MTB)

PART NO.	WT.	WHEEL TYPE	BRAKE SIZE	OVER-ALL DEPTH	BRAKE SURFACE WIDTH	PILOT DIA.	BOLT HOLES			COMMENTS
							BOLT CIRCLE DIA.	NO.	SIZE	
85-120516-002	78	Spoke	15.00" x 6.00"	7.09"	6.50"	9.44"	11.00"	5	.66"	
85-120586-002	115	Spoke	16.50" x 7.00"	8.75"	7.50"	9.50"	11.25"	5/6	.66"	
85-120855-002	92	Spoke	16.50" x 5.00"	6.12"	5.37"	9.25"	11.25"	6	.78"	
85-120877-002	115	Disc	16.50" x 7.00"	10.69"	7.53"	9.44"	11.25"	10	.84"	
85-122009-002	104	Spoke	16.50" x 7.00"	8.65"	7.65"	10.50"	12.75"	5	.78"	
85-122011-002	89	Spoke	15.00" x 7.00"	8.51"	7.36"	10.50"	12.75"	5	.78"	
85-122103-002	118	Spoke	16.50" x 7.00"	8.75"	7.50"	9.50"	11.25"	5	.78"	
85-122266-002	89	Spoke	16.50" x 5.00"	6.41"	5.44"	10.00"	12.75"	6	.78"	
85-122505-002	73	Spoke	15.00" x 4.00"	7.90"	4.50"	9.44"	11.25"	10	.81"	
85-122518-002	102	Disc	16.50" x 7.00"	8.75"	7.50"	9.50"	11.25"	10	.81"	
85-122550-002	106	Disc	16.50" x 7.00"	10.59"	7.75"	9.00"	11.25"	10	.81"	
85-122600-002	107	Spoke	16.50" x 7.00"	7.94"	7.31"	11.00"	12.75"	5/6	.66/.66"	
85-122683-002	106	Spoke	16.50" x 7.00"	8.45"	7.39"	11.25"	12.75"	5/6	.78/.78"	
85-122921-002	84	Disc	15.00" x 4.00"	8.98"	5.09"	8.75"	11.25"	10	.81"	
85-122947-002	61	Spoke	15.00" x 4.00"	5.60"	4.68"	11.00"	12.75"	6	.78"	
85-122948-002	116	Disc	16.50" x 7.00"	10.31"	7.64"	9.00"	11.25"	10	.81"	
85-122954-002	79	Spoke	16.50" x 5.00"	6.57"	6.01"	11.00"	12.75"	6	.78"	
85-122964-002	61	Spoke	15.00" x 4.00"	5.56"	4.69"	11.00"	12.75"	5	.78"	
85-122966-002	96	Disc	16.50" x 5.00"	9.63"	5.74"	8.75"	11.25"	10	.81"	
85-123200-002	109	Spoke	16.50" x 7.00"	8.65"	7.65"	10.50"	12.75"	6	.78"	
85-123203-002	90	Spoke	15.00" x 7.00"	8.51"	7.36"	10.50"	12.75"	6	.78"	
85-123207-002	111	Disc	16.50" x 7.00"	10.54"	7.46"	8.78"	11.25"	10	1.02"	
85-123382-002	69	Disc	15.00" x 4.00"	8.85"	4.46"	8.78"	11.25"	10	1.28"	
85-123276-002	96	Disc	15.00" x 7.00"	10.92"	7.50"	8.99"	11.25"	8	.84"	275MM Bolt Circle
85-123297-002	119	Disc	16.50" x 7.00"	10.31"	7.64"	9.00"	11.25"	10	.85"	
85-123331-002	85	Disc	15.00" x 6.00"	8.79"	6.75"	8.99"	10.83"	8	.84"	275mm Bolt Circle
85-123332-002	71	Disc	15.00" x 5.00"	8.02"	5.47"	8.99"	10.83"	8	.84"	275mm Bolt Circle
85-123345-002	68	Disc	15.00" x 4.00"	8.76"	4.64"	8.99"	10.83"	8	.84"	Ford application
85-123348-002	104	Spoke	16.50" x 7.00"	10.92"	7.75"	8.99"	10.83"	8	.84"	
85-123365-002	122	Disc	16.50" x 7.00"	10.59"	7.75"	8.78"	11.25"	10	.94"	285.75mm Bolt Circle. Heavy duty version of 85-123203
85-123366-002	70	Disc	15.00" x 4.00"	8.85"	4.56"	8.78"	11.25"	10	.94"	285.75mm Bolt Circle
85-123370-002	114	Disc	16.50" x 5.00"	9.14"	5.50"	8.78"	11.25"	10	.94"	

# DRUM NUMERICAL LISTING

## CAST BRAKE DRUMS — BALANCED — MACHINE-TO-BALANCE (MTB)

PART NO.	WT.	WHEEL TYPE	BRAKE SIZE	OVER-ALL DEPTH	BRAKE SURFACE WIDTH	PILOT DIA.	BOLT HOLES			COMMENTS
							BOLT CIRCLE DIA.	NO.	SIZE	
85-123382-002	67	Disc	15.00" x 4.00"	8.85"	4.75"	8.78"	11.25"	10	1.28"	
85-123383-002	100	Disc	16.50" x 5.00"	9.14"	5.50"	8.78"	11.25"	10	1.28"	
85-123396-002	84	Disc	15.00" x 4.00"	8.97"	5.09"	8.78"	11.25"	10	.94"	
85-123397-002	116	Disc	16.50" x 7.00"	10.31"	7.63"	8.78"	11.25"	10	.94"	
85-123399-002		Disc	16.50" x 6.00"	9.81"	6.69"	8.78"	11.25"	10	1.28"	
85-123400-002	105	Disc	16.50" x 6.00"	9.81"	6.69"	8.78"	11.25"	10	.94"	285.75mm Bolt Circle
85-123406-002	142	Disc	16.50" x 8.63"	11.98"	9.13"	8.78"	11.25"	10	.94"	Outboard mount; 285.75mm Bolt Circle; heavy duty 03-122513
85-123409-002	123	Disc	16.50" x 7.00"	10.59"	7.75"	9.00"	10.83"	8	.94"	275mm Bolt Circle
85-123420-002	98	Disc	15.00" x 4.00"	8.85"	4.66"	8.78"	11.25"	10	1.28"	
85-123421-002	76	Disc	15.00" x 4.00"	8.85"	4.66"	8.78"	11.25"	10	.94"	Heavy Duty 03-123366-002
85-123427-002	93	Spoke	16.50" x 6.00"	7.49"	6.69"	11.25"	12.75"	6	.78"	
85-123428-002	142	Disc	16.50" x 8.63"	12.33"	9.48"	8.78"	11.25"	10	.94"	
85-123431-002	65	Spoke	15.00" x 4.00"	5.84"	4.75"	9.25"	11.25"	6	.78"	
85-123448-002	107	Disc	15.00" x 4.00"	9.10"	4.65"	8.78"	11.25"	10	1.28"	
85-123463-002	97	Disc	16.50" x 5.00"	9.63"	5.74"	8.78"	11.25"	10	.94"	GMC application
85-123465-002	90	Disc	15.00" x 5.00"	10.08"	6.34"	8.78"	11.25"	10	.94"	
85-123466-002	121	Disc	15.00" x 8.63"	12.20"	9.58"	8.78"	11.25"	10	.94"	
85-123520-002	124	Disc	16.50" x 8.00"	11.09"	8.91"	8.78"	11.25"	10	.94"	Axle capacity 23,000 lbs.
85-123548-002	110	Disc	15.00" x 7.00"	10.18"	7.56"	8.70"	10.83"	8	.85"	275mm Bolt Circle
85-123553-002	90	Disc	15.00" x 4.00"	9.07"	4.72"	11.06"	13.19"	10	1.02"	335mm Bolt Circle
85-123556-002	123	Disc	16.50" x 6.00"	9.51"	6.61"	8.78"	11.25"	10	.94"	
85-123561-002	115	Disc	16.50" x 6.00"	9.44"	11.25"	11.25"	13.19"	10	.94"	
85-123569-002	85	Disc	16.50" x 6.00"	9.91"	6.88"	9.14"	11.25"	10	1.33"	
85-123570-002	138	Disc	16.50" x 8.63"	11.25"	9.11"	8.78"	11.25"	10	.94"	
85-123650-002	122	Disc	16.50" x 6.00"	9.51"	6.61"	8.78"	11.25"	10	1.28"	
85-123651-002		Disc	16.50" x 6.00"	9.73"	6.61"	8.78"	11.25"	10	1.28"	
85-123652-002	123	Disc	16.50" x 7.00"	10.54"	7.60"	8.78"	11.25"	10	1.00"	
85-123657-002	128	Disc	16.50" x 6.00"	9.88"	6.98"	8.78"	11.25"	10	.94"	
85-123660-002	100		16.50" x 6.00"	9.52"	6.07"	8.78"	11.25"	10	.94"	
85-123681-002	85	Disc	15.00" x 6.00"	9.32"	6.29"	8.78"	11.25"	10	1.28"	



## DRUMS BY BRAKE SIZE

OVERALL DEPTH	BRAKE SURFACE WIDTH	PILOT DIA.	BOLT CIRCLE DIA.	BOLT HOLES		WEIGHT	PART NO.	WHEEL TYPE
				NO.	SIZE			
<b>12.25" X 5.50"</b>								
7.44"	6.53"	8.50"	10.00"	6/6	.66/.66"	54	03-122488-002	Spoke
<b>12.25" X 7.50"</b>								
8.81"	8.00"	8.50"	10.00"	6	.66"	62	03-120822-002	Spoke
8.81"	8.00"	8.50"	10.00"	6/6	.66/.66"	66	03-122963-002	Spoke
9.00"	7.88"	7.00"	8.25"	6/6	.53/.66"	82	03-122971-002	Spoke
<b>15.00" X 3.00"</b>								
4.13"	3.56"	10.00"	11.00"	5	.53"	37	03-120705-002	Spoke
4.69"	3.50"	6.45"	8.00"	5	.66"	45	03-122314-002	Spoke
<b>15.00" X 4.00"</b>								
5.56"	4.69"	11.00"	12.75"	5	.78"	61	03-122964-002	Spoke
5.56"	4.69"	11.00"	12.75"	5	.78"	61	85-122964-002	Spoke
5.60"	4.68"	11.00"	12.75"	6	.78"	61	85-122947-002	Spoke
5.60"	4.68"	11.00"	12.75"	6	.78"	61	03-122947-002	Spoke
5.84"	4.54"	9.25"	11.25"	6	.78"	64	03-122104-002	Spoke
5.84"	4.75"	9.25"	11.25"	6	.78"	65	03-123431-002	Spoke
5.84"	4.75"	9.25"	11.25"	6	.78"	65	85-123431-002	Spoke
6.41"	4.66"	6.25"	8.75"	6	.84"	57	03-120566-002	Disc
7.84"	4.44"	8.66"	11.25"	10	1.27"	76	03-120981-002	Disc
7.84"	4.44"	8.78"	11.25"	10	1.27"	69	03-123020-002	Disc
7.90"	4.50"	9.44"	11.25"	10	.81"	73	85-122505-002	Spoke
8.60"	4.86"	8.78"	285.75mm	10	1.25"	62	53-123512-002	Disc
8.64"	5.11"	8.78"	285.75mm	10	.96"	63	53-123567-002	Disc
8.76"	4.64"	8.99"	10.83"	8	.84"	68	85-123345-002	Disc
8.79"	4.65"	8.78"	11.25"	10	1.25"	79	03-123382-002	Disc
8.85"	4.46"	8.78"	11.25"	10	1.28"	69	85-123382-002	Disc
8.85"	4.56"	8.78"	11.25"	10	.94"	70	03-123366-002	Disc
8.85"	4.56"	8.78"	11.25"	10	.94"	70	85-123366-002	Disc
8.85"	4.66"	8.78"	11.25"	10	.94"	76	85-123421-002	Disc
8.85"	4.66"	8.78"	11.25"	10	.94"	76	03-123421-002	Disc
8.85"	4.66"	8.78"	11.25"	10	1.28"	75	03-123420-002	Disc
8.85"	4.66"	8.78"	11.25"	10	1.28"	98	85-123420-002	Disc
8.85"	4.75"	8.78"	11.25"	10	1.28"	67	85-123382-002	Disc
8.85"	4.75"	8.78"	11.25"	10	1.28"	69	03-123382-002	Disc
8.87"	4.53"	11.25"	13.19"	10	.94"	82	03-123024-002	Disc
8.89"	4.57"	8.53"	11.25"	10	1.28"	93	53-123609-002	Disc
8.89"	4.76"	8.78"	285.75mm	10	.96"	64	53-123568-002	Disc
8.89"	4.76"	8.99"	275mm	8	.94"	64	53-123575-002	Disc

## DRUMS BY BRAKE SIZE

OVERALL DEPTH	BRAKE SURFACE WIDTH	PILOT DIA.	BOLT CIRCLE DIA.	BOLT HOLES		WEIGHT	PART NO.	WHEEL TYPE
				NO.	SIZE			
<b>15.00" X 4.00" (continued)</b>								
8.89"	7.76"	8.78"	285.75mm	10	1.25"	63	53-123542-002	Disc
8.97"	5.09"	8.78"	11.25"	10	.94"	84	03-123396-002	Disc
8.97"	5.09"	8.78"	11.25"	10	.94"	84	85-123396-002	Disc
8.98"	5.09"	8.75"	11.25"	10	.81"	84	03-122921-002	Disc
8.98"	5.09"	8.75"	11.25"	10	.81"	84	85-122921-002	Disc
9.07"	4.72	11.06"	13.19"	10	1.02"	90	85-123553-002	Disc
9.10"	4.65"	8.78"	11.25"	10	1.28"	74	03-123448-002	Disc
9.10"	4.65"	8.78"	11.25"	10	1.28"	107	85-123448-002	Disc
<b>15.00" X 5.00"</b>								
7.99"	5.72"	6.44"	8.75"	6	.84"	72	03-122562-002	Disc
8.02"	5.47"	8.99"	10.83"	8	.84"	71	85-123332-002	Disc
9.53"	5.81"	8.78"	11.25"	10	1.28"	70	53-123598-002	Disc
10.08"	6.34"	8.78"	11.25"	10	.94"	90	85-123465-002	Disc
<b>15.00" X 6.00"</b>								
7.09"	6.50"	9.44"	11.00"	5	.66"	83	03-120516-002	Spoke
7.09"	6.50"	9.44"	11.00"	5	.66"	78	85-120516-002	Spoke
8.79"	6.75"	8.99"	10.83"	8	.84"	84	03-123331-002	Disc
8.79"	6.75"	8.99"	10.83"	8	.84"	85	85-123331-002	Disc
8.81"	6.75"	8.78"	11.25"	10	.94"	90	03-123493-002	Disc
9.32"	6.29"	8.78"	11.25"	10	1.28"	85	85-123681-002	Disc
<b>15.00" X 7.00"</b>								
8.02"	5.47"	8.99"	10.82"	8	.84"	73	03-123332-002	Disc
8.51"	7.36"	10.50"	12.75"	6	.78"	90	85-123203-002	Spoke
8.51"	7.36"	10.50"	12.75"	5	.78"	89	03-122011-002	Spoke
8.51"	7.36"	10.50"	12.75"	5	.78"	89	85-122011-002	Spoke
10.18"	7.56"	8.70"	10.83"	8	.85"	110	85-123548-002	Disc
10.92"	7.50"	6.45"	8.75"	6	.81"	96	03-122806-002	Disc
10.92"	7.50"	8.99"	11.25"	8	.84"	96	85-123276-002	Disc
10.92"	7.50"	8.99"	10.83"	8	.84"	96	03-123276-002	Disc
<b>15.00" X 8.63"</b>								
11.44"	9.11"	8.78"	285.75mm	10	.94"	91	53-123601-002	Disc
11.44"	9.11"	9.00"	275mm	8	.94"	91	53-123602-002	Disc
12.20"	8.83"	8.78"	11.25"	10	.94"	121	03-123466-002	Disc
12.20"	9.58"	8.78"	11.25"	10	.94"	121	85-123466-002	Disc

## DRUMS BY BRAKE SIZE

OVERALL DEPTH	BRAKE SURFACE WIDTH	PILOT DIA.	BOLT HOLES				WEIGHT	PART NO.	WHEEL TYPE
			BOLT CIRCLE DIA.	NO.	SIZE				
<b>16.50" X 5.00"</b>									
6.12"	5.37"	9.25"	11.25"	6	.78"	92	85-120855-002	Spoke	
6.12"	5.37"	9.25"	11.25"	6	.78"	92	03-120855-002	Spoke	
6.41"	5.44"	10.00"	12.75"	6	.78"	89	85-122266-002	Spoke	
6.41"	5.44"	10.00"	12.75"	5/6/7	.78"	89	03-123500-002	Spoke /Disc	
6.57"	6.01"	11.00"	12.75"	6	.78"	79	85-122954-002	Spoke	
8.58"	5.48"	8.66"	11.25"	10	1.27"	86	03-120988-002	Disc	
8.58"	5.48"	8.78"	11.25"	10	.94"	100	03-123538-002	Disc	
8.59"	5.87"	8.53"	11.25"	10	1.28"	77	53-123605-002	Disc	
8.59"	5.87"	8.78"	11.25"	10	1.28"	77	53-123606-002	Disc	
8.79"	5.11"	8.78"	11.25"	10	1.28"	86	53-123627-002	Disc	
9.14"	5.50"	8.78"	11.25"	10	1.28"	63	03-123383-002	Disc	
9.14"	5.50"	8.78"	11.25"	10	.94"	114	85-123370-002	Disc	
9.14"	5.50"	8.78"	11.25"	10	1.28"	100	85-123383-002	Disc	
9.16"	5.54"	11.25"	13.19"	10	.94"	90	03-123219-002	Disc	
9.16"	5.54"	11.25"	13.19"	10	.94"	90	13-123219-002	Disc	
9.22"	5.82"	8.53"	11.25"	10	1.28"	79	53-123590-002	Disc	
9.22"	5.82"	8.78"	11.25"	10	1.28"	79	53-123589-002	Disc	
9.22"	5.82"	9.00"	275mm	8	.94"	79	53-123588-002	Disc	
9.63"	5.74"	8.75"	11.25"	10	.81"	96	85-122966-002	Disc	
9.63"	5.74"	8.75"	11.25"	10	.81"	96	03-122966-002	Disc	
9.63"	5.74"	8.78"	11.25"	10	.94"	97	85-123463-002	Disc	
<b>16.50" X 6.00"</b>									
7.49"	6.69"	11.25"	12.75"	6	.78"	93	85-123427-002	Spoke	
7.49"	6.69"	11.25"	12.75"	6	.78"	142	03-123427-002	Disc	
9.44"	6.55"	11.25"	13.19"	10	.94"		85-123651-002	Disc	
9.51"	6.61"	8.78"	11.25"	10	.94"	123	85-123556-002	Disc	
9.51"	6.61"	8.78"	11.25"	10	1.28"	122	85-123650-002	Disc	
9.52"	6.07"	8.78"	11.25"	10	.94"	100	85-123660-002		
9.62"	6.68"	8.78"	285.75mm	10	.94"	87	53-123607-002	Disc	
9.62"	6.68"	8.78"	11.25"	10	1.28"	87	53-123608-002	Disc	
9.75"	6.63"	11.25"	13.19"	10	.94"	109	03-123302-002	Disc	
9.75"	6.63"	11.25"	13.19"	10	.94"	113	13-123302-002	Disc	
9.81"	6.69"	8.78"	11.25"	10	1.28"	107	03-123399-002	Disc	
9.81"	6.69"	8.78"	11.25"	10	1.28"		85-123399-002	Disc	
9.81"	6.69"	8.78"	11.25"	10	.94"	105	85-123400-002	Disc	
9.83"	6.82"	11.71"	13.73"	10	.98"	115	85-123561-002	Disc	
9.88"	6.98"	8.78"	11.25"	10	.94"	128	85-123657-002	Disc	
9.91"	6.88"	9.14"	11.25"	10	1.33"	85	85-123569-002	Disc	

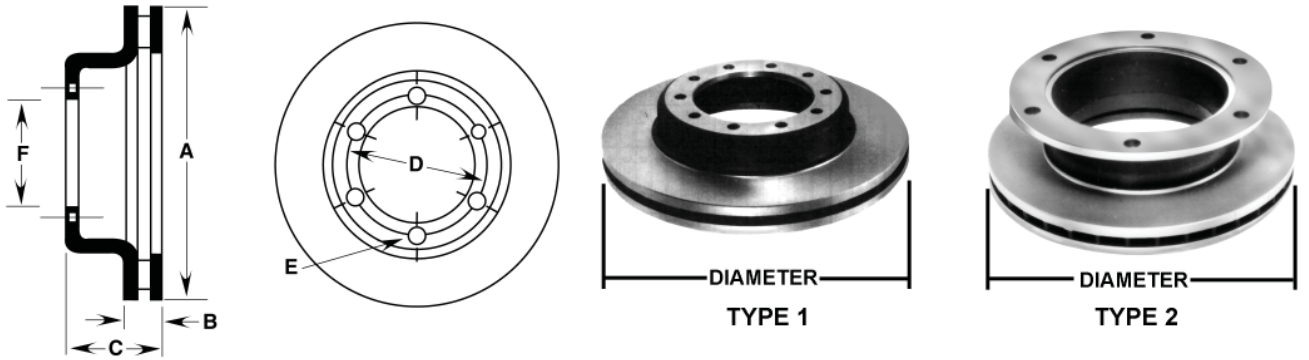
## DRUMS BY BRAKE SIZE

OVERALL DEPTH	BRAKE SURFACE WIDTH	PILOT DIA.	BOLT CIRCLE DIA.	BOLT HOLES			PART NO.	WHEEL TYPE
				NO.	SIZE	WEIGHT		
<b>16.50" X 7.00"</b>								
7.94"	7.31"	11.00"	12.75"	6	.66"	99	03-120743-002	Spoke
7.94"	7.31"	11.00"	12.75"	5/6	.66/.66"	107	85-122600-002	Spoke
7.94"	7.31"	11.00"	12.75"	5/6	.66"	106	03-122600-002	Spoke
8.03"	7.44"	14.25"	12.75"	5	.78"	109	03-122925-002	Spoke
8.41"	7.63"	9.44"	11.00"	5/6	.78/.66"	108	03-122222-002	Spoke
8.44"	7.38"	11.00"	12.50"	5/6	.66/.66"	103	03-120754-002	Spoke
8.45"	7.39"	11.25"	12.75"	5/6	.78/.78"	106	03-122683-002	Spoke
8.45"	7.39"	11.25"	12.75"	5/6	.78/.78"	106	85-122683-002	Spoke
8.65"	7.50"	11.00"	12.50"	5	.66"	106	03-120442-002	Spoke
8.65"	7.65"	10.50"	12.75"	5/6	.78/.78"	105	03-123430-002	Spoke
8.65"	7.65"	10.50"	12.75"	5	.78"	104	85-122009-002	Spoke
8.65"	7.65"	10.50"	12.75"	6	.78"	109	85-123200-002	Spoke
8.65"	7.65"	10.50"	12.75"	6	.78"	109	03-123200-002	Spoke
8.65"	7.65"	10.50"	12.75"	5	.78"	105	03-122009-002	Spoke
8.72"	7.56"	11.25"	12.75"	5	.78"	103	03-120574-002	Spoke
8.75"	7.50"	9.50"	11.25"	10	.84"	117	03-122126-002	Spoke/Disc
8.75"	7.50"	9.50"	11.25"	6	.66"	115	85-120586-002	Spoke
8.75"	7.50"	9.50"	11.25"	5/6	.78/.66"	116	03-120586-002	Spoke
8.75"	7.50"	9.50"	11.25"	10	.81"	102	03-122518-002	Disc
8.75"	7.50"	9.50"	11.25"	5	.78"	118	85-122103-002	Spoke
8.75"	7.50"	9.50"	11.25"	10	.81"	102	85-122518-002	Disc
8.94"	7.63"	9.50"	11.25"	5	.78"	120	03-122027-002	Spoke
8.94"	7.63"	9.50"	11.25"	10	.84"	119	03-122239-002	Disc
9.00"	7.60"	11.25"	12.75"	6	.66"	112	03-012480-002	Spoke
9.50"	7.56"	8.44"	11.25"	10	.84"	111	03-123398-002	Disc
9.50"	7.56"	9.44"	11.25"	10	.84"	118	03-012582-002	Disc
10.04"	7.27"	8.53"	11.25"	10	.81"	91	53-123582-002	Disc
10.04"	7.27"	8.78"	285.75mm	10	.94"	89	53-123583-002	Disc
10.31"	7.63"	8.78"	11.25"	10	.94"	116	85-123397-002	Disc
10.31"	7.63"	9.00"	11.25"	10	.84"	123	03-123297-002	Disc
10.31"	7.64"	8.78"	11.25"	10	.94"	123	03-123397-002	Disc
10.31"	7.64"	9.00"	11.25"	10	.85"	119	85-123297-002	Disc
10.31"	7.64"	9.00"	11.25"	10	.81"	116	85-122948-002	Disc
10.31"	7.64"	9.00"	11.25"	10	.81"	116	03-122948-002	Disc
10.38"	7.44"	8.53"	11.25"	10	.81"	112	03-122453-002	Disc
10.38"	7.86"	8.53"	11.25"	10	.81"	94	53-123564-002	Disc
10.38"	7.86"	9.00"	11.25"	10	.81"	93	53-123565-002	Disc
10.38"	7.86"	9.00"	275mm	8	.92"	93	53-123566-002	Disc
10.38"	7.87"	8.78"	285.75mm	10	.94"	94	53-123537-002	Disc
10.54"	7.46"	8.78"	11.25"	10	1.02"	112	03-123207-002	Disc
10.54"	7.46"	8.78"	11.25"	10	1.02"	111	85-123207-002	Disc

## DRUMS BY BRAKE SIZE

OVERALL DEPTH	BRAKE SURFACE WIDTH	PILOT DIA.	BOLT CIRCLE DIA.	BOLT HOLES		WEIGHT	PART NO.	WHEEL TYPE
				NO.	SIZE			
<b>16.50" X 7.00" (continued)</b>								
10.54"	7.60"	8.78"	11.25"	10	1.00"	123	85-123652-002	Disc
10.59"	7.75"	8.78"	11.25"	10	.94"	122	85-123365-002	Disc
10.59"	7.75"	8.78"	11.25"	10	.94"	122	03-123365-002	Disc
10.59"	7.75"	9.00"	11.25"	10	.81"	106	85-122550-002	Disc
10.59"	7.75"	9.00"	10.83"	8	.94"	123	85-123409-002	Disc
10.59"	7.75"	9.00"	10.83"	8	.94"	123	03-123409-002	Disc
10.59"	7.75"	9.00"	11.25"	10	.81"	106	03-122550-002	Disc
10.59"	7.75"	11.25"	13.19"	10	.94"	122	03-123025-002	Disc
10.63"	7.82"	8.53"	11.25"	10	.81"	112	03-122978-002	Disc
10.63"	7.82"	8.53"	11.25"	10	.81"	117	03-122607-002	Disc
10.69"	7.53"	9.44"	11.25"	10	.84"	115	85-120877-002	Disc
10.69"	7.53"	9.44"	11.25"	10	.84"	115	03-120877-002	Disc
10.92"	7.75"	8.99"	10.83"	8	.84"	104	85-123348-002	Spoke
<b>16.50" X 8.00"</b>								
10.96"	8.62"	8.78"	285.75mm	10	.94"	95	53-123535-002	Disc
11.09"	8.90"	8.78"	11.25"	10	.94"	128	03-123520-002	Disc
11.09"	8.91"	8.78"	11.25"	10	.94"	124	85-123520-002	Disc
<b>16.50" X 8.63"</b>								
10.25"	9.22"	9.50"	11.25"	10	.84"	131	03-120376-002	Spoke/Disc
11.04"	9.15"	8.78"	11.25"	10	.93"	102	53-123544-002	Disc
11.16"	9.06"	9.44"	11.25"	10	.81"	127	03-120882-002	Disc
11.25"	9.11"	8.78"	11.25"	10	.94"	138	85-123570-002	Disc
11.98"	9.13"	8.78"	11.25"	10	.94"	142	03-123406-002	Disc
11.98"	9.13"	8.78"	11.25"	10	.94"	142	85-123406-002	Disc
12.15"	9.38"	8.53"	11.25"	10	.81"	106	53-123580-002	Disc
12.15"	9.38"	8.78"	285.75mm	10	.94"	106	53-123581-002	Disc
12.15"	9.38"	9.00"	275mm	8	.94"	106	53-123579-002	Disc
12.33"	9.48"	8.78"	11.25"	10	.94"	142	03-123428-002	Disc
12.33"	9.48"	8.78"	11.25"	10	.94"	142	85-123428-002	Disc
<b>18.00" X 7.00"</b>								
8.25"	7.44"	11.00"	12.75"	6	.66"	132	03-120936-002	Spoke
9.25"	8.00"	11.25"	12.75"	6	.66"	135	03-012488-002	Spoke

# MEDIUM-DUTY HYDRAULIC DISC BRAKE ROTORS NUMERICAL LISTING



MERITOR PART NO.	EUCLID PART NO.	ROTOR TYPE	MIN. DISC DIA. "A"	DISC THICKNESS "B"		OVERALL ROTOR DEPTH "C"	BOLT CIRCLE "D"	BOLT HOLES "E"		PILOT DIA. "F"	COMMENTS
				NEW	DISCARD / MIN. WEAR			DIA.	NO.		
23-122527-002	E-4231	2	15.000	1.440	1.320	6.800	8.750	0.812	6	7.000	
23-122691-002	E-4228	2	15.380	1.540	1.415	4.763	11.250	0.781	6	9.251	
23-122693-002	E-4246	2	15.380	1.540	1.415	6.220	11.250	0.812	10	9.499	Gunite D6059
23-122700-002	E-4227	1	14.750	1.350	1.225	3.810	7.250	0.781	6	5.401	For ABS use 23-123480-002
23-122701-002	E-4232	2	15.000	1.430	1.320	4.496	11.250	0.656	5	9.187	
23-122703-002	E-4233	2	15.380	1.540	1.415	6.070	11.250	0.840	10	8.688	
23-122897-002	E-4247	1	15.000	1.435	1.320	4.440	7.250	0.578	10	6.001	For ABS use 23-123552-009
23-123041-002	E-9807	1	14.250	1.440	1.320	2.980	6.000	0.594	5	4.600	
23-123046-002	E-9808	1	14.250	1.440	1.320	2.980	6.000	0.531	6	4.600	GMC 15579754
23-123296-002	E-9809	1	14.750	1.350	1.225	3.810	7.250	0.591	10	6.000	For ABS use 23-123495-002
23-123433-002	E-11327	2	15.380	1.435	1.320	6.206	11.250	0.812	10	9.499	GM Applications
23-123439-002	E-11306	1	14.750	1.350	1.225	3.810	7.250	0.781	10	6.000	Ford F4HZ1125A
23-123458-002	E-11309	1	15.380	1.540	1.415	3.400	7.250	0.656	10	6.000	
23-123460-002	E-11321	1	14.750	1.350	1.225	3.810	7.250	0.781	6	5.750	6 Tapped Holes for ABS Mount
23-123461-002	E-12520	2	15.380	1.540	1.415	7.274	11.250	0.937	10	9.120	
23-123468-002	E-9804	1	14.750	1.350	1.225	3.810	6.750	0.656	6	5.400	For ABS use
23-123480-002	E-11320	1	14.750	1.350	1.225	3.810	7.250	0.781	6	5.400	6 Tapped Holes for ABS Ring Mtg (8.140 Bolt Circle)
23-123480-002	E-11322	1	14.750	1.350	1.225	3.810	6.750	0.656	6	5.400	6 Tapped Holes for ABS Mount
23-123480-002	E-11323	1	14.750	1.350	1.225	3.810	7.250	0.781	6	5.400	6 Tapped Holes for ABS Mount
23-123485-002	E-11307	1	15.380	1.440	1.320	3.400	7.250	0.594	10	6.000	for ABS use 23-123485-002
23-123485-002	E-11125	1	15.380	1.440	1.320	3.400	7.250	0.594	10	6.000	5 Tapped Holes For ABS Ring Mtg (M8x1.25-6H 6.8" B.C.)

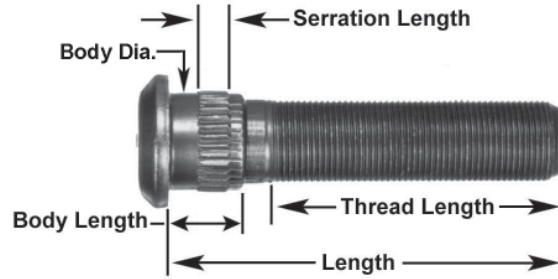
MERITOR PART NO.	EUCLID PART NO.	ROTOR TYPE	DISC THICKNESS "B"			OVERALL ROTOR DEPTH "C"	BOLT CIRCLE "D"	BOLT HOLES "E"		PILOT DIA. "F"	COMMENTS
			MIN. DISC DIA. "A"	NEW	DISCARD / MIN. WEAR			DIA.	NO.		
23-123486-002	E-11310	1	14.750	1.350	1.225	3.810	6.750	0.656	5	5.400	5 Tapped Holes for ABS Mount (Metric)
23-123486-002	E-4229	1	14.930	1.350	1.225	3.820	6.750	0.656	5	5.220	
23-123487-002	E-11324	1	14.750	1.350	1.225	3.810	6.750	0.656	5	5.400	
23-123489-002	E-11308	1	15.380	1.540	1.415	3.400	7.250	0.594	10	6.000	For ABS use 23-123489-002
23-123489-002	E-11311	1	15.380	1.540	1.415	3.400	7.250	0.594	10	6.000	5 Tapped Holes for ABS Mounting GMC Applications
23-123494-002	E-11312	1	14.750	1.350	1.225	3.810	7.250	0.781	6	5.760	New Holland 86514074
23-123495-002	E-11313	1	14.750	1.350	1.225	3.810	7.250	0.594	10	6.000	5 Tapped Holes for ABS Mount
23-123497-002	E-11328	1	14.750	1.350	1.225	3.810				4.501	
23-123498-002	E-12521	1	15.380	1.540	1.415	3.410	7.250	0.656	10	5.964	
23-123522-002		1	15.560	1.500	1.375	4.880	6.430	.50	10	5.120	
23-123527-002	E-11326	1	15.630	1.540	1.415	3.630	7.250	0.656	10	5.964	Ford YC3Z1125AA
23-123547-002		2	17.240	1.750	1.625	5.640	9.823	.63-18 UNF	10	7.630	
23-123550-009		1	15.000	1.440	1.320	3.380	7.250	.594	10	5.780	
23-123552-009	E-12523	1	15.000	1.440	1.320	4.440	7.250	0.594	10	6.001	
23-123557-009	E-12524	1	15.375	1.530	1.410	3.400	7.250	0.594	10	6.001	
23-123572-009	E-6115	1	15.000	1.440	1.320	3.500	6.750	0.781	6	5.401	
23-123573-009	E-6114	1	15.000	1.440	1.320	3.500	6.750	0.781	5	5.400	
23-123574-009	E-12517	2	15.375	1.540	1.415	7.600	11.250	0.937	10	9.120	
23-123615-002		2	16.535	1.768	1.630	6.285	10.500	.63-18 UNF	10	8.500	
23-123618-002	E-12513	2	11.960	1.180	1.035	6.050	7.500	.50-13 UNC	6	6.130	
23-123624-002	E-12515	2	12.756	1.180	1.035	6.325	7.750	.50-13 UNC	8	6.130	
23-123625-002	E-12516	2	12.756	1.180	1.035	4.631	8.000	.50-13 UNC	8	6.502	
23-123626-002	E-12514	2	11.960	1.180	1.035	4.640	7.500	.50-13 UNC	6	6.502	
23-123632-002		2	14.882	1.768	1.630	6.285	10.500	.63-18 UNF	8	8.610	
23-123642-002		2	17.087	1.768	1.630	5.644	10.500	.63-18 UNF	10	8.500	
23-123647-002		2	17.087	1.768	1.630	5.644	9.823	M16x2	10	7.638	
R44141583	E-9805	1	14.750	1.345	1.220	3.813	6.750		6		
R44141627	E-4242	2	15.000	1.430	1.320	5.900	12.750	0.760	5	14.000	
R44141629	E-4240	2	15.000	1.430	1.320	5.050	12.000	0.650	5	13.000	
R44141730	E-9817	1	11.110	1.380	1.270	2.500	136mm	0.500	12		
R44141875	E-9873	2	15.000	1.450	1.320	4.770	11.250	0.780	5	9.000	
R447185	E-7185	2	15.380	1.535	1.410	6.610	13.198	1.047	10	10.950	Ford E6HZ-1125F
R448904	E-8904	2	15.620	1.750	1.630	4.920	12.750	0.780	6	10.000	TH-24 Gunitite Air / Hydraulic

## COMMON MISTAKENLY IDENTIFIED ROTORS

MERITOR PART NO.	EUCLID PART NO.	ROTOR TYPE	MIN. DISC DIA. "A"	DISC THICKNESS "B"		OVER- ALL ROTOR DEPTH "C"	BOLT CIRCLE "D"	BOLT HOLES "E"		PILOT DIA. "F"	COMMENTS
				NEW	DISCARD / MIN. WEAR			DIA.	NO.		
23-122527-002	E-4231	2	15.000	1.440	1.320	6.800	8.750	0.812	6	7.000	
23-122729-002	E-4230	1	15.380	1.540	1.415	3.400	7.250	0.594	10	6.000	
23-123296-002	E-9809	1	14.750	1.350	1.225	3.810	7.250	0.591	10	6.000	For ABS use 23-123495-002
23-123458-002	E-11309	1	15.380	1.540	1.415	3.400	7.250	0.656	10	6.000	
23-123460-002	E-11321	1	14.750	1.350	1.225	3.810	7.250	0.781	6	5.750	6 Tapped Holes for ABS Mounting
23-123468-002	E-9804	1	14.750	1.350	1.225	3.810	6.750	0.656	6	5.400	For ABS use
23-123468-002	E-11322	1	14.750	1.350	1.225	3.810	6.750	0.656	6	5.400	6 Tapped Holes for ABS Mounting
23-123480-002	E-11320	1	14.750	1.350	1.225	3.810	7.250	0.781	6	5.400	6 Tapped Holes For ABS Ring Mtg (8.140 Bolt Circle)
23-123480-002	E-11323	1	14.750	1.350	1.225	3.810	7.250	0.781	6	5.400	6 Tapped Holes for ABS Mounting
23-123485-002	E-11307	1	15.380	1.440	1.320	3.400	7.250	0.594	10	6.000	For ABS use 23-123485-002
23-123485-002	E-11125	1	15.380	1.440	1.320	3.400	7.250	0.594	10	6.000	5 Tapped Holes For ABS Ring Mtg (M8x1.25-6H 6.8" B.C.)
23-123486-002	E-4229	1	14.930	1.350	1.225	3.820	6.750	0.656	5	5.220	
23-123486-002	E-11310	1	14.750	1.350	1.225	3.810	6.750	0.656	5	5.400	5 Tapped Holes for ABS Mounting (Metric)
23-123487-002	E-11324	1	14.750	1.350	1.225	3.810	6.750	0.656	5	5.400	
23-123489-002	E-11308	1	15.380	1.540	1.415	3.400	7.250	0.594	10	6.000	For ABS use 23-123489-002
23-123489-002	E-11311	1	15.380	1.540	1.415	3.400	7.250	0.594	10	6.000	5 Tapped Holes for ABS Mounting GMC Applications
23-123489-002	E-11308	1	15.380	1.540	1.415	3.400	7.250	0.594	10	6.000	For ABS use 23-123489-002
23-123494-002	E-11312	1	14.750	1.350	1.225	3.810	7.250	0.781	6	5.760	New Holland 86514074
23-123495-002	E-11313	1	14.750	1.350	1.225	3.810	7.250	0.594	10	6.000	5 Tapped Holes for ABS Mounting
23-123498-002	E-12521	1	15.380	1.540	1.415	3.410	7.250	0.656	10	5.964	

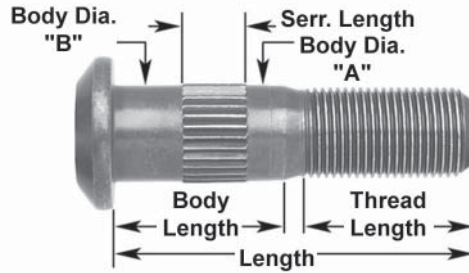


# WHEEL STUDS



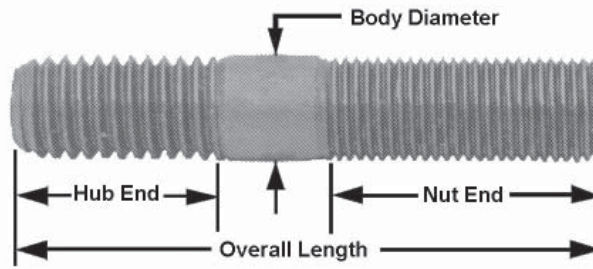
PART NUMBER	THREAD DIRECTION	GRADE	THREAD SIZE	LENGTH	BODY DIAMETER	BODY LENGTH	SERRATION LENGTH	THREAD LENGTH
09-002200	RH	8	.56"-18	2.73"	.65"	.70"	.28"	1.88"
09-001688	RH	8	.56"-18	3.09"	.65"	.68"	.28"	2.06"
09-002048	LH	8	.75"-16	2.13"	.89"	.69"	.50"	1.25"
09-002047	RH	8	.75"-16	2.13"	.89"	.69"	.50"	1.25"
20-X-2552	LH	8	.75"-16	2.76"	.89"	.72"	.38"	1.89"
20-X-2551	RH	8	.75"-16	2.76"	.89"	.72"	.38"	1.89"
R008958L	LH	8	.75"-16	2.88"	.77"	1.50"	.44"	1.19"
R008958R	RH	8	.75"-16	2.88"	.77"	1.50"	.44"	1.19"
09-002173	RH	8	.88"-14	3.35"	1.16"	.88"	.44"	1.50"
09-001926	LH	8	1.13"-16	2.97"	1.22"	1.19"	.45"	1.78"
09-001925	RH	8	1.13"-16	2.97"	1.22"	1.19"	.45"	1.78"
09-002000	LH	8	1.13"-16	3.13"	1.22"	1.19"	.45"	2.06"
09-001999	RH	8	1.13"-16	3.13"	1.22"	1.19"	.45"	2.06"
09-002218	RH	10.9 (Metric)	M14 x 2	2.60"	.60"	.59"	.28"	1.69"
09-002216	RH	10.9 (Metric)	M14 x 1.5	2.75"	.59"	.15"	.28"	1.75"
09-002232	RH	10.9 (Metric)	M14 x 2	2.81"	.88"	.63"	.29"	1.93"
09-002223	RH	10.9 (Metric)	M14 x 2	3.00"	.59"	.25"	.28"	2.25"
09-002233	RH	10.9 (Metric)	M14 x 2	3.44"	.88"	.63"	.29"	2.53"
09-002226	LH	10.9 (Metric)	M20 x 1.5	2.45"	.79"	.63"	.37"	1.65"
09-002225	RH	10.9 (Metric)	M20 x 1.5	2.45"	.79"	.63"	.37"	1.65"
09-001826	RH	10.9 (Metric)	M20 x 1.5	3.11"	.79"	.98"	.38"	2.13"
09-001811	RH	10.9 (Metric)	M20 x 1.5	3.68"	.79"	1.25"	.38"	2.42"
09-001958	RH	10.9 (Metric)	M22 x 1.5	2.75"	.89"	.79"	.38"	1.66"
09-002013	RH	10.9 (Metric)	M22 x 1.5	2.81"	.89"	.88"	.38"	1.67"
09-002184	RH	10.9 (Metric)	M22 x 1.5	2.92"	.90"	.88"	.38"	1.77"
09-002228	RH	10.9 (Metric)	M22 x 1.5	3.21"	.88"	.63"	.38"	2.00"
09-001988	RH	10.9 (Metric)	M22 x 1.5	3.34"	.89"	.88"	.38"	2.23"
09-002002	RH	10.9 (Metric)	M22 x 1.5	3.61"	.89"	.88"	.38"	2.67"
09-001989	RH	10.9 (Metric)	M22 x 1.5	3.72"	.89"	.87"	.38"	2.56"
09-002005	RH	10.9 (Metric)	M22 x 1.5	3.85"	.89"	1.13"	.38"	2.63"
09-001727	RH	10.9 (Metric)	M22 x 1.5	3.88"	.89"	.88"	.38"	2.75"
09-002004	RH	10.9 (Metric)	M22 x 1.5	4.17"	.89"	.88"	.38"	3.01"
09-001728	RH	10.9 (Metric)	M22 x 1.5	4.31"	.89"	.88"	.38"	3.19"
09-002003	RH	10.9 (Metric)	M22 x 1.5	4.78"	.89"	.88"	.38"	3.84"
09-002229	RH	10.9 (Metric)	M22 x 1.5	4.91"	.88"	.63"	.38"	3.84"

## WHEEL STUDS



PART NUMBER	THREAD DIRECTION	GRADE	THREAD SIZE	BODY DIAMETER		LENGTH	BODY LENGTH	SERRATION LENGTH	THREAD LENGTH
				"A"	"B"				
09-001998	LH	8	.75"-16	.890	.940	2.38"	.89"	.50"	1.25"
09-001997	RH	8	.75"-16	.890	.940	2.38"	.89"	.50"	1.25"
09-002050	LH	8	.75"-16	.890	.940	2.38"	1.13"	.50"	1.13"
09-002049	RH	8	.75"-16	.890	.940	2.38"	1.13"	.50"	1.13"
09-001911	LH	8	.75"-16	.890	.939	2.63"	1.02"	.50"	1.38"
09-001910	RH	8	.75"-16	.890	.939	2.63"	1.02"	.50"	1.38"
09-002086	LH	8	.75"-16	.890	.939	2.77"	.87"	.50"	1.61"
09-002085	RH	8	.75"-16	.890	.939	2.77"	.87"	.50"	1.61"

## DRIVE FLANGE STUDS



PART NUMBER	OVERALL LENGTH	BODY DIAMETER	HUB END		NUT END	
			THREAD SIZE	THREAD LENGTH	THREAD SIZE	THREAD LENGTH
4-X-1612	2.50"	.56"	.56"-12	.84"	.56"-18	.91"
08-203868	2.50"	.56"	.56"-12	1"	.56"-18	.90"
08-205435	2.88"	.50"	.50"-13	.83"	.50"-20	.98"
08-008551	2.94"	.63"	.63"-11	.85"	.63"-18	1.38"
08-205740	2.94"	.63"	.63"-11	.86"	.63"-11	1.38"
08-205741	3.03"	.50"	.50"-13	1.00"	.50"-13	1.00"

# DRIVE AXLE HUBS

**FOR AXLE MODELS:** Dana Spicer J-190S  
 Eaton 17, 34D, D340  
 Meritor FL-100, RS-17-140, RS-17-145, RS-17-220, RT-34-145

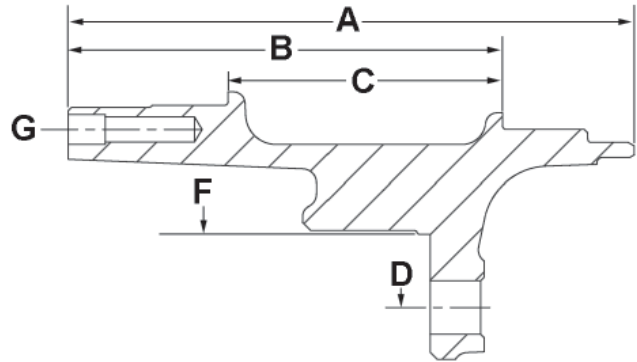
HUB NO.	DESCRIPTION	TYPE
04-15673-XXX	Drive Axle Hub Outboard Drum	10 Hole Serrated Studs

### INNER BEARING

CUP	CONE	BOLT CIRCLE
47620	47686	11.25"

### OUTER BEARING

CUP	CONE
39520	39590



DRAWING REFERENCE	ITEM	DIMENSION
A	Overall Length	9.531"
B	Outer Hub Cap Face to Inner Bearing Cup Seat	7.309"
C	Distance Between Cups	4.618"
D	Bolt Circle Diameter	11.25"
E	Wheel Stud Quantity	10
F	Pilot Diameter	8.777"
G	Hub Cap Hole Pattern	12, 1/2"-13; 5.25" B.C.

HUB PART NUMBER	ABS RING NUMBER	COMMENTS
04-15673-002		Wheel studs not included
04-15673-003	3237J1258	

### STUD PILOTED - Hub Assemblies without Drum or Rotor

HUB PART NUMBER	HAND	WHEEL TYPE	DRUM TYPE	WHEEL STUD NUMBER	DRIVE FLANGE STUD NUMBER	ABS RING NUMBER
04-15673-036	LH			09-002086	08-205741	09-002127

### HUB PILOTED - Hub and Drum Assemblies

HUB PART NUMBER	WHEEL TYPE	DRUM TYPE	WHEEL STUD NUMBER	DRIVE FLANGE STUD NUMBER	ABS RING NUMBER	DRUM SIZE	DRUM NUMBER	DRUM POSITION
14-15673-1009MTB	Dual Steel	Cast	09-002004	08-205435	3237N1262	15 x 8.63	85-123466-002	Outboard
14-15673-1004MTB	Dual Aluminum	Cast	09-002003	08-205435	09-002127	16.5 x 7	85-123397-002	Outboard
14-15673-1008MTB	Aluminum, Steel	Cast	09-001728	08-205741	3237J1258	16.5 x 7	85-123397-002	Outboard

# DRIVE AXLE HUBS

## WHEEL STUDS USED WITH HUB IN ASSEMBLIES

WHEEL STUD NO.	THREAD TYPE SIZE	STYLE	WHEEL TYPE	USE WITH DRUM TYPE
09-001728	Serrated M22 x 1.5	Hub Piloted	Aluminum, Steel	Cast
09-002003	Serrated M22 x 1.5	Hub Piloted	Aluminum Wheel	Cast
09-002004	Serrated M22 x 1.5	Hub Piloted	Aluminum, Steel	Cast
09-002085	Serrated 3/4"-16 R	Stud Piloted		
09-002086	Serrated 3/4"-16 L	Stud Piloted		

## DRIVE FLANGE STUDS USED WITH HUB IN ASSEMBLIES

DRIVE FLANGE STUD	OVERALL LENGTH	BODY DIAMETER	HUB END		NUT END	
			THREAD SIZE	THREAD LENGTH	THREAD SIZE	THREAD LENGTH
08-205435	2.88"	.50"	.50"-13	.83"	.50"-20	.98"
08-205741	3.03"	.50"	.50"-13	1.00"	.50"-13	1.00"

## DRUMS USED WITH HUB IN ASSEMBLIES

DRUM NO.	DRUM TYPE	BRAKE SIZE	OVERALL DEPTH	PILOT DIAMETER
85-123397-002	Cast MTB	16.50" x 7.00"	10.31"	8.78"
85-123466-002	Cast MTB	15.00" x 8.63"	12.20"	8.78"

# DRIVE AXLE HUBS

**FOR AXLE MODELS:** Dana Spicer J-190S  
Eaton 17, 34D, D340  
Meritor "L" Series FL-100, RS-17-140, RS-17-145, RS-17-220, RT-34-145

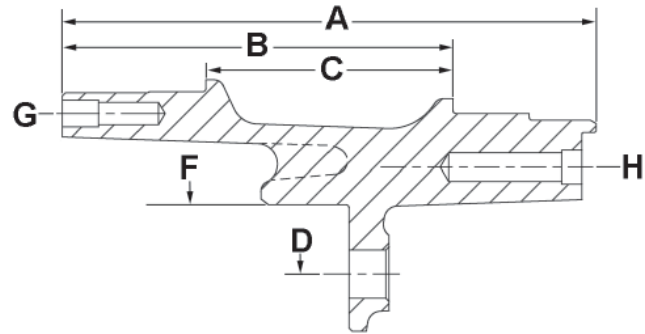
HUB NO.	DESCRIPTION	TYPE
04-15712-XXX	Drive Axle Hub Outboard Drum	10 Hole Serrated Studs

## INNER BEARING

CUP	CONE	BOLT CIRCLE
47620	47686	11.25"

## OUTER BEARING

CUP	CONE
39520	39590



DRAWING REFERENCE	ITEM	DIMENSION
A	Overall Length	9.531"
B	Outer Hub Cap Face to Inner Bearing Cup Seat	7.309"
C	Distance Between Cups	4.618"
D	Bolt Circle Diameter	11.25"
E	Wheel Stud Quantity	10
F	Pilot Diameter	8.777"
G	Hub Cap Hole Pattern	12, 1/2"-13; 5.25" B.C.

HUB PART NUMBER	ABS RING NUMBER	COMMENTS
04-15712-002		Wheel studs not included

## HUB PILOTED - Hub Assembly without Drum or Rotor

HUB PART NUMBER	HAND	WHEEL TYPE	DRUM TYPE	WHEEL STUD NUMBER	DRIVE FLANGE STUD NUMBER	ABS RING NUMBER
04-15712-1000	RH			09-001811	08-205741	

## WHEEL STUDS USED WITH HUB IN ASSEMBLIES

WHEEL STUD NO.	THREAD TYPE SIZE	STYLE	WHEEL TYPE	USE WITH DRUM TYPE
09-001811	Serrated M20 x 1.5	Hub Piloted		

## DRIVE FLANGE STUDS USED WITH HUB IN ASSEMBLIES

DRIVE FLANGE STUD	OVERALL LENGTH	BODY DIAMETER	HUB END		NUT END	
			THREAD SIZE	THREAD LENGTH	THREAD SIZE	THREAD LENGTH
08-205741	3.03"	.50"	.50"-13	1.00"	.50"-13	1.00"

# DRIVE AXLE HUBS

**FOR AXLE MODELS:** Dana Spicer J-190S  
Eaton 17, 34D, D340  
Meritor FL-100, RS-17-140, RS-17-145, RS-17-220, RT-34-145

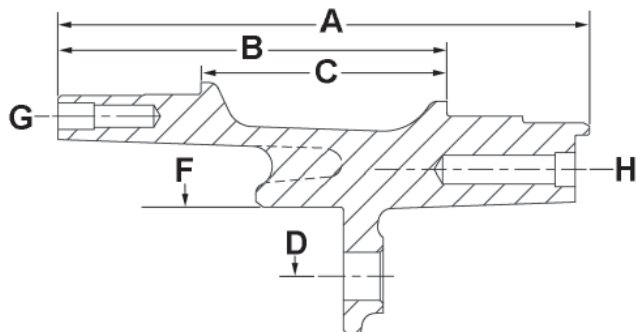
HUB NO.	DESCRIPTION	TYPE
04-15719-XXX	Drive Axle Hub Outboard Drum	10 Hole Serrated Studs

## INNER BEARING

CUP	CONE	BOLT CIRCLE
47620	47686	11.25"

## OUTER BEARING

CUP	CONE
39520	39590



DRAWING REFERENCE	ITEM	DIMENSION
A	Overall Length	9.795"
B	Outer Hube Cap Face To Inner Bearing Cup Seat	7.306"
C	Distance between Cups	4.618'
D	Bolt Circle Diameter	11.25"
E	Wheel Stud Quantity	10
F	Pilot Diameter	8.65"
G	Hub Cap Hole Pattern	12,1/2"-13; 5.25" B.C.
H	Drive Flange Hole Pattern	10, 9;16"-12; 7.25" B.C.

HUB PART NUMBER	ABS RING NUMBER	COMMENTS
04-15719-002		Wheel studs not included

## HUB PILOTED - Hub Assemblies without Drum or Rotor

HUB PART NUMBER	HAND	WHEEL TYPE	DRUM TYPE	WHEEL STUD NUMBER	DRIVE FLANGE STUD NUMBER	ABS RING NUMBER
04-15719-1004	RH			09-002004	08-205741	
04-15719-1005	RH			09-001989	08-205435	

## STUD PILOTED - Hub and Rotor Assembly

HUB PART NUMBER	HAND	WHEEL TYPE	WHEEL STUD NUMBER	DRIVE FLANGE STUD NUMBER	ABS RING NUMBER	ROTOR NUMBER	ROTOR OUTSIDE DIAMETER
16-15719-076	LH		09-002048	08-205741		23-122729-002	15.38
16-15719-203	RH		09-002047	08-205741		23-123557-009	15.38
16-15719-204	LH		09-002048	08-205741		23-123557-009	15.38

## DRIVE AXLE HUBS

### HUB PILOTED - Hub and Rotor Assembly

HUB PART NUMBER	WHEEL TYPE	WHEEL STUD NUMBER	DRIVE FLANGE STUD NUMBER	ABS RING NUMBER	ROTOR NUMBER	ROTOR OUTSIDE DIAMETER
16-15719-1000		09-001989	08-205435		23-123557-009	15.38
16-15719-1005		09-001988	08-205741		23-123557-009	15.38
16-15719-1011		09-002184	08-205741		23-123557-009	15.38

### WHEEL STUDS USED WITH HUB IN ASSEMBLIES

WHEEL STUD NO.	THREAD TYPE SIZE	STYLE	WHEEL TYPE	USE WITH DRUM TYPE
09-001988	Serrated M22 x 1.5	Hub Piloted	Steel	Cast
09-001989	Serrated M22 x 1.5	Hub Piloted	Steel Wheel	Cast
09-002004	Serrated M22 x 1.5	Hub Piloted	Aluminum, Steel	Cast
09-002047	Serrated 3/4"-16 R	Stud Piloted		
09-002048	Serrated 3/4"-16 L	Stud Piloted		
09-002184	Serrated M22 x 1.5	Hub Piloted		

### DRIVE FLANGE STUDS USED WITH HUB IN ASSEMBLIES

DRIVE FLANGE STUD	OVERALL LENGTH	BODY DIAMETER	HUB END		NUT END	
			THREAD SIZE	THREAD LENGTH	THREAD SIZE	THREAD LENGTH
08-205435	2.88"	.50"	.50"-13	.83"	.50"-20	.98"
08-205741	3.03"	.50"	.50"-13	1.00"	.50"-13	1.00"

### ROTORS USED WITH HUB IN ASSEMBLIES

ROTOR PART NO.	OUTSIDE DIA.	OVERALL DEPTH	BOLT CIRCLE DIA.	BOLT HOLES		PILOT DIA.
				DIAMETER	NUMBER	
23-122729-002	15.380	3.400	7.250	0.594	10	6.000
23-123557-009	15.375	3.400	7.250	0.594	10	6.001

# DRIVE AXLE HUBS

**FOR AXLE MODELS:** Eaton 18, 23 26, 38D, 44D, D380, D381, D400 (Tag Axles 25LD, H25LD)  
 Meritor RD-22-145, RS-21-145, RS-21-230, RS-23-160, RS-23-161, RS-23-180, RS-23-240, RD-23-380,  
 RS-24-160, RS-26-180, RS-26-380, RT-40-145, RT-44-145, RT-46-160, RT-48-180, RT-48-380,  
 RT-52-160, RT-52-180, RT-53-380, SQ100, SQR100, SSHD (Tag Axles TR, TRD, TT)

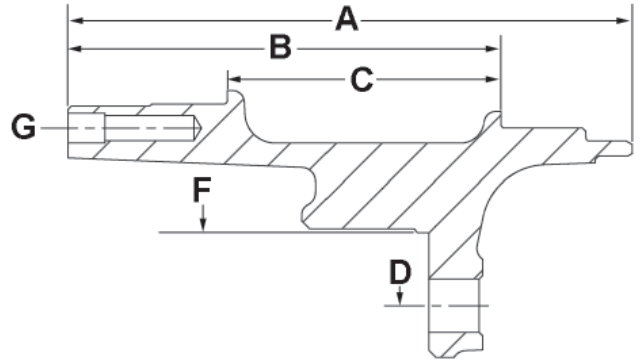
HUB NO.	DESCRIPTION	TYPE
04-15728-XXX	Drive Axle Hub Outboard Drum	10 Hole Serrated Studs

## INNER BEARING

CUP	CONE	BOLT CIRCLE
592A	598A or 594A	13.189"

## OUTER BEARING

CUP	CONE
572	580



DRAWING REFERENCE	ITEM	DIMENSION
A	Overall Length	9.75"
B	Outer Hub Cap Face To Inner Bearing Cap Seat	7.75"
C	Distance Between Cups	4.307"
D	Bolt Circle Diameter	13.189"
E	Wheel Stud Quantity	10
F	Pilot Diameter	11.25"
G	Hub Cap Hole Pattern	8, 5/8"-11; 7.00" B.C.

## HUB PILOTED - Hub Assemblies without Drum or Rotor

HUB PART NUMBER	HAND	WHEEL TYPE	DRUM TYPE	WHEEL STUD NUMBER	DRIVE FLANGE STUD NUMBER	ABS RING NUMBER
04-15728-002	RH			09-001989	08-007775	09-001937
04-15728-004	RH			09-001989	08-007775	

## WHEEL STUDS USED WITH HUB IN ASSEMBLIES

WHEEL STUD NO.	THREAD TYPE SIZE	STYLE	WHEEL TYPE	USE WITH DRUM TYPE
09-001989	Serrated M22 x 1.5	Hub Piloted	Steel Wheel	Cast

## DRIVE FLANGE STUDS USED WITH HUB IN ASSEMBLIES

DRIVE FLANGE STUD	OVERALL LENGTH	BODY DIAMETER	HUB END		NUT END	
			THREAD SIZE	THREAD LENGTH	THREAD SIZE	THREAD LENGTH
08-007775	2.72"	.63"	.63"-11	.84"	.63"-18	.97"



# DRIVE AXLE HUBS

**FOR AXLE MODELS:** Dana Spicer J-190S  
Eaton 17, 34D, D340  
Meritor FL-100, RS-17-140, RS-17-145, RS-17-220, RT-34-145

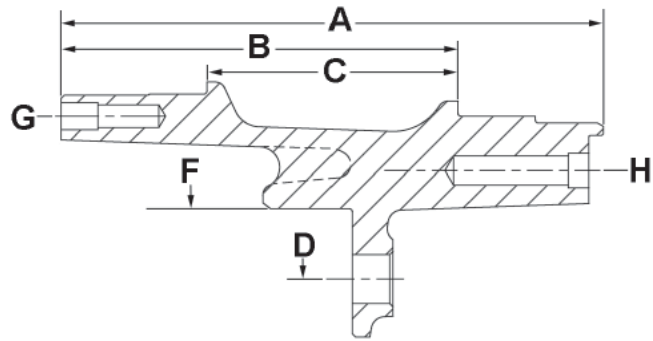
HUB NO.	DESCRIPTION	TYPE
04-15740-XXX	Drive Axle Hub Outboard Drum	8 Hole Serrated Studs

## INNER BEARING

CUP	CONE	BOLT CIRCLE
47620	47686	10.827"

## OUTER BEARING

CUP	CONE
39520	39590



DRAWING REFERENCE	ITEM	DIMENSION
A	Overall Length	10.01"
B	Outer Hub Cap Face To Inner Bearing Cup Seat	7.32"
C	Distance Between Cups	4.625"
D	Bolt Circle Diameter	10.827"
E	Wheel Stud Quantity	8
F	Pilot Diameter	8.689"
G	Hub Cap Hole Pattern	12, 1/2"-13; 5.25" B.C.
H	Drive Flange Hole Pattern	10, 5/8"-11; 7.25" B.C.

## HUB PILOTED - Hub and Rotor Assembly

HUB PART NUMBER	WHEEL TYPE	WHEEL STUD NUMBER	DRIVE FLANGE STUD NUMBER	ABS RING NUMBER	ROTOR NUMBER	ROTOR O.D.
16-15740-100		09-001811	08-205435	09-002177	23-123498-002	15.38

## WHEEL STUDS USED WITH HUB IN ASSEMBLIES

WHEEL STUD NO.	THREAD TYPE SIZE	STYLE	WHEEL TYPE	USE WITH DRUM TYPE
09-001811	Serrated M20 x 1.5	Hub Piloted		

## DRIVE FLANGE STUDS USED WITH HUB IN ASSEMBLIES

DRIVE FLANGE STUD	OVERALL LENGTH	BODY DIAMETER	THREAD SIZE	HUB END		NUT END	
				THREAD LENGTH	THREAD SIZE	THREAD LENGTH	
08-205435	2.88"	.50"	.50"-13	.83"	.50"-20	.98"	

## ROTORS USED WITH HUB IN ASSEMBLIES

ROTOR PART NO.	OUTSIDE DIA.	OVERALL DEPTH	BOLT CIRCLE DIA.	BOLT HOLES		
				DIAMETER	NUMBER	PILOT DIA.
23-123498-002	15.380	3.410	7.250	0.656	10	5.964

# DRIVE AXLE HUBS

**FOR AXLE MODELS:** Dana Spicer J-190S  
Eaton 17, 34D, D340  
Meritor FL-100, RS-17-140, RS-17-145, RS-17-220, RT-34-145

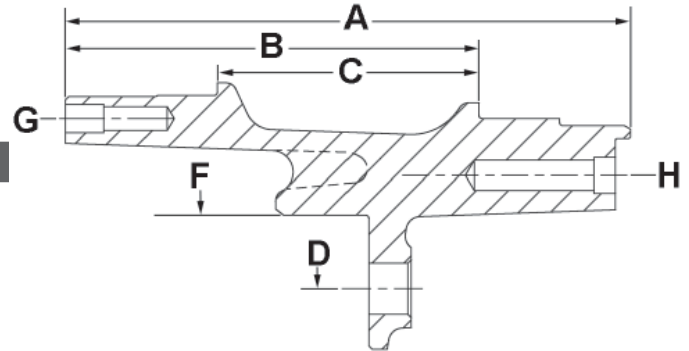
HUB NO.	DESCRIPTION	TYPE
04-15900-XXX	Drive Axle Hub Outboard Drum	10 Hole Serrated Studs

### INNER BEARING

CUP	CONE	BOLT CIRCLE
47620	47686	11.25"

### OUTER BEARING

CUP	CONE
39520	39590



DRAWING REFERENCE	ITEM	DIMENSION
A	Overall length	10.15"
B	Outer Hub Cap Face To Inner Bearing Cup Seat	7.315"
C	Distance Between Cups	4.625"
D	Bolt Circle Diameter	11.25"
E	Wheel Stud Quantity	10
F	Pilot Diameter	8.65"
G	Hub Cap Hole Pattern	8, 5/8"-11; 5.50" B.C.
H	Drive Flange Hole Pattern	10, 9/16"-12; 7.25" B.C.

### STUD PILOTED - Hub Assemblies without Drum or Rotor

HUB PART NUMBER	HAND	WHEEL TYPE	DRUM TYPE	WHEEL STUD NUMBER	DRIVE FLANGE STUD NUMBER	ABS RING NUMBER
04-15900-002	RH			09-002047		
04-15900-003	LH			09-002048		

### HUB PILOTED - Hub Assemblies without Drum or Rotor

HUB PART NUMBER	HAND	WHEEL TYPE	DRUM TYPE	WHEEL STUD NUMBER	DRIVE FLANGE STUD NUMBER	ABS RING NUMBER
04-15900-004	RH			09-002184		
04-15900-005	RH			09-001989		

### WHEEL STUDS USED WITH HUB IN ASSEMBLIES

WHEEL STUD NO.	THREAD TYPE SIZE	STYLE	WHEEL TYPE	USE WITH DRUM TYPE
09-001989	Serrated M22 x 1.5	Hub Piloted	Steel Wheel	Cast
09-002047	Serrated 3/4"-16 R	Stud Piloted		
09-002048	Serrated 3/4"-16 L	Stud Piloted		
09-002184	Serrated M22 x 1.5	Hub Piloted		

# DRIVE AXLE HUBS

**FOR AXLE MODELS:** Dana Spicer D135-S, S135-S, S150-S, F155-S, G155-T  
Navistar 170 Series

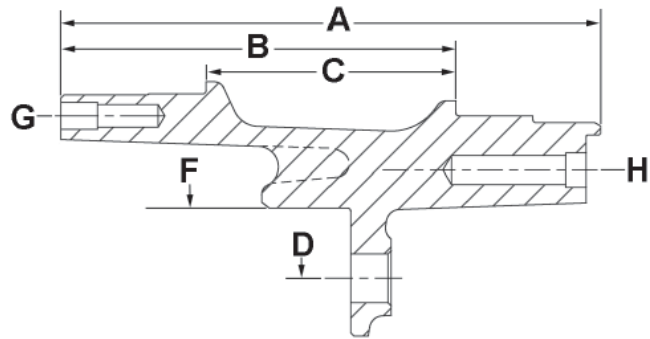
HUB NO.	DESCRIPTION	TYPE
04-15930-XXX	Drive Axle Hub Outboard Drum	8 Hole Serrated Studs

## INNER BEARING

CUP	CONE	BOLT CIRCLE
33462	33287	10.827"

## OUTER BEARING

CUP	CONE
39520	39585



DRAWING REFERENCE	ITEM	DIMENSION
A	Overall Length	8.84"
B	Outer Hub cap Face To Inner Bearing Cup Seat	5.76"
C	Distance Between Cup	3.38"
D	Bolt Circle Diameter	10.827"
E	Wheel Stud Quantity	8
F	Pilot Diameter	8.689
G	Hub Cap Hole Pattern	8, 9/16"-12; 5.219" B.C.
H	Drive Flange Hole Pattern	5, 3/4"-10; 6.75" B.C.

## HUB PILOTED - Hub Assemblies without Drum or Rotor

HUB PART NUMBER	HAND	WHEEL TYPE	DRUM TYPE	WHEEL STUD NUMBER	DRIVE FLANGE STUD NUMBER	ABS RING NUMBER
04-15930-002	RH			09-002184	08-203868	
04-15930-003	RH			09-001989	08-203868	

## WHEEL STUDS USED WITH HUB IN ASSEMBLIES

WHEEL STUD NO.	THREAD TYPE SIZE	STYLE	WHEEL TYPE	USE WITH DRUM TYPE
09-001989	Serrated M22 x 1.5	Hub Piloted	Steel Wheel	Cast
09-002184	Serrated M22 x 1.5	Hub Piloted		

## DRIVE FLANGE STUDS USED WITH HUB IN ASSEMBLIES

DRIVE FLANGE STUD	OVERALL LENGTH	BODY DIAMETER	THREAD SIZE	HUB END		NUT END	
				THREAD LENGTH	THREAD SIZE	THREAD LENGTH	
08-203868	2.50"	.56"	.56"-12	1"	.56"-18	.90"	

# DRIVE AXLE HUBS

**FOR AXLE MODELS:** Dana Spicer J-190S  
 Eaton 17, 34D, D340  
 Meritor FL-100, RS-17-140, RS-17-145, RS-17-220, RT-34-145

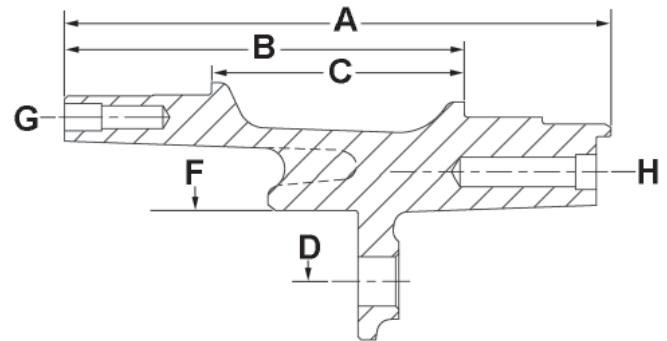
HUB NO.	DESCRIPTION	TYPE
04-15937-XXX	Drive Axle Hub Outboard Drum	8 Hole Serrated Studs

## INNER BEARING

CUP	CONE	BOLT CIRCLE
47620	47686	10.827'

## OUTER BEARING

CUP	CONE
39520	39590



DRAWING REFERENCE	ITEM	DIMENSION
A	Overall Length	10.15"
B	Outer Hub Cap Face To Inner Bearing Cup Seat	7.335"
C	Distance Between Cups	4.625"
D	Bolt Circle Diameter	10.827"
E	Wheel Stud Quantity	8
F	Pilot Diameter	8.689"
G	Hub Cap Hole Pattern	8, 5/8"-11; 5.50" B.C.
H	Drive Flange Hole Pattern	10, 9/16"-12; 7.25" B.C.

## HUB PILOTED - Hub Assemblies without Drum or Rotor

HUB PART NUMBER	HAND	WHEEL TYPE	DRUM TYPE	WHEEL STUD NUMBER	DRIVE FLANGE STUD NUMBER	ABS RING NUMBER
04-15937-002	RH			09-002184		
04-15937-003	RH			09-001989		

## WHEEL STUDS USED WITH HUB IN ASSEMBLIES

WHEEL STUD NO.	THREAD TYPE SIZE	STYLE	WHEEL TYPE	USE WITH DRUM TYPE
09-001989	Serrated M22 x 1.5	Hub Piloted	Steel Wheel	Cast
09-002184	Serrated M22 x 1.5	Hub Piloted		

# DRIVE AXLE HUBS

**FOR AXLE MODELS:** Eaton 18, 23 26, 38D, 44D, D380, D381, D400 (Tag Axles 25LD, H25LD)  
 Meritor RD-22-145, RS-21-145, RS-21-230, RS-23-160, RS-23-161, RS-23-180, RS-23-240, RD-23-380,  
 RS-24-160, RS-26-180, RS-26-380, RT-40-145, RT-44-145, RT-46-160, RT-48-180, RT-48-380, RT-52-160,  
 RT-52-180, RT-53-380, SQ100, SQR100, SSHD (Tag Axles TR, TRD, TT)

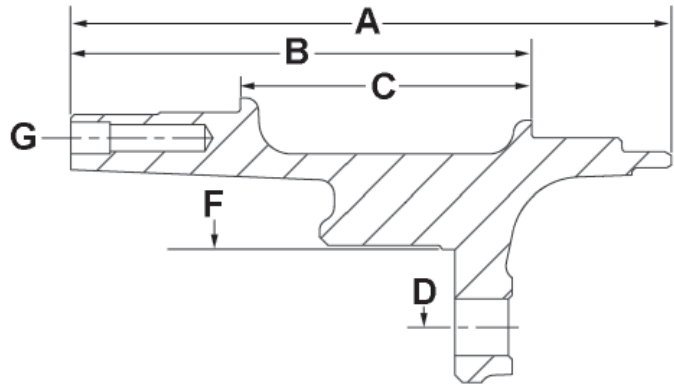
HUB NO.	DESCRIPTION	TYPE
04-15943-XXX	Drive Axle Hub Outboard Drum	10 Hole Serrated Studs

## INNER BEARING

CUP	CONE	BOLT CIRCLE
592A	598A or 594A	11.25"

## OUTER BEARING

CUP	CONE
572	580



DRAWING REFERENCE	ITEM	DIMENSION
A	Overall Length	9.75"
B	Outer Hub Cap face To Inner Bearing Cup Seat	7.747"
C	Distance Between Cups	4.307"
D	Bolt Circle Diameter	11.25"
E	Wheel Stud Quantity	10
F	Pilot Diameter	8.65"
G	Hub Cap Hole Pattern	8, 5/8"-11; 7.00" B.C.

## HUB PILOTED - Hub Assemblies without Drum or Rotor

HUB PART NUMBER	HAND	WHEEL TYPE	DRUM TYPE	WHEEL STUD NUMBER	DRIVE FLANGE STUD NUMBER	ABS RING NUMBER
04-15943-002	RH			09-002005	08-008551	

## HUB PILOTED - Hub and Rotor Assembly

HUB PART NUMBER	WHEEL TYPE	WHEEL STUD NUMBER	DRIVE FLANGE STUD NUMBER	ABS RING NUMBER	ROTOR NUMBER	ROTOR O.D.
16-15943-1000		09-002005	08-008551		23-123574-009	15.38

## WHEEL STUDS USED WITH HUB IN ASSEMBLIES

WHEEL STUD NO.	THREAD TYPE SIZE	STYLE	WHEEL TYPE	USE WITH DRUM TYPE
09-002005	Serrated M22 x 1.5	Hub Piloted		

## ROTORS USED WITH HUB IN ASSEMBLIES

ROTOR PART NO.	OUTSIDE DIA.	OVERALL DEPTH	BOLT CIRCLE DIA.	BOLT HOLES		
				DIAMETER	NUMBER	PILOT DIA.
23-123574-009	15.375	7.600	11.250	0.937	10	9.120

# DRIVE AXLE HUBS

FOR AXLE MODELS: **GMC 150**

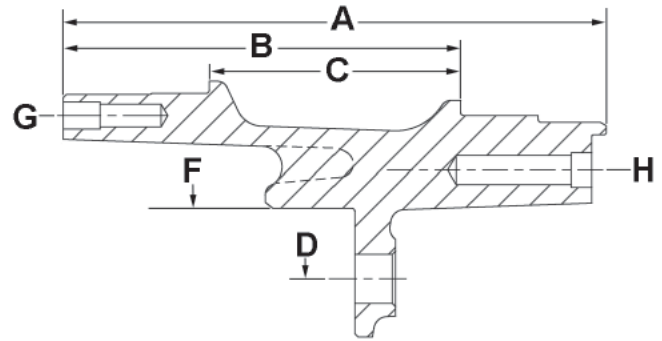
HUB NO.	DESCRIPTION	TYPE
04-15957-XXX	Drive Axle Hub Outboard Drum	8 Hole Serrated Studs

## INNER BEARING

CUP	CONE	BOLT CIRCLE
33462	33287	10.827"

## OUTER BEARING

CUP	CONE
3920	3982



DRAWING REFERENCE	ITEM	DIMENSION
A	Overall Length	9.91"
B	Out Hub Cap Face To Inner Bearing Cup Sheet	6.19"
C	Distance Between Cups	3.72"
D	Bolt Circle Diameter	10.827"
E	Wheel stud Quantity	8
F	Pilot Diameter	8.698"
G	Hub Cap Hole Pattern	8, 1/2"-13; 5.312" B.C.
H	Drive Flange Hole Pattern	10, 9/16"-12; 7.25" B.C.

## HUB PILOTED - Hub Assemblies without Drum or Rotor

HUB PART NUMBER	HAND	WHEEL TYPE	DRUM TYPE	WHEEL STUD NUMBER	DRIVE FLANGE STUD NUMBER	ABS RING NUMBER
04-15957-1000	RH			09-001811	08-205741	

## WHEEL STUDS USED WITH HUB IN ASSEMBLIES

WHEEL STUD NO.	THREAD TYPE SIZE	STYLE	WHEEL TYPE	USE WITH DRUM TYPE
09-001811	Serrated M20 x 1.5	Hub Piloted		

## DRIVE FLANGE STUDS USED WITH HUB IN ASSEMBLIES

DRIVE FLANGE STUD	OVERALL LENGTH	BODY DIAMETER	THREAD SIZE	HUB END		NUT END	
				THREAD LENGTH	THREAD SIZE	THREAD LENGTH	THREAD LENGTH
08-205741	3.03"	.50"	.50"-13	1.00"	.50"-13	1.00"	1.00"

# DRIVE AXLE HUBS

**FOR AXLE MODELS:** Dana Spicer J-190S  
Eaton 17, 34D, D340  
Meritor FL-100, RS-17-140, RS-17-145, RS-17-220, RT-34-145

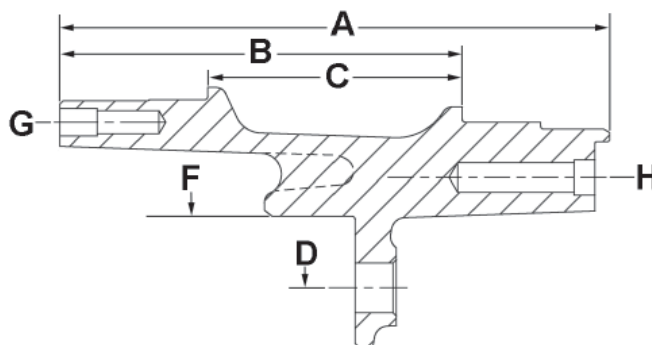
HUB NO.	DESCRIPTION	TYPE
04-15972-XXX	Drive Axle Hub Outboard Drum	8 Hole Serrated Studs

## INNER BEARING

CUP	CONE	BOLT CIRCLE
47620	47686	10.827"

## OUTER BEARING

CUP	CONE
39520	39590



DRAWING REFERENCE	ITEM	DIMENSION
A	Overall Length	10.64"
B	Outer Hub Cap Face To Inner Bearing Cup Seat	7.315"
C	Distance Between Cups	4.625"
D	Bolt Circle Diameter	10.827"
E	Wheel Stud Quantity	8
F	Pilot Diameter	8.689"
G	Hub Cap Hole Pattern	12, 1/2"-13; 5.25" B.C.
H	Drive Flange Hole Pattern	10, 9/16"-12; 7.25" B.C.

## HUB PILOTED - Hub Assemblies without Drum or Rotor

HUB PART NUMBER	HAND	WHEEL TYPE	DRUM TYPE	WHEEL STUD NUMBER	DRIVE FLANGE STUD NUMBER	ABS RING NUMBER
04-15972-002	RH			09-001989	08-205435	

## HUB PILOTED - Hub and Rotor Assembly

HUB PART NUMBER	WHEEL TYPE	WHEEL STUD NUMBER	DRIVE FLANGE STUD NUMBER	ABS RING NUMBER	ROTOR NUMBER	ROTOR O.D.
16-15972-1000		09-001989	08-205435		23-123557-009	15.38

## WHEEL STUDS USED WITH HUB IN ASSEMBLIES

WHEEL STUD NO.	THREAD TYPE SIZE	STYLE	WHEEL TYPE	USE WITH DRUM TYPE
09-001989	Serrated M22 x 1.5	Hub Piloted	Steel Wheel	Cast
09-002004	Serrated M22 x 1.5	Hub Piloted	Aluminum, Steel	Cast

## DRIVE FLANGE STUDS USED WITH HUB IN ASSEMBLIES

DRIVE FLANGE STUD	HUB END			NUT END		
	OVERALL LENGTH	BODY DIAMETER	THREAD SIZE	THREAD LENGTH	THREAD SIZE	THREAD LENGTH
08-205435	2.88"	.50"	.50"-13	.83"	.50"-20	.98"

## ROTORS USED WITH HUB IN ASSEMBLIES

ROTOR PART NO.	OUTSIDE DIA.	OVERALL DEPTH	BOLT CIRCLE DIA.	BOLT HOLES		PILOT DIA.
				DIAMETER	NUMBER	
23-123557-009	15.375	3.400	7.250	0.594	10	6.001

# DRIVE AXLE HUBS

**FOR AXLE MODELS:** Eaton 15040P, 15040S, 15040T  
Meritor F-145, F-245, F-345, RS-15-120, RS-15-210

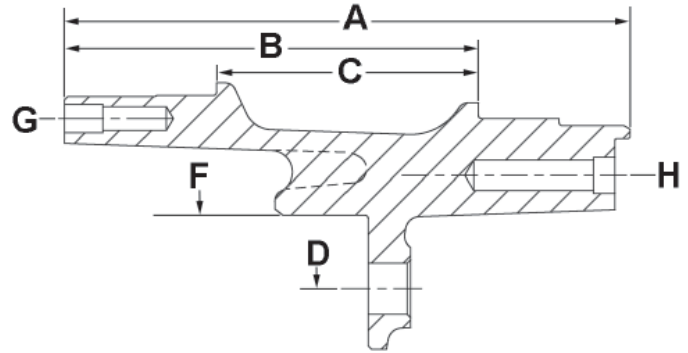
HUB NO.	DESCRIPTION	TYPE
04-15973-XXX	Drive Axle Hub Outboard Drum	8 Hole Serrated Studs

### INNER BEARING

CUP	CONE	BOLT CIRCLE
33462	33287	8.858"

### OUTER BEARING

CUP	CONE
3920	3982



DRAWING REFERENCE	ITEM	DIMENSION
A	Overall Length	8.576"
B	Outer Hub Cap Face To Inner Bearing Cup Seat	5.626"
C	Distance Between Cups	3.156"
D	Bolt Circle Diameter	8.858"
E	Wheel Stud Quantity	8
F	Pilot Diameter	6.691"
G	Hub Cap Hole Pattern	8, 1/2"-13; 5.312" B.C.
H	Drive Flange Hole Pattern	8, 9/16"-12; 7.25" B.C.

### HUB PILOTED - Hub Assemblies without Drum or Rotor

HUB PART NUMBER	HAND	WHEEL TYPE	DRUM TYPE	WHEEL STUD NUMBER	DRIVE FLANGE STUD NUMBER	ABS RING NUMBER
04-15973-100	RH			09-002233	08-205435	

### HUB PILOTED - Hub and Rotor Assembly

HUB PART NUMBER	WHEEL TYPE	WHEEL STUD NUMBER	DRIVE FLANGE STUD NUMBER	ABS RING NUMBER	ROTOR NUMBER	ROTOR O.D.
16-15973-1001		09-002233	08-205435		23-123617-009	15.38

### WHEEL STUDS USED WITH HUB IN ASSEMBLIES

WHEEL STUD NO.	THREAD TYPE SIZE	STYLE	WHEEL TYPE	USE WITH DRUM TYPE
09-002233	Serrated M14 x 2	Hub Piloted	Steel	Cast

### DRIVE FLANGE STUDS USED WITH HUB IN ASSEMBLIES

DRIVE FLANGE STUD	OVERALL LENGTH	BODY DIAMETER	HUB END		NUT END	
			THREAD SIZE	THREAD LENGTH	THREAD SIZE	THREAD LENGTH
08-205435	2.88"	.50"	.50"-13	.83"	.50"-20	.98"

### ROTORS USED WITH HUB IN ASSEMBLIES

ROTOR PART NO.	OUTSIDE DIA.	OVERALL DEPTH	BOLT CIRCLE DIA.	BOLT HOLES		
				DIAMETER	NUMBER	PILOT DIA.
23-123617-009	15.375	3.410	7.250	.594	8	6.000



# DRIVE AXLE HUBS

**FOR AXLE MODELS: Dana Model 80**

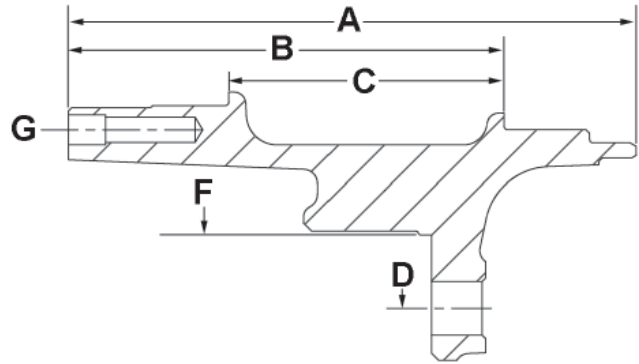
HUB NO.	DESCRIPTION	TYPE
04-15974-XXX	Drive Axle Hub Outboard Drum	6 Hole Serrated Studs

## INNER BEARING

CUP	CONE	BOLT CIRCLE
JLM506810	JLM506849	8.75"

## OUTER BEARING

CUP	CONE
39520	39590



DRAWING REFERENCE	ITEM	DIMENSION
A	Overall Length	6.86"
B	Outer Hub Cap Face To Inner Bearing Cup Seat	4.97"
C	Distance Between Cups	2.775"
D	Bolt Circle Diameter	8.75"
E	Wheel Stud Quantity	6
F	Pilot Diameter	6.448"
G	Hub Cap Hole Pattern	8, M12 x 1.75

## HUB PILOTED - Hub Assemblies without Drum or Rotor

HUB PART NUMBER	HAND	WHEEL TYPE	DRUM TYPE	WHEEL STUD NUMBER	DRIVE FLANGE STUD NUMBER	ABS RING NUMBER
04-15974-001	LH			09-002226		
04-15974-002	RH			09-002225		

## HUB PILOTED - Hub and Rotor Assembly

HUB PART NUMBER	WHEEL TYPE	WHEEL STUD NUMBER	DRIVE FLANGE STUD NUMBER	ABS RING NUMBER	ROTOR NUMBER	ROTOR O.D.
16-15974-1000		09-002225		09-002221	23-123618-002	11.96
16-15974-1001		09-002226		09-002221	23-123618-002	11.96

## WHEEL STUDS USED WITH HUB IN ASSEMBLIES

WHEEL STUD NO.	THREAD TYPE SIZE	STYLE	WHEEL TYPE	USE WITH DRUM TYPE
09-002225	Serrated M20 x 1.5	Hub Piloted	Steel	Cast
09-002226	Serrated M20 x 1.5	Hub Piloted	Steel	Cast

## ROTORS USED WITH HUB IN ASSEMBLIES

ROTOR PART NO.	OUTSIDE DIA.	OVERALL DEPTH	BOLT CIRCLE DIA.	BOLT HOLES		PILOT DIA.
				DIAMETER	NUMBER	
23-123618-002	11.960	6.050	7.500	.50-13 UNC	6	6.130

# DRIVE AXLE HUBS

FOR AXLE MODELS: **Hino**

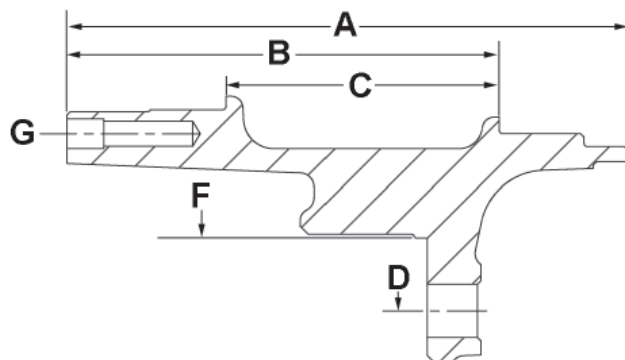
HUB NO.	DESCRIPTION	TYPE
04-15975-XXX	Drive Axle Hub Outboard Drum	8 Hole Serrated Studs

## INNER BEARING

CUP	CONE	BOLT CIRCLE
JLM506810	JLM506849	8.858"

## OUTER BEARING

CUP	CONE
39520	39590



DRAWING REFERENCE	ITEM	DIMENSION
A	Overall Length	6.86"
B	Outer Hub Cap Face To Inner Bearing Cup Seat	4.97"
C	Distance Between Cups	2.775"
D	Bolt Circle Diameter	8.858"
E	Wheel Stud Quantity	8
F	Pilot Diameter	6.691"
G	Hub Cap Hole Pattern	8,M12 x 1.75

## HUB PILOTED - Hub Assemblies without Drum or Rotor

HUB PART NUMBER	HAND	WHEEL TYPE	DRUM TYPE	WHEEL STUD NUMBER	DRIVE FLANGE STUD NUMBER	ABS RING NUMBER
04-15975-001	RH			09-002223		

## HUB PILOTED - Hub and Rotor Assembly

HUB PART NUMBER	WHEEL TYPE	WHEEL STUD NUMBER	DRIVE FLANGE STUD NUMBER	ABS RING NUMBER	ROTOR NUMBER	ROTOR O.D.
16-15975-1000		09-002223		09-002222	23-123624-007	12.75
16-15975-1001	Steel	09-002233		09-002222	23-123624-007	12.75

## WHEEL STUDS USED WITH HUB IN ASSEMBLIES

WHEEL STUD NO.	THREAD TYPE SIZE	STYLE	WHEEL TYPE	USE WITH DRUM TYPE
09-002223	Serrated M14 x 2	Hub Piloted		

## ROTORS USED WITH HUB IN ASSEMBLIES

ROTOR PART NO.	OUTSIDE DIA.	OVERALL DEPTH	BOLT CIRCLE DIA.	BOLT HOLES		PILOT DIA.
				DIAMETER	NUMBER	
23-123624-002	12.756	6.325	7.750	.50-13 UNC	8	6.130

# DRIVE AXLE HUBS

**FOR AXLE MODELS:** Eaton 18, 23 26, 38D, 44D, D380, D381, D400 (Tag Axles 25LD, H25LD)  
 Meritor RD-22-145, RS-21-145, RS-21-230, RS-23-160, RS-23-161, RS-23-180, RS-23-240, RD-23-380,  
 RS-24-160, RS-26-180, RS-26-380, RT-40-145, RT-44-145, RT-46-160, RT-48-180, RT-48-380, RT-52-160,  
 RT-52-180, RT-53-380, SQ100, SQR100, SSHD (Tag Axles TR, TRD, TT)

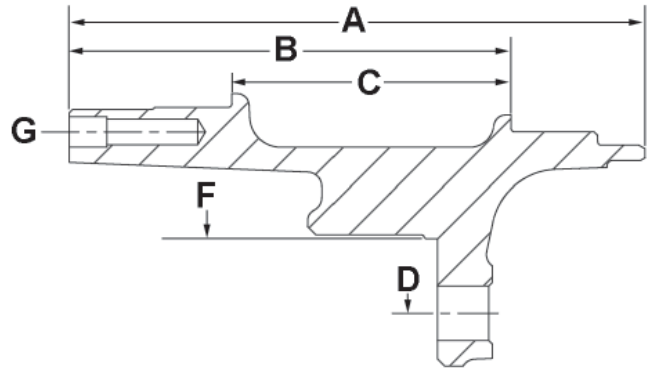
HUB NO.	DESCRIPTION	TYPE
04-15985-XXX	Drive Axle Hub Outboard Drum	10 Hole Serrated Studs

## INNER BEARING

CUP	CONE	BOLT CIRCLE
592A	598A or 594A	11.25"

## OUTER BEARING

CUP	CONE
572	580



DRAWING REFERENCE	ITEM	DIMENSION
A	Overall Length	9.75"
B	Outer Hub Cap Face To Inner Bearing Cup Seat	7.75"
C	Distance Between Cups	4.307"
D	Bolt Circle Diameter	11.25"
E	Wheel Stud Quantity	10
F	Pilot Diameter	8.78"
G	Hub Cap Hole Pattern	8, 5/8"-11; 7.00" B.C.

## HUB PILOTED - Hub Assemblies without Drum or Rotor

HUB PART NO.	HAND	WHEEL TYPE	DRUM TYPE	WHEEL STUD NO.	DRIVE FLANGE STUD NO.	ABS RING NO.
04-15985-002	RH			09-001989		
04-15985-003	RH			09-001989		3237H1256
04-15985-006	RH			09-002003	08-008551	3237H1256

## STUD PILOTED - Hub and Drum Assemblies

HUB PART NUMBER	HAND	WHEEL TYPE	DRUM TYPE	WHEEL STUD	DRIVE FLANGE STUD	ABS RING NUMBER	DRUM SIZE	DRUM NUMBER	DRUM POSITION
14-15985-1003MTB	LH	Aluminum, Steel	Cast	09-001911	08-008551	3237H1256	16.5 x 7	85-123652-002	Outboard
14-15985-1004MTB	RH	Aluminum, Steel	Cast	09-001910	08-008551	3237H1256	16.5 x 7	85-123652-002	Outboard

## HUB PILOTED - Hub and Drum Assemblies

HUB PART NUMBER	WHEEL TYPE	DRUM TYPE	WHEEL STUD NUMBER	DRIVE FLANGE STUD	ABS RING NUMBER	DRUM SIZE	DRUM NUMBER	DRUM POSITION
14-15985-1033MTB	Steel	Cast	09-001989	08-008551	3237H1256	16.5 x 7	85-123207-002	Outboard

## DRIVE AXLE HUBS

### WHEEL STUDS USED WITH HUB IN ASSEMBLIES

WHEEL STUD NO.	THREAD TYPE SIZE	STYLE	WHEEL TYPE	USE WITH DRUM TYPE
09-001910	Serrated 3/4"-16 R	Stud Piloted	Steel Wheel	Cast
09-001911	Serrated 3/4"-16 L	Stud Piloted	Steel Wheel	Cast
09-001989	Serrated M22 x 1.5	Hub Piloted	Steel Wheel	Cast
09-002003	Serrated M22 x 1.5	Hub Piloted	Aluminum Wheel	Cast

### DRIVE FLANGE STUDS USED WITH HUB IN ASSEMBLIES

DRIVE FLANGE STUD	OVERALL LENGTH	BODY DIAMETER	HUB END		NUT END	
			THREAD SIZE	THREAD LENGTH	THREAD SIZE	THREAD LENGTH
08-008551	2.94"	.63"	.63"-11	.85"	.63"-18	1.38"

### DRUMS USED WITH HUB IN ASSEMBLIES

DRUM NO.	DRUM TYPE	BRAKE SIZE	OVERALL DEPTH	PILOT DIAMETER
85-123207-002	Cast MTB	16.50" x 7.00"	10.54"	8.78"
85-123652-002	Cast MTB	16.50" x 7.00"	10.54"	8.78"

# DRIVE AXLE HUBS

**FOR AXLE MODELS:** Eaton 18, 23 26, 38D, 44D, D380, D381, D400 (Tag Axles 25LD, H25LD)  
 Meritor RD-22-145, RS-21-145, RS-21-230, RS-23-160, RS-23-161, RS-23-180, RS-23-240, RD-23-380,  
 RS-24-160, RS-26-180, RS-26-380, RT-40-145, RT-44-145, RT-46-160, RT-48-180, RT-48-380, RT-52-160,  
 RT-52-180, RT-53-380, SQR100, SSHD (Tag Axles TR, TRD, TT)

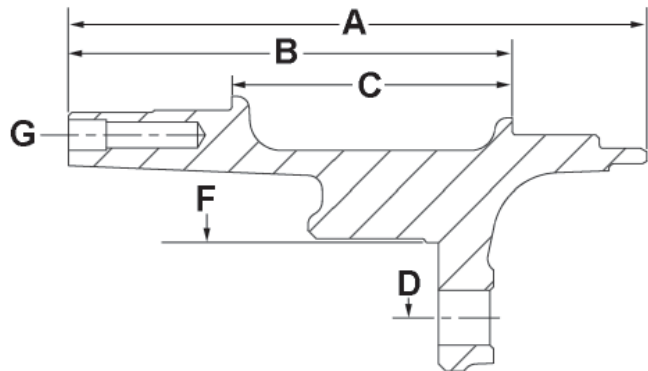
HUB NO.	DESCRIPTION	TYPE
04-16000-XXX	Drive Axle Hub Outboard Drum	10 Hole Serrated Studs

## INNER BEARING

CUP	CONE	BOLT CIRCLE
592A	598A or 594A	11.25"

## OUTER BEARING

CUP	CONE
572	580



DRAWING REFERENCE	ITEM	DIMENSION
A	Overall Length	8.90"
B	Outer Hub Cap Face To Inner Bearing Cup Seat	6.90"
C	Distance Between Cups	4.307"
D	Bolt Circle Diameter	11.25"
E	Wheel Stud Quantity	10
F	Pilot Diameter	8.65"
G	Hub Cap Hole Pattern	6, 5/8"-11; 7.00" B.C.

## HUB PILOTED - Hub Assemblies without Drum or Rotor

HUB PART NUMBER	HAND	WHEEL TYPE	DRUM TYPE	WHEEL STUD NUMBER	DRIVE FLANGE STUD NUMBER	ABS RING NUMBER
04-16000-003	RH			09-001989	08-008551	09-002209

## HUB PILOTED - Hub and Rotor Assembly

HUB PART NUMBER	WHEEL TYPE	WHEEL STUD NUMBER	DRIVE FLANGE STUD NUMBER	ABS RING NUMBER	ROTOR NUMBER	ROTOR O.D.
16-16000-1000		09-001989	08-008551	09-002209	23-123615-002	16.54
16-16000-1001		09-001728	08-008551	09-002209	23-123615-002	16.54
16-16000-1012		09-001728	08-008551	09-002209	23-123642-002	17.09

# DRIVE AXLE HUBS

## WHEEL STUDS USED WITH HUB IN ASSEMBLIES

WHEEL STUD NO.	THREAD TYPE SIZE	STYLE	WHEEL TYPE	USE WITH DRUM TYPE
09-001728	Serrated M22 x 1.5	Hub Piloted	Aluminum, Steel	Cast
09-001989	Serrated M22 x 1.5	Hub Piloted	Steel Wheel	Cast
09-002004	Serrated M22 x 1.5	Hub Piloted	Aluminum, Steel	Cast

## DRIVE FLANGE STUDS USED WITH HUB IN ASSEMBLIES

DRIVE FLANGE STUD PART	OVERALL LENGTH	BODY DIAMETER	HUB END		NUT END	
			THREAD SIZE	THREAD LENGTH	THREAD SIZE	THREAD LENGTH
08-008551	2.94"	.63"	.63"-11	.85"	.63"-18	1.38"

## ROTORS USED WITH HUB IN ASSEMBLIES

ROTOR PART NO.	OUTSIDE DIA.	OVERALL DEPTH	BOLT CIRCLE DIA.	BOLT HOLES		PILOT DIA.
				DIAMETER	NUMBER	
23-123615-002	16.535	6.285	10.500	.63-18 UNF	10	8.500
23-123642-002	17.087	5.644	10.500	.63-18 UNF	10	8.500

# DRIVE AXLE HUBS

**FOR AXLE MODELS:** Eaton 18, 23 26, 38D, 44D, D380, D381, D400 (Tag Axles 25LD, H25LD)  
 Meritor RD-22-145, RS-21-145, RS-21-230, RS-23-160, RS-23-161, RS-23-180, RS-23-240, RD-23-380,  
 RS-24-160, RS-26-180, RS-26-380, RT-40-145, RT-44-145, RT-46-160, RT-48-180, RT-48-380, RT-52-160,  
 RT-52-180, RT-53-380, SQ100, SQR100, SSHD (Tag Axles TR, TRD, TT)

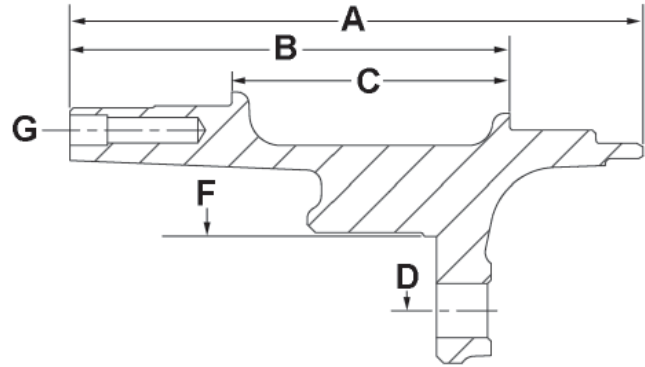
HUB NO.	DESCRIPTION	TYPE
04-16001-XXX	Drive Axle Hub Outboard Drum	10 Hole Serrated Studs

## INNER BEARING

CUP	CONE	BOLT CIRCLE
592A	598A or 594A	11.25"

## OUTER BEARING

CUP	CONE
572	580



DRAWING REFERENCE	ITEM	DIMENSION
A	Overall Length	9.75"
B	Outer Hub Cap Face To Inner Bearing Cup Seat	7.75"
C	Distance Between Cups	4.307"
D	Bolt Circle Diameter	11.25"
E	Wheel Stud Quantity	10
F	Pilot Diameter	8.653"
G	Hub Cap Hole Pattern	8, 5/8"-11; 7.00" B.C.

## HUB PILOTED - Hub Assemblies without Drum or Rotor

HUB PART NO.	HAND	WHEEL TYPE	DRUM TYPE	WHEEL STUD	DRIVE FLANGE STUD	ABS RING
04-16001-001	RH			09-002004	08-008551	09-002209
04-16001-003	RH			09-001989	08-008551	09-002209
04-16001-005	RH			09-002003	08-008551	09-002209

## HUB PILOTED - Hub and Rotor Assembly

HUB PART NO.	WHEEL TYPE	WHEEL STUD	DRIVE FLANGE STUD	ABS RING	ROTOR	ROTOR O.D.
16-16001-1002		09-001989	08-008551	09-002209	23-123642-002	17.09
16-16001-1004		09-002003	08-008551	09-002209	23-123642-002	17.09

# DRIVE AXLE HUBS

## WHEEL STUDS USED WITH HUB IN ASSEMBLIES

WHEEL STUD PART NUMBER	THREAD TYPE SIZE	STYLE	WHEEL TYPE	USE WITH DRUM TYPE
09-001989	Serrated M22 x 1.5	Hub Piloted	Steel Wheel	Cast
09-002003	Serrated M22 x 1.5	Hub Piloted	Aluminum Wheel	Cast
09-002004	Serrated M22 x 1.5	Hub Piloted	Aluminum, Steel	Cast

## DRIVE FLANGE STUDS USED WITH HUB IN ASSEMBLIES

DRIVE FLANGE STUD	OVERALL LENGTH	BODY DIAMETER	HUB END		NUT END	
			THREAD SIZE	THREAD LENGTH	THREAD SIZE	THREAD LENGTH
08-008551	2.94"	.63"	.63"-11	.85"	.63"-18	1.38"

## ROTORS USED WITH HUB IN ASSEMBLIES

ROTOR PART NO.	OUTSIDE DIA.	OVERALL DEPTH	BOLT CIRCLE DIA.	BOLT HOLES		PILOT DIA.
				DIAMETER	NUMBER	
23-123642-002	17.087	5.644	10.500	.63-18 UNF	10	8.500



# DRIVE AXLE HUBS

**FOR AXLE MODELS:** Eaton 18, 23 26, 38D, 44D, D380, D381, D400 (Tag Axles 25LD, H25LD)  
 Meritor RD-22-145, RS-21-145, RS-21-230, RS-23-160, RS-23-161, RS-23-180, RS-23-240, RD-23-380,  
 RS-24-160, RS-26-180, RS-26-380, RT-40-145, RT-44-145, RT-46-160, RT-48-180, RT-48-380, RT-52-160,  
 RT-52-180, RT-53-380, SQ100, SQR100, SSHD (Tag Axles TR, TRD, TT)

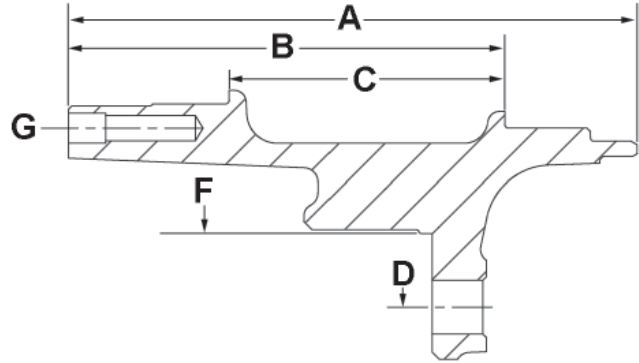
HUB NO.	DESCRIPTION	TYPE
04-16002-XXX	Drive Axle Hub Outboard Drum	8 Hole Serrated Studs

## INNER BEARING

CUP	CONE	BOLT CIRCLE
592A	598A or 594A	10.827"

## OUTER BEARING

CUP	CONE
572	580



DRAWING REFERENCE	ITEM	DIMENSION
A	Overall Length	8.90"
B	Outer Hub Cap Face To Inner Bearing Cup Seat	6.90"
C	Distance Between Cups	4.307"
D	Bolt Circle Diameter	10.827"
E	Wheel Stud Quantity	8
F	Pilot Diameter	8.689"
G	Hub Cap Hole Pattern	8, 5/8"-11; 7.00" B.C.

## HUB PILOTED - Hub Assemblies without Drum or Rotor

HUB PART NUMBER	HAND	WHEEL TYPE	DRUM TYPE	WHEEL STUD NUMBER	DRIVE FLANGE STUD NUMBER	ABS RING NUMBER
04-16002-098-P72	RH			09-002003	08-008551	

## HUB PILOTED - Hub and Rotor Assembly

HUB PART NUMBER	WHEEL TYPE	WHEEL STUD NUMBER	DRIVE FLANGE STUD NUMBER	ABS RING NUMBER	ROTOR NUMBER	ROTOR O.D.
16-16002-1000		09-002003	08-008551	3237T1242	23-123632-002	14.88

## WHEEL STUDS USED WITH HUB IN ASSEMBLIES

WHEEL STUD NO.	THREAD TYPE SIZE	STYLE	WHEEL TYPE	USE WITH DRUM TYPE
09-002003	Serrated M22 x 1.5	Hub Piloted	Aluminum Wheel	Cast

## DRIVE FLANGE STUDS USED WITH HUB IN ASSEMBLIES

DRIVE FLANGE STUD	OVERALL LENGTH	BODY DIAMETER	HUB END		NUT END	
			THREAD SIZE	THREAD LENGTH	THREAD SIZE	THREAD LENGTH
08-008551	2.94"	.63"	.63"-11	.85"	.63"-18	1.38"

## ROTORS USED WITH HUB IN ASSEMBLIES

ROTOR PART NO.	OUTSIDE DIA.	OVERALL DEPTH	BOLT CIRCLE DIA.	BOLT HOLES		
				DIAMETER	NUMBER	PILOT DIA.
23-123632-002	14.882	6.285	10.500	.63-18 UNF	8	8.610

# DRIVE AXLE HUBS

**FOR AXLE MODELS: Meritor MC26000, 71163**

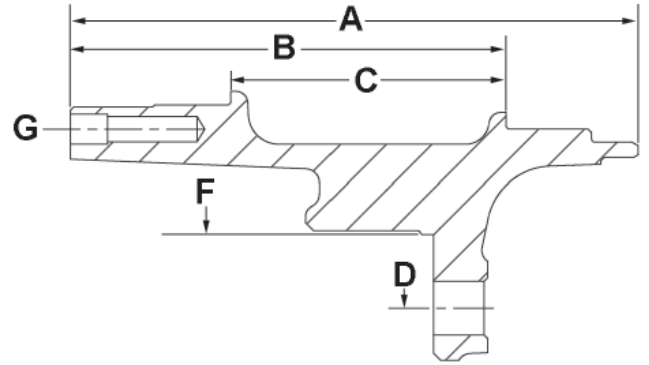
HUB NO.	DESCRIPTION	TYPE
04-16009-XXX	Drive Axle Hub Outboard Drum	10 Hole Serrated Studs

## INNER BEARING

CUP	CONE	BOLT CIRCLE
653		13.189"

## OUTER BEARING

CUP	CONE
6535	



DRAWING REFERENCE	ITEM	DIMENSION
A	Overall Length	9.975"
B	Outer Hub Cap Face To Inner Bearing Cup Seat	5.128"
C	Distance Between Cups	3.938"
D	Bolt Circle Diameter	13.189"
E	Wheel Stud Quantity	10
F	Pilot Diameter	11.051"
G	Hub Cap Hole Pattern	10, 9/16"-12; 7.25" B.C.

## HUB PILOTED - Hub Assemblies without Drum or Rotor

HUB PART NUMBER	HAND	WHEEL TYPE	DRUM TYPE	WHEEL STUD NUMBER	DRIVE FLANGE STUD NUMBER	ABS RING NUMBER
04-16009-002	RH			09-001989	4-X-1612	
04-16009-003	RH			09-002003	4-X-1612	

## HUB PILOTED - Hub and Rotor Assembly

HUB PART NUMBER	WHEEL TYPE	WHEEL STUD NUMBER	DRIVE FLANGE STUD NUMBER	ABS RING NUMBER	ROTOR NUMBER	ROTOR O.D.
16-16009-1001		09-002003	4-X-1612	09-002165	23-123647-002	17.09

## WHEEL STUDS USED WITH HUB IN ASSEMBLIES

WHEEL STUD NO.	THREAD TYPE SIZE	STYLE	WHEEL TYPE	USE WITH DRUM TYPE
09-001989	Serrated M22 x 1.5	Hub Piloted	Steel Wheel	Cast
09-002003	Serrated M22 x 1.5	Hub Piloted	Aluminum Wheel	Cast

## DRIVE FLANGE STUDS USED WITH HUB IN ASSEMBLIES

DRIVE FLANGE STUD	OVERALL LENGTH	BODY DIAMETER	THREAD SIZE	HUB END		NUT END	
				THREAD LENGTH	THREAD SIZE	THREAD LENGTH	
4-X-1612	2.50"	.56"	.56"-12	.84"	.56"-18	.91"	

## ROTORS USED WITH HUB IN ASSEMBLIES

ROTOR PART NO.	OUTSIDE DIA.	OVERALL DEPTH	BOLT CIRCLE DIA.	BOLT HOLES		
				DIAMETER	NUMBER	PILOT DIA.
23-123647-002	17.087	5.644	9.823	M16x2	10	7.638

# DRIVE AXLE HUBS

FOR AXLE MODELS: **Meritor 61000**

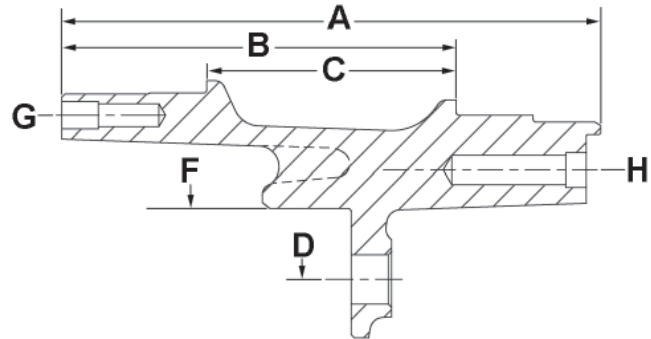
HUB NO.	DESCRIPTION	TYPE
04-16012-XXX	Drive Axle Hub Outboard Drum	10 Hole Serrated Stud

## INNER BEARING

CUP	CONE	BOLT CIRCLE
653		13.189"

## OUTER BEARING

CUP	CONE
6535	



DRAWING REFERENCE	ITEM	DIMENSION
A	Overall Length	8.575"
B	Outer Hub Cap Face To Inner Bearing Cup Seat	5.128"
C	Distance Between Cups	3.398"
D	Bolt Circle Diameter	13.189"
E	Wheel Stud Quantity	10
F	Pilot Diameter	11.25"
G	Hub Cap Hole Pattern	10, 9/16"-12; 7.25" B.C.
H	Drive Flange Hole Pattern	6, 5/16"-18; 6.94" B.C.

## HUB PILOTED - Hub Assemblies without Drum or Rotor

HUB PART NUMBER	HAND	WHEEL TYPE	DRUM TYPE	WHEEL STUD NUMBER	DRIVE FLANGE STUD NUMBER	ABS RING NUMBER
04-16012-002	RH			09-002004	4-X-1612	
04-16012-003	RH			09-002229	4-X-1612	

## WHEEL STUDS USED WITH HUB IN ASSEMBLIES

WHEEL STUD NO.	THREAD TYPE SIZE	STYLE	WHEEL TYPE	USE WITH DRUM TYPE
09-002004	Serrated M22 x 1.5	Hub Piloted	Aluminum, Steel	Cast
09-002229	Serrated M22 x 1.5	Hub Piloted		

## DRIVE FLANGE STUDS USED WITH HUB IN ASSEMBLIES

DRIVE FLANGE STUD	OVERALL LENGTH	BODY DIAMETER	THREAD SIZE	HUB END		NUT END	
				THREAD LENGTH	THREAD SIZE	THREAD LENGTH	
4-X-1612	2.50"	.56"	.56"-12	.84"	.56"-18	.91"	

# DRIVE AXLE HUBS

**FOR AXLE MODELS:** Eaton 18, 23 26, 38D, 44D, D380, D381, D400 (Tag Axles 25LD, H25LD)  
 Meritor RD-22-145, RS-21-145, RS-21-230, RS-23-160, RS-23-161, RS-23-180, RS-23-240, RD-23-380,  
 RS-24-160, RS-26-180, RS-26-380, RT-40-145, RT-44-145, RT-46-160, RT-48-180, RT-48-380, RT-52-160,  
 RT-52-180, RT-53-380, SQ100, SQR100, SSHD (Tag Axles TR, TRD, TT)

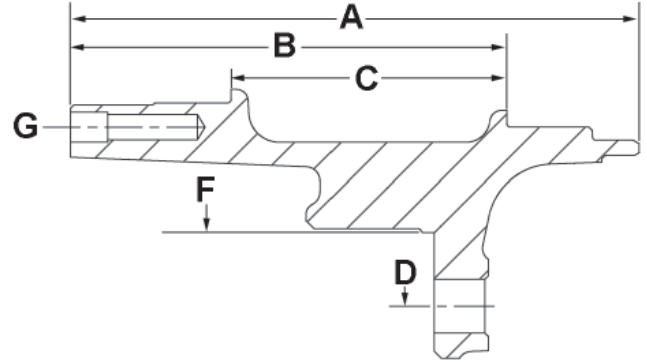
HUB NO.	DESCRIPTION	TYPE
04-16062-XXX	Drive Axle Hub Outboard Drum	10 Hole Serrated Studs

### INNER BEARING

CUP	CONE	BOLT CIRCLE
592A	598A or 594A	11.25"

### OUTER BEARING

CUP	CONE
572	580



DRAWING REFERENCE	ITEM	DIMENSION
A	Overall Length	9.75"
B	Outer Hub Cap Face To Inner Bearing Cup Seat	7.75"
C	Distance Between Cups	4.307"
D	Bolt Circle Diameter	11.25"
E	Wheel Stud Quantity	10
F	Pilot Diameter	8.78"
G	Hub Cap Hole Pattern	8, 5/8"-11; 7.00" B.C.

### HUB PILOTED - Hub Assemblies without Drum or Rotor

HUB PART NUMBER	HAND	WHEEL TYPE	DRUM TYPE	WHEEL STUD NUMBER	DRIVE FLANGE STUD NUMBER	ABS RING NUMBER
04-16062-005	RH			09-001989	08-008551	3237H1256
04-16062-007	RH			09-002003	08-008551	3237H1256
04-16062-020	RH			09-001728	08-205740	
04-16062-021	RH			09-002004	08-008551	3237S1293

### HUB PILOTED - Hub and Drum Assemblies

HUB PART NUMBER	WHEEL TYPE	DRUM TYPE	WHEEL STUD	DRIVE FLANGE STUD NUMBER	ABS RING NUMBER	DRUM SIZE	DRUM NUMBER	DRUM POSITION
14-16062-1000MTB	Steel	Cast	09-001728	08-205740	3237H1256	16.5 x 7	85-123207-002	Outboard
14-16062-1010MTB	Aluminum	Cast	09-002003	08-008551	3237H1256	16.5 x 7	85-123207-002	Outboard
14-16062-1029MTB	Aluminum, Steel	Cast	09-001989	08-008551		16.5 x 7	85-123365-002	Outboard
14-16062-1030MTB	Aluminum	Cast	09-001989	08-008551	3237H1256	16.5 x 7	85-123365-002	Outboard

# DRIVE AXLE HUBS

## WHEEL STUDS USED WITH HUB IN ASSEMBLIES

WHEEL STUD NO.	THREAD TYPE SIZE	STYLE	WHEEL TYPE	USE WITH DRUM TYPE
09-001728	Serrated M22 x 1.5	Hub Piloted	Aluminum, Steel	Cast
09-001989	Serrated M22 x 1.5	Hub Piloted	Steel Wheel	Cast
09-002003	Serrated M22 x 1.5	Hub Piloted	Aluminum Wheel	Cast
09-002004	Serrated M22 x 1.5	Hub Piloted	Aluminum, Steel	Cast

## DRIVE FLANGE STUDS USED WITH HUB IN ASSEMBLIES

DRIVE FLANGE STUD	OVERALL LENGTH	BODY DIAMETER	HUB END		NUT END	
			THREAD SIZE	THREAD LENGTH	THREAD SIZE	THREAD LENGTH
08-008551	2.94"	.63"	.63"-11	.85"	.63"-18	1.38"
08-205740	2.94"	.63"	.63"-11	.86"	.63"-11	1.38"

## DRUMS USED WITH HUB IN ASSEMBLIES

DRUM NO.	DRUM TYPE	BRAKE SIZE	OVERALL DEPTH	PILOT DIAMETER
85-123207-002	Cast MTB	16.50" x 7.00"	10.54"	8.78"
85-123365-002	Cast MTB	16.50" x 7.00"	10.59"	8.78"

# FRONT AXLE HUBS

**FOR AXLE MODELS:** Dana Spicer I-100, I-120, I-140, W15  
 Eaton EFA-12F3, EFA-12F4, EFA-13F4  
 Meritor FF-931, FF-941, FF-942, FF-943, FF-944, FF-961, FG-931, FG-900, FG-941, FG-943  
 Westport F3W-1200, F3W-1400, F6W-1200, F6W-1400

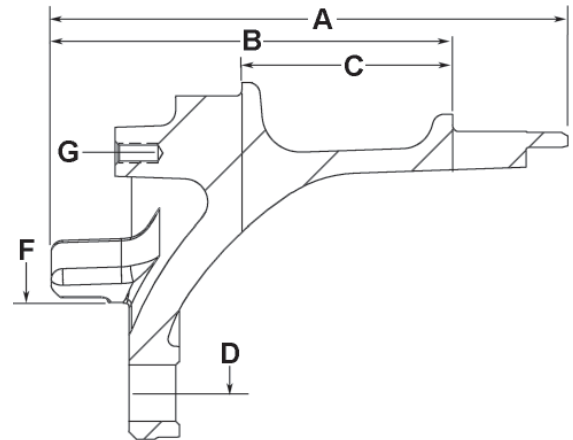
HUB NO.	DESCRIPTION	TYPE
05-15633-XXX	Front Axle Hub Outboard Drum	10 Hole Serrated Studs

## INNER BEARING

CUP	CONE	BOLT CIRCLE
HM212011	HM212047 or HM212049	11.25"

## OUTER BEARING

CUP	CONE
3720	3782



DRAWING REFERENCE	ITEM	DIMENSION
A	Overall Length	8.127"
B	Outer Hub Cap Face To Inner Bearing Cup Seat	4.44"
C	Distance Between Cups	3.375"
D	Bolt Circle Diameter	11.25"
E	Wheel Stud Quantity	10
F	Pilot Diameter	8.77"
G	Hub Cap Hole Pattern	6, 5/16"-18; 4.50" B.C.

## STUD PILOTED - Hub Assemblies without Drum or Rotor

HUB PART NUMBER	HAND	WHEEL TYPE	DRUM TYPE	WHEEL STUD	ABS RING NUMBER
05-15633-002	RH			09-001999	
05-15633-003	LH			09-002000	

## STUD PILOTED - Hub and Drum Assemblies

HUB PART NUMBER	HAND	WHEEL TYPE	DRUM TYPE	WHEEL STUD	ABS RING NUMBER	DRUM SIZE	DRUM NUMBER	DRUM POSITION
15-15633-1000MTB	RH	Steel	Cast	09-001925		15 x 4	85-123420-002	Outboard
15-15633-1001MTB	LH	Steel	Cast	09-001926		15 x 4	85-123420-002	Outboard

## WHEEL STUDS USED WITH HUB IN ASSEMBLIES

WHEEL STUD NO.	THREAD TYPE SIZE	STYLE	WHEEL TYPE	USE WITH DRUM TYPE
09-001925	Serrated 1-1/8"-16 R	Stud Piloted	Steel	Cast
09-001926	Serrated 1-1/8"-16 L	Stud Piloted	Steel	Cast
09-001999	Serrated 1-1/8"-16 R	Stud Piloted	Aluminum	Cast
09-002000	Serrated 1-1/8"-16 R	Stud Piloted	Aluminum	Cast

## DRUMS USED WITH HUB IN ASSEMBLIES

DRUM NO.	DRUM TYPE	BRAKE SIZE	OVERALL DEPTH	PILOT DIAMETER
85-123420-002	Cast MTB	15.00" x 4.00"	8.85"	8.78"

# FRONT AXLE HUBS

**FOR AXLE MODELS:** Dana Spicer I-100, I-120, I-140, W15  
 Eaton EFA-12F3, EFA-12F4, EFA-13F4  
 Meritor FF-931, FF-941, FF-942, FF-943, FF-944, FF-961, FG-931, FG-900, FG-941, FG-943  
 Westport F3W-1200, F3W-1400, F6W-1200, F6W-1400

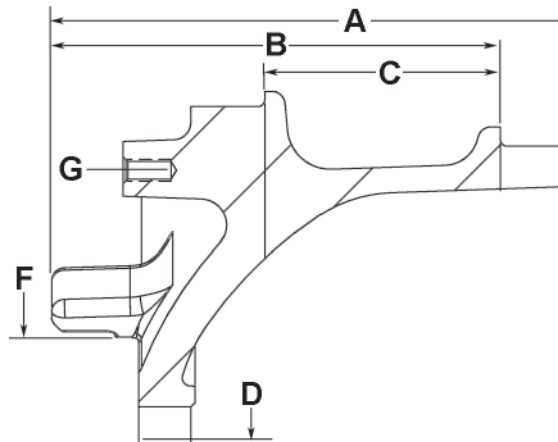
HUB NO.	DESCRIPTION	TYPE
05-15756-XXX	Front Axle Hub Outboard Drum	10 Hole Serrated Studs

## INNER BEARING

CUP	CONE	BOLT CIRCLE
HM212011	HM212047 or HM212049	13.189"

## OUTER BEARING

CUP	CONE
3720	3782



DRAWING REFERENCE	ITEM	DIMENSION
A	Overall Length	8.49"
B	Outer Hub Cap Face To Inner Bearing Cup Seat	5.41"
C	Distance Between Cups	3.375"
D	Bolt Circle Diameter	13.189"
E	Wheel Stud Quantity	10
F	Pilot Diameter	11.25"
G	Hub Cap Hole Pattern	6, 5/16"-18; 5.50" B.C.

## HUB PILOTED - Hub Assemblies without Drum or Rotor

HUB PART NUMBER	WHEEL TYPE	DRUM TYPE	WHEEL STUD	ABS RING NUMBER
05-15756-002			09-001727	09-001866
05-15756-003			09-001988	09-001866

## HUB PILOTED - Hub and Drum Assemblies

HUB PART NUMBER	WHEEL TYPE	DRUM TYPE	WHEEL STUD NUMBER	ABS RING NUMBER	DRUM SIZE	DRUM NUMBER	DRUM POSITION
15-15756-102	Steel	Cast	09-001988		16.5 x 5	13-123219-002	Outboard
15-15756-300	Steel	Cast	09-001988	09-001866	16.5 x 6	13-123302-002	Outboard
15-15756-301	Aluminum	Cast	09-001727	09-001866	16.5 x 6	13-123302-002	Outboard

## WHEEL STUDS USED WITH HUB IN ASSEMBLIES

WHEEL STUD NO.	THREAD TYPE SIZE	STYLE	WHEEL TYPE	USE WITH DRUM TYPE
09-001727	Serrated M22 x 1.5	Hub Piloted	Aluminum Wheel	X30
09-001988	Serrated M22 x 1.5	Hub Piloted	Steel	Cast

## DRUMS USED WITH HUB IN ASSEMBLIES

DRUM NO.	DRUM TYPE	BRAKE SIZE	OVERALL DEPTH	PILOT DIAMETER
13-123219-002	Cast Weld-to-Balance	16.50" x 5.00"	9.16"	11.25"
13-123302-002	Cast Balanced	16.50" x 6.00"	9.75"	11.25"

# FRONT AXLE HUBS

**FOR AXLE MODELS: GMC**

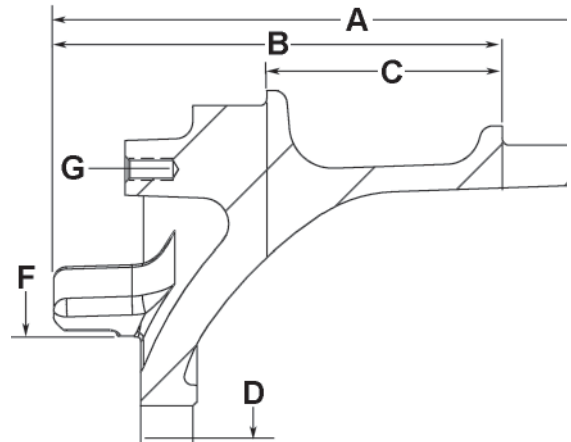
HUB NO.	DESCRIPTION	TYPE
05-15863-XXX	Front Axle Hub Outboard Drum	10 Hole Serrated Studs

## INNER BEARING

CUP	CONE	BOLT CIRCLE
JM205110		11.25"

## OUTER BEARING

CUP	CONE
JF7010	



DRAWING REFERENCE	ITEM	DIMENSION
A	Overall Length	8.73"
B	Outer Hub Cap Face To Inner Bearing Cup Seat	3.85"
C	Distance Between Cups	2.086"
D	Bolt Circle Diameter	11.25"
E	Wheel Stud Quantity	10
F	Pilot Diameter	8.777"
G	Hub Cap Hole Pattern	6, 5/16"-18; 4.50" B.C.

HUB PART NUMBER	ABS RING NUMBER	COMMENTS
05-15863-002		Wheel studs not included
05-15863-003	09-002046	



# FRONT AXLE HUBS

**FOR AXLE MODELS:** Hino

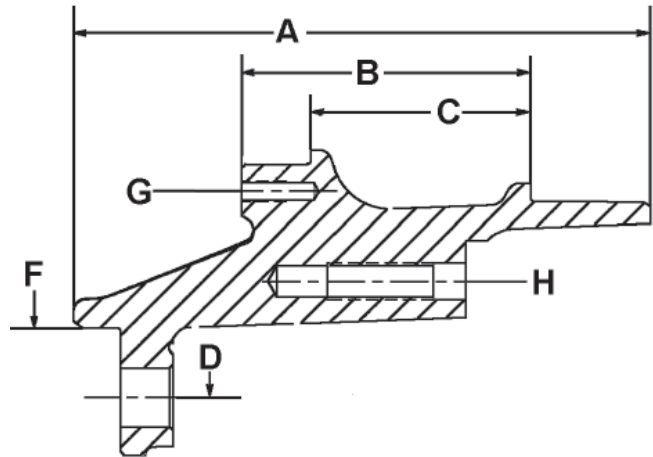
HUB NO.	DESCRIPTION	TYPE
05-15871-XXX	Front Axle Hub Outboard Drum	8 Hole Serrated Studs

## INNER BEARING

CUP	CONE	BOLT CIRCLE
JM205110		10.827"

## OUTER BEARING

CUP	CONE
Y32207	



DRAWING REFERENCE	ITEM	DIMENSION
A	Overall Length	8.45"
B	Outer Hub Cap Face To Inner Bearing Cup Seat	3.69"
C	Distance Between Cups	6.767"
D	Bolt Circle Diameter	10.827"
E	Wheel Stud Quantity	8
F	Pilot Diameter	8.69"
G	Hub Cap Hole Pattern	6, 5/16"-18; 4.50" B.C.
H	Rotor Mounting Hole Pattern	5, 5/8"-11; 6.75" B.C.

HUB PART NUMBER	ABS RING NUMBER	COMMENTS
05-15871-002		Wheel studs not included
05-15871-003	09-002122	

# FRONT AXLE HUBS

**FOR AXLE MODELS: GMC**

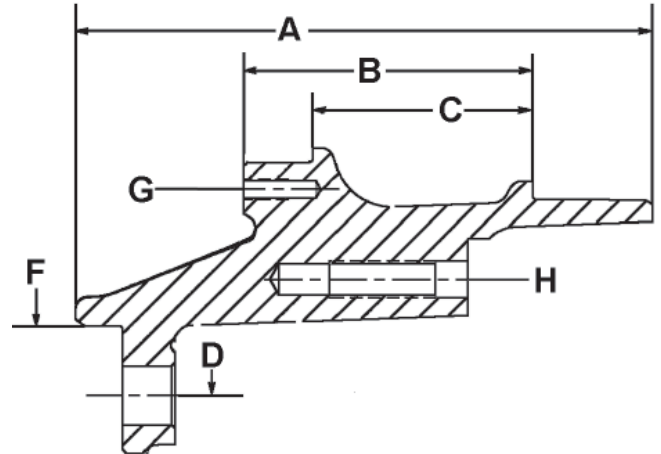
HUB NO.	DESCRIPTION	TYPE
05-15873-XXX	Front Axle Hub Outboard Drum	10 Hole Serrated Studs

## INNER BEARING

CUP	CONE	BOLT CIRCLE
JM205110		11.25"

## OUTER BEARING

CUP	CONE
Y32207	



DRAWING REFERENCE	ITEM	DIMENSION
A	Overall Length	8.649"
B	Outer Hub Cap Face To Inner Bearing Cup Seat	3.709"
C	Distance Between Cups	1.744"
D	Bolt Circle Diameter	11.25"
E	Wheel Stud Quantity	10
F	Pilot Diameter	8.649"
G	Hub Cap Hole Pattern	6, 5/16"-18; 4.50 B.C.
H	Rotor Mounting Hole Pattern	5, 5/8"-11; 6.75" B.C.

HUB PART NUMBER	ABS RING NUMBER	COMMENTS
05-15873-002		Wheel studs not included
05-15873-003	09-002122	

# FRONT AXLE HUBS

**FOR AXLE MODELS: GMC**

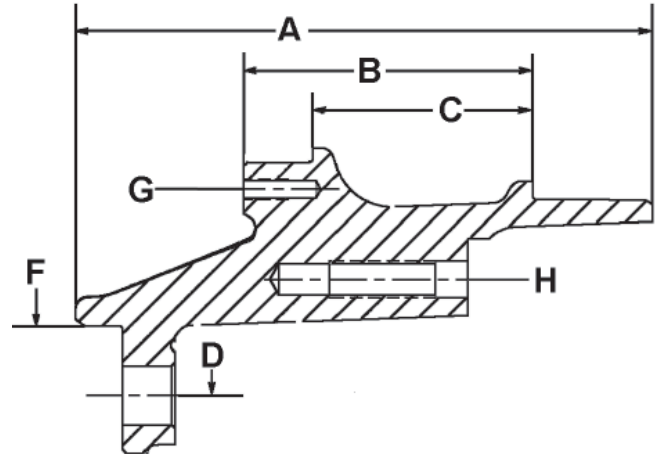
HUB NO.	DESCRIPTION	TYPE
05-15874-XXX	Front Axle Hub Outboard Drum	10 Hole Serrated Studs

## INNER BEARING

CUP	CONE	BOLT CIRCLE
Y33212		11.25"

## OUTER BEARING

CUP	CONE
Y32208	



DRAWING REFERENCE	ITEM	DIMENSION
A	Overall Length	8.965"
B	Outer Hub Cap Face To Inner Bearing Cup Seat	3.679"
C	Distance Between Cups	2.054"
D	Bolt Circle Diameter	11.25"
E	Wheel Stud Quantity	10
F	Pilot Diameter	8.647"
G	Hub Cap Hole Pattern	6, 5/16"-18; 4.50" B.C.
H	Rotor Mounting Hole Pattern	10, 9/16"-12; 7.25" B.C.

HUB PART NUMBER	ABS RING NUMBER	COMMENTS
05-15874-002		Wheel studs not included
05-15874-003	09-002121	

# FRONT AXLE HUBS

**FOR AXLE MODELS:** Dana Spicer I-100, I-120, I-140, W15  
 Eaton EFA-12F3, EFA-12F4, EFA-13F4  
 Meritor FF-931, FF-941, FF-942, FF-943, FF-944, FF-961, FG-931, FG-900, FG-941, FG-943  
 Westport F3W-1200, F3W-1400, F6W-1200, F6W-1400

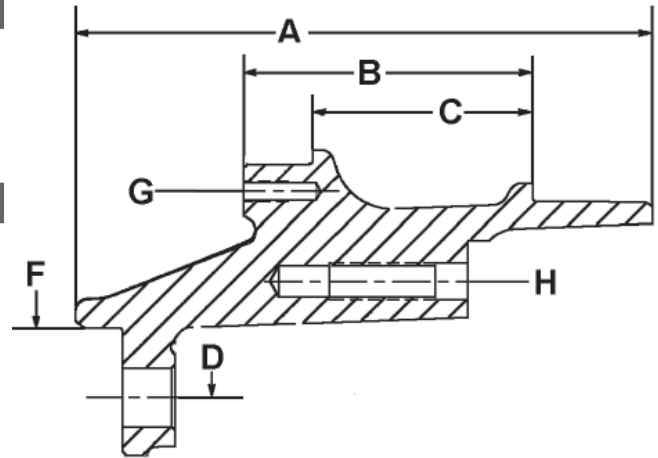
HUB NO.	DESCRIPTION	TYPE
05-15897-XXX	Front Axle Hub Outboard Drum	10 Hole Serrated Studs

## INNER BEARING

CUP	CONE	BOLT CIRCLE
HM212011	HM212047 or HM212049	11.25"

## OUTER BEARING

CUP	CONE
3720	3782



DRAWING REFERENCE	ITEM	DIMENSION
A	Overall Length	8.26"
B	Outer Hub Cap Face To Inner Bearing Cup Seat	4.33"
C	Distance Between Cups	3.38"
D	Bolt Circle Diameter	11.25"
E	Wheel Stud Quantity	10
F	Pilot Diameter	8.65"
G	Hub Cap Hole Pattern	6, 5/16"-18; 4.50" B.C.
H	Rotor Mounting Hole Pattern	10, 9/16"-12; 7.25" B.C.

## STUD PILOTED - Hub Assemblies without Drum or Rotor

HUB PART NUMBER	HAND	WHEEL TYPE	DRUM TYPE	WHEEL STUD	ABS RING NUMBER
05-15897-002	RH			09-001910	
05-15897-003	LH			09-001911	
05-15897-008	RH			20-X-2551	
05-15897-009	LH			20-X-2552	

## HUB PILOTED - Hub Assemblies without Drum or Rotor

HUB PART NUMBER	WHEEL TYPE	DRUM TYPE	WHEEL STUD	ABS RING NUMBER
05-15897-004			09-001958	
05-15897-005			09-001988	

## WHEEL STUDS USED WITH HUB IN ASSEMBLIES

WHEEL STUD NO.	THREAD TYPE SIZE	STYLE	WHEEL TYPE	USE WITH DRUM TYPE
09-001910	Serrated 3/4"-16 R	Stud Piloted	Steel Wheel	Cast
09-001911	Serrated 3/4"-16 L	Stud Piloted	Steel Wheel	Cast
09-001958	Serrated M22 x 1.5	Hub Piloted		
09-001988	Serrated M22 x 1.5	Hub Piloted	Steel	Cast
20-X-2551	Serrated 3/4"-16 R	Stud Piloted		
20-X-2552	Serrated 3/4"-16 L	Stud Piloted		

# FRONT AXLE HUBS

**FOR AXLE MODELS:** Dana Spicer I-160, I-180, I-200, I-220  
Meritor FG-942, FL-931, FL-941, FL-943, FL-951

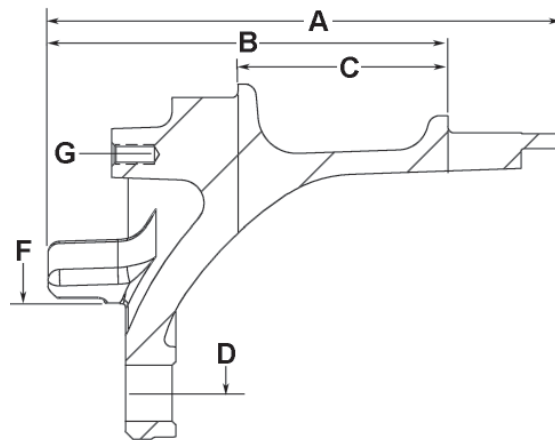
HUB NO.	DESCRIPTION	TYPE
05-15903-XXX	Front Axle Hub Outboard Drum	10 Hole Serrated Stud

## INNER BEARING

CUP	CONE	BOLT CIRCLE
6420	6461A	11.25"

## OUTER BEARING

CUP	CONE
552A	555S



DRAWING REFERENCE	ITEM	DIMENSION
A	Overall Length	6.89"
B	Outer Hub Cap Face To Inner Bearing Cup Seat	4.145"
C	Distance Between Cups	2.335"
D	Bolt Circle Diameter	11.25"
E	Wheel Stud Quantity	10
F	Pilot Diameter	8.65"
G	Hub Cap Hole Pattern	6, 3/8"-16; 6.00 B.C.

## HUB PILOTED - Hub Assemblies without Drum or Rotor

HUB PART NUMBER	WHEEL TYPE	DRUM TYPE	WHEEL STUD	ABS RING NUMBER
05-15903-030			09-001988	09-002166

## HUB PILOTED - Hub and Rotor Assemblies

HUB PART NUMBER	WHEEL TYPE	WHEEL STUD NUMBER	ABS RING NUMBER	ROTOR NUMBER	ROTOR O.D.
17-15903-050		09-001988	09-002166	23-123547-002	17.24

## WHEEL STUDS USED WITH HUB IN ASSEMBLIES

WHEEL STUD NO.	THREAD TYPE SIZE	STYLE	WHEEL TYPE	USE WITH DRUM TYPE
09-001988	Serrated M22 x 1.5	Hub Piloted	Steel	Cast

## ROTORS USED WITH HUB IN ASSEMBLIES

ROTOR PART NO.	OUTSIDE DIA.	OVERALL DEPTH	BOLT CIRCLE DIA.	BOLT HOLES		PILOT DIA.
				DIAMETER	NUMBER	
23-123547-002	17.240	5.640	9.823	.63-18 UNF	10	7.630

# FRONT AXLE HUBS

**FOR AXLE MODELS:** Dana Spicer I-160, I-180, I-200, I-220  
 Eaton EFA-18F3, EFA-20T2, EFA-22T2/T5, EFA-24T2/T5  
 Meritor FG-942, FL-931, FL-941, FL-943, FL-951

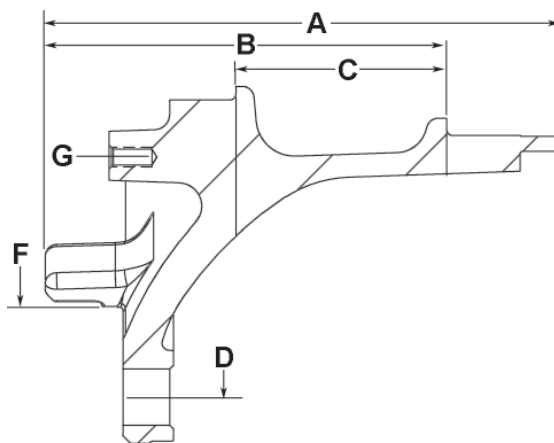
HUB NO.	DESCRIPTION	TYPE
05-15925-XXX	Front Axle Hub Outboard drum	10 Hole Serrated Studs

## INNER BEARING

CUP	CONE	BOLT CIRCLE
6420	6461A	11.25"

## OUTER BEARING

CUP	CONE
552A	555S



DRAWING REFERENCE	ITEM	DIMENSION
A	Overall Length	7.29"
B	Outer Hub Cap Face To Inner Bearing Cup Seat	4.146"
C	Distance Between Cups	2.335"
D	Bolt Circle Diameter	11.25"
E	Wheel Stud Quantity	10
F	Pilot Diameter	8.777"
G	Hub Cap Hole Pattern	6, 3/8"-16; 6.00" B.C.

## STUD PILOTED - Hub Assemblies without Drum or Rotor

HUB PART NUMBER	HAND	WHEEL TYPE	DRUM TYPE	WHEEL STUD	ABS RING NUMBER
05-15925-002	RH			09-001999	09-002134
05-15925-003	LH			09-002000	09-002134
05-15925-004	RH			09-002173	09-002134

## WHEEL STUDS USED WITH HUB IN ASSEMBLIES

WHEEL STUD NO.	THREAD TYPE SIZE	STYLE	WHEEL TYPE	USE WITH DRUM TYPE
09-001999	Serrated 1-1/8"-16 R	Stud Piloted	Aluminum	Cast
09-002000	Serrated 1-1/8"-16 R	Stud Piloted	Aluminum	Cast
09-002173	Serrated 7/8"-14 R	Stud Piloted	Steel	Cast

# FRONT AXLE HUBS

**FOR AXLE MODELS: Meritor FC-941**

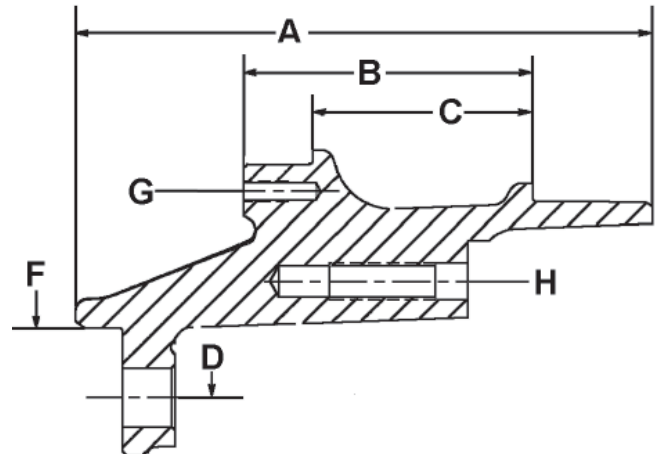
HUB NO.	DESCRIPTION	TYPE
05-15931-XXX	Front Axle Hub Outboard Drum	8 Hole Serrated Studs

## INNER BEARING

CUP	CONE	BOLT CIRCLE
JM207010	JM207049	10.827"

## OUTER BEARING

CUP	CONE
25820	25878



DRAWING REFERENCE	ITEM	DIMENSION
A	Overall Length	8.26"
B	Outer Hub Cap Face To Inner Bearing Cup Seat	4.36"
C	Distance Between Cups	2.92"
D	Bolt Circle Diameter	10.827"
E	Wheel Stud Quantity	8
F	Pilot Diameter	8.689"
G	Hub Cap Hole Pattern	4, 5/16"-18; 3.625" B.C.
H	Rotor Mounting Hole Pattern	5, 3/4"-10; 6.75" B.C.

## HUB PILOTED - Hub Assemblies without Drum or Rotor

HUB PART NUMBER	WHEEL TYPE	DRUM TYPE	WHEEL STUD	ABS RING NUMBER
05-15931-002			09-001958	
05-15931-003			09-001988	

## WHEEL STUDS USED WITH HUB IN ASSEMBLIES

WHEEL STUD NO.	THREAD TYPE SIZE	STYLE	WHEEL TYPE	USE WITH DRUM TYPE
09-001958	Serrated M22 x 1.5	Hub Piloted		
09-001988	Serrated M22 x 1.5	Hub Piloted	Steel	Cast

## ROTORS USED WITH HUB IN ASSEMBLIES

ROTOR PART NO.	OUTSIDE DIA.	OVERALL DEPTH	BOLT CIRCLE DIA.	BOLT HOLES		PILOT DIA.
				DIAMETER	NUMBER	
23-123573-009	15.000	3.500	6.750	0.781	5	5.400

# FRONT AXLE HUBS

**FOR AXLE MODELS:** Dana, ITE

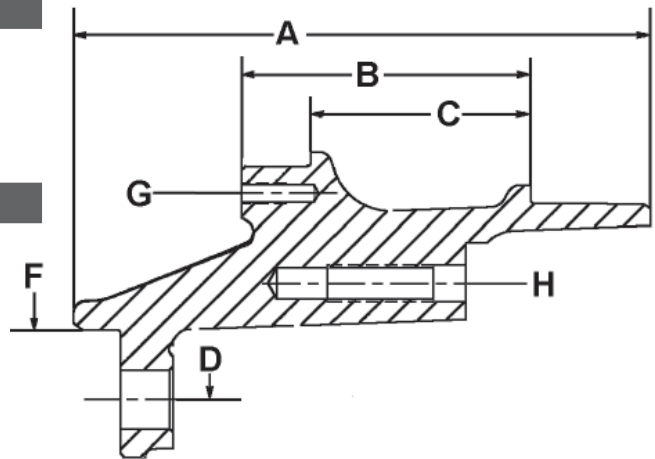
HUB NO.	DESCRIPTION	TYPE
05-15932-XXX	Front Axle Hub Outboard Drum	8 Hole Serrated Studs

## INNER BEARING

CUP	CONE	BOLT CIRCLE
JM205110	JM207049	10.827"

## OUTER BEARING

CUP	CONE
25820	25878



DRAWING REFERENCE	ITEM	DIMENSION
A	Overall Length	8.26"
B	Outer Hub Cap Face To Inner Bearing Cup Seat	4.40"
C	Distance Between Cups	2.96"
D	Bolt Circle Diameter	10.827"
E	Wheel Stud Quantity	8
F	Pilot Diameter	8.689"
G	Hub Cap Hole Pattern	4, 5/16"-18; 3.625" B.C.
H	Rotor Mounting Hole Pattern	5, 3/4"-10; 6.75" B.C.

## HUB PILOTED - Hub Assemblies without Drum or Rotor

HUB PART NUMBER	WHEEL TYPE	DRUM TYPE	WHEEL STUD	ABS RING NUMBER
05-15932-002			09-001958	
05-15932-003			09-001988	

## WHEEL STUDS USED WITH HUB IN ASSEMBLIES

WHEEL STUD NO.	THREAD TYPE SIZE	STYLE	WHEEL TYPE	USE WITH DRUM TYPE
09-001958	Serrated M22 x 1.5	Hub Piloted		
09-001988	Serrated M22 x 1.5	Hub Piloted	Steel	Cast

## ROTORS USED WITH HUB IN ASSEMBLIES

ROTOR PART NO.	OUTSIDE DIA.	OVERALL DEPTH	BOLT CIRCLE DIA.	BOLT HOLES		PILOT DIA.
				DIAMETER	NUMBER	
23-123573-009	15.000	3.500	6.750	0.781	5	5.400



# FRONT AXLE HUBS

**FOR AXLE MODELS:** Dana I-75, I-80  
Meritor FC-931, FC-941  
Navistar O2ADB, O2101, O2103, O2104

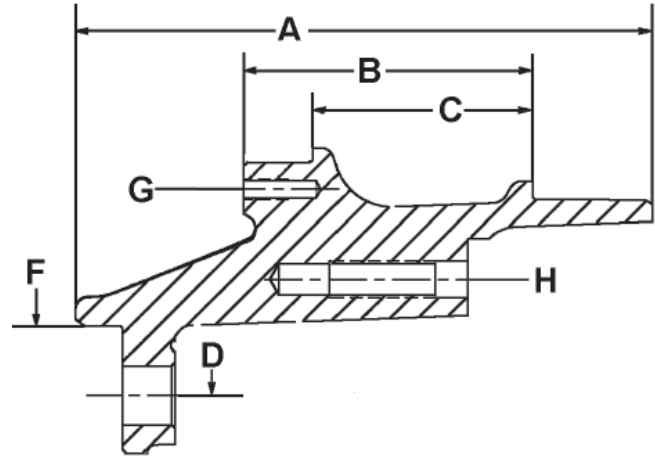
HUB NO.	DESCRIPTION	TYPE
05-15935-XXX	Front Axle Hub Outboard Drum	10 Hole Serrated Studs

## INNER BEARING

CUP	CONE	BOLT CIRCLE
JM207010	JM207049 (A)	11.250"

## OUTER BEARING

CUP	CONE
25820	25877



DRAWING REFERENCE	ITEM	DIMENSION
A	Overall Length	8.34"
B	Outer Hub Cap Face To Inner Bearing Cup Seat	4.36"
C	Distance Between Cups	2.92"
D	Bolt Circle Diameter	11.25"
E	Wheel Stud Quantity	10
F	Pilot Diameter	8.65"
G	Hub Cap Hole Pattern	4, 5/16"-18; 3.625" B.C.
H	Rotor Mounting Hole Pattern	5, 3/4"-10; 6.75" B.C.

## STUD PILOTED - Hub Assemblies without Drum or Rotor

HUB PART NUMBER	HAND	WHEEL TYPE	DRUM TYPE	WHEEL STUD	ABS RING NUMBER
05-15935-002	RH			09-001997	
05-15935-003	LH			09-001998	

## HUB PILOTED - Hub Assemblies without Drum or Rotor

HUB PART NUMBER	WHEEL TYPE	DRUM TYPE	WHEEL STUD	ABS RING NUMBER
05-15935-004			09-001958	
05-15935-005			09-001988	

## FRONT AXLE HUBS

### WHEEL STUDS USED WITH HUB IN ASSEMBLIES

WHEEL STUD NO.	THREAD TYPE SIZE	STYLE	WHEEL TYPE	USE WITH DRUM TYPE
09-001958	Serrated M22 x 1.5	Hub Piloted		
09-001988	Serrated M22 x 1.5	Hub Piloted	Steel	Cast
09-001997	Serrated 3/4"-16 R	Stud Piloted		
09-001998	Serrated 3/4"-16 L	Stud Piloted		

### ROTORS USED WITH HUB IN ASSEMBLIES

ROTOR PART NO.	OUTSIDE DIA.	OVERALL DEPTH	BOLT CIRCLE DIA.	BOLT HOLES		
				DIAMETER	NUMBER	PILOT DIA.
23-123573-009	15.000	3.500	6.750	0.781	5	5.400

# FRONT AXLE HUBS

**FOR AXLE MODELS: Meritor FC-941**

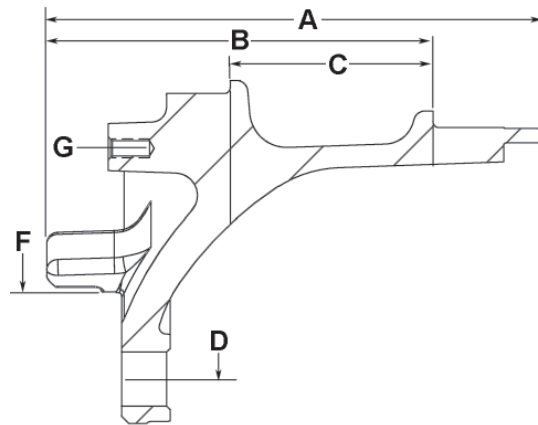
HUB NO.	DESCRIPTION	TYPE
05-15938-XXX	Front Axle Hub Outboard Drum	10 Hole Serrated Studs

## INNER BEARING

CUP	CONE	BOLT CIRCLE
JM207010	JM207049	11.25"

## OUTER BEARING

CUP	CONE
25820	25878



DRAWING REFERENCE	ITEM	DIMENSION
A	Overall Length	8.64"
B	Outer Hub Cap Face To Inner Bearing Cup Seat	4.36"
C	Distance Between Cups	2.92"
D	Bolt Circle Diameter	11.25"
E	Wheel Stud Quantity	10
F	Pilot Diameter	8.777"
G	Hub Cap Hole Pattern	4, 5/16"-18; 3.625" B.C.

## HUB PILOTED - Hub Assemblies without Drum or Rotor

HUB PART NUMBER	WHEEL TYPE	DRUM TYPE	WHEEL STUD	ABS RING NUMBER
05-15938-1001			09-001989	3237K1259
05-15938-1002			09-002002	3237M1261

## HUB PILOTED - Hub and Drum Assemblies

HUB PART NUMBER	WHEEL TYPE	DRUM TYPE	WHEEL STUD NUMBER	ABS RING NUMBER	DRUM SIZE	DRUM NUMBER	DRUM POSITION
15-15938-1003MTB	Steel	Cast	09-002002	3237M1261	15 x 5	85-123465-002	Outboard

## WHEEL STUDS USED WITH HUB IN ASSEMBLIES

WHEEL STUD NO.	THREAD TYPE SIZE	STYLE	WHEEL TYPE	USE WITH DRUM TYPE
09-001989	Serrated M22 x 1.5	Hub Piloted	Steel Wheel	Cast
09-002002	Serrated M22 x 1.5	Hub Piloted	Steel Wheel	X30

## DRUMS USED WITH HUB IN ASSEMBLIES

DRUM NO.	DRUM TYPE	BRAKE SIZE	OVERALL DEPTH	PILOT DIAMETER
85-123465-002	Cast MTB	15.00" x 5.00"	10.08"	8.78"

# FRONT AXLE HUBS

**FOR AXLE MODELS: Meritor FC-941**

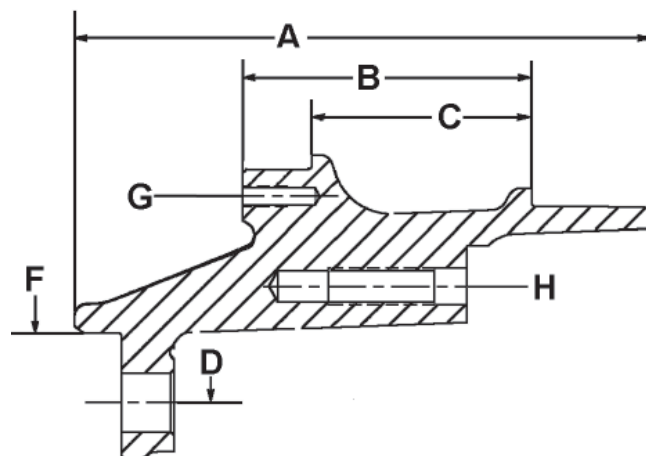
HUB NO.	DESCRIPTION	TYPE
05-15946-XXX	Front Axle Hub Outboard Drum	8 Hole Serrated Studs

## INNER BEARING

CUP	CONE	BOLT CIRCLE
JM207010	JM207049	10.827"

## OUTER BEARING

CUP	CONE
25820	25878



DRAWING REFERENCE	ITEM	DIMENSION
A	Overall Length	8.55"
B	Outer Hub Cap Face To Inner Bearing Cup Seat	4.36"
C	Distance Between Cups	2.92"
D	Bolt Circle Diameter	10.827"
E	Wheel Stud Quantity	8
F	Pilot Diameter	8.689"
G	Hub Cap Hole Pattern	4, 5/16"-18; 3.625" B.C.
H	Rotor Mounting Hole Pattern	10, 9/16"-12; 7.25" B.C.

## HUB PILOTED - Hub and Rotor Assemblies

HUB PART NUMBER	WHEEL TYPE	WHEEL STUD NUMBER	ABS RING NUMBER	ROTOR NUMBER	ROTOR O.D.
17-15946-1000		09-002013		23-123557-009	15.38

## WHEEL STUDS USED WITH HUB IN ASSEMBLIES

WHEEL STUD NO.	THREAD TYPE SIZE	STYLE	WHEEL TYPE	USE WITH DRUM TYPE
09-002013	Serrated M22 x 1.5	Hub Piloted		

## ROTORS USED WITH HUB IN ASSEMBLIES

ROTOR PART NO.	OUTSIDE DIA.	OVERALL DEPTH	BOLT CIRCLE DIA.	BOLT HOLES		PILOT DIA.
				DIAMETER	NUMBER	
23-123557-009	15.375	3.400	7.250	0.594	10	6.001

# FRONT AXLE HUBS

**FOR AXLE MODELS:** Dana Spicer I-100, I-120, I-140, W15  
 Eaton EFA-12F3, EFA-12F4, EFA-13F4  
 Meritor FF-931, FF-941, FF-942, FF-943, FF-944, FF-961, FG-931, FG-900, FG-941, FG-943  
 Westport F3W-1200, F3W-1400, F6W-1200, F6W-1400

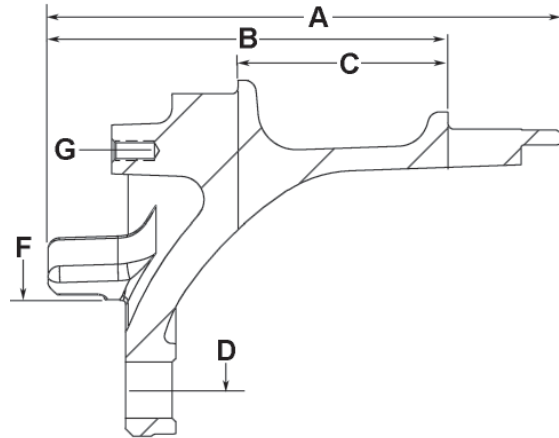
HUB NO.	DESCRIPTION	TYPE
05-15954-XXX	Front Axle Hub Outboard Drum	10 Hole Serrated Studs

## INNER BEARING

CUP	CONE	BOLT CIRCLE
HM212011	HM212047 or HM212049	11.25"

## OUTER BEARING

CUP	CONE
3720	3782



DRAWING REFERENCE	ITEM	DIMENSION
A	Overall Length	8.40"
B	Outer Hub Cap Face To Inner Bearing Cup Seat	4.435"
C	Distance Between Cups	3.375"
D	Bolt Circle Diameter	11.25"
E	Wheel Stud Quantity	10
F	Pilot Diameter	8.777"
G	Hub Cap Hole Pattern	6, 5/16"-18; 4.50" B.C.

## HUB PILOTED - Hub Assemblies without Drum or Rotor

HUB PART NUMBER	WHEEL TYPE	DRUM TYPE	WHEEL STUD	ABS RING NUMBER
05-15954-005			09-001988	3237L1260
05-15954-006			09-001989	3237L1260

## HUB PILOTED - Hub and Drum Assemblies

HUB PART NUMBER	WHEEL TYPE	DRUM TYPE	WHEEL STUD NUMBER	ABS RING NUMBER	DRUM SIZE	DRUM NUMBER	DRUM POSITION
15-15954-1014MTB	Steel	Cast	09-001989	3237L1260	16.5 x 6	85-123400-002	Outboard
15-15954-1015MTB	Steel	Cast	09-001988	3237L1260	16.5 x 6	85-123400-002	Outboard
15-15954-1016MTB	Aluminum, Steel	Cast	09-002002		16.5 x 6	85-123660-002	Outboard

## WHEEL STUDS USED WITH HUB IN ASSEMBLIES

WHEEL STUD NO.	THREAD TYPE SIZE	STYLE	WHEEL TYPE	USE WITH DRUM TYPE
09-001988	Serrated M22 x 1.5	Hub Piloted	Steel	Cast
09-001989	Serrated M22 x 1.5	Hub Piloted	Steel Wheel	Cast
09-002002	Serrated M22 x 1.5	Hub Piloted	Steel Wheel	X30

## DRUMS USED WITH HUB IN ASSEMBLIES

DRUM NO.	DRUM TYPE	BRAKE SIZE	OVERALL DEPTH	PILOT DIAMETER
85-123396-002	Cast MTB	15.00" x 4.00"	8.97"	8.78"
85-123660-002	Cast MTB	16.50" x 6.00"	9.52"	8.78"
85-123463-002	Cast MTB	16.50" x 5.00"	9.63"	8.78"
85-123400-002	Cast MTB	16.50" x 6.00"	9.81"	8.78"

# FRONT AXLE HUBS

**FOR AXLE MODELS: Meritor FC-941**

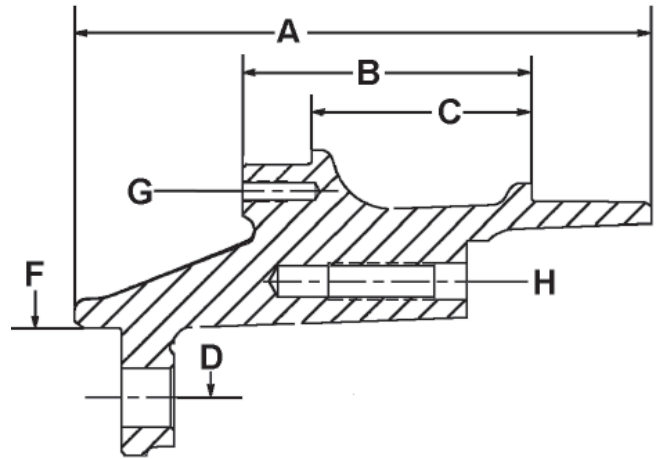
HUB NO.	DESCRIPTION	TYPE
05-15955-XXX	Front Axle Hub Outboard Drum	10 Hole Serrated Studs

### INNER BEARING

CUP	CONE	BOLT CIRCLE
JM207010	JM207049	10.827"

### OUTER BEARING

CUP	CONE
25820	25878



DRAWING REFERENCE	ITEM	DIMENSION
A	Overall Length	8.41"
B	Outer Hub Cap Face To Inner Bearing Cup Seat	4.36"
C	Distance Between Cups	2.92"
D	Bolt Circle Diameter	10.827"
E	Wheel Stud Quantity	10
F	Pilot Diameter	8.689"
G	Hub Cap Hole Pattern	4, 5/16"-18; 3.634" B.C.
H	Rotor Mounting Hole Pattern	10, 9/16"-12; 7.25" B.C.

### HUB PILOTED - Hub Assemblies without Drum or Rotor

HUB PART NUMBER	WHEEL TYPE	DRUM TYPE	WHEEL STUD	ABS RING NUMBER
05-15955-1000			09-001826	

### WHEEL STUDS USED WITH HUB IN ASSEMBLIES

WHEEL STUD NO.	THREAD TYPE SIZE	STYLE	WHEEL TYPE	USE WITH DRUM TYPE
09-001826	Serrated M20 x 1.5	Hub Piloted		

### ROTORS USED WITH HUB IN ASSEMBLIES

ROTOR PART NO.	OUTSIDE DIA.	OVERALL DEPTH	BOLT CIRCLE DIA.	BOLT HOLES		
				DIAMETER	NUMBER	PILOT DIA.
23-123557-009	15.375	3.400	7.250	0.594	10	6.001

# FRONT AXLE HUBS

**FOR AXLE MODELS: Meritor FC-941**

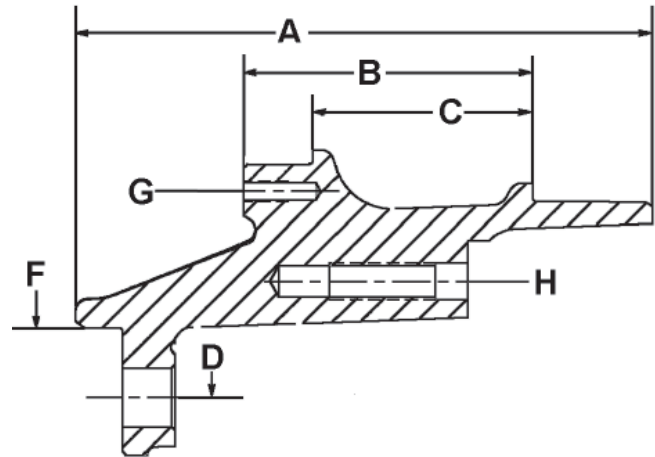
HUB NO.	DESCRIPTION	TYPE
05-15964-XXX	Front Axle Hub Outboard Drum	10 Hole Serrated Studs\

## INNER BEARING

CUP	CONE	BOLT CIRCLE
JM207010	JM207049	11.250"

## OUTER BEARING

CUP	CONE
25820	25878



DRAWING REFERENCE	ITEM	DIMENSION
A	Overall Length	8.64"
B	Outer Hub Cap Face To Inner Bearing Cup Seat	4.36"
C	Distance Between Cups	2.92"
D	Bolt Circle Diameter	11.25"
E	Wheel Stud Quantity	10
F	Pilot Diameter	8.65"
G	Hub Cap Hole Pattern	4, 5/16"-18; 3.625" B.C.
H	Rotor Mounting Hole Pattern	10, 9/16"-12; 7.25" B.C.

## HUB PILOTED - Hub Assemblies without Drum or Rotor

HUB PART NUMBER	WHEEL TYPE	DRUM TYPE	WHEEL STUD	ABS RING NUMBER
05-15964-1057			09-001988	
05-15964-1058			09-002013	

## HUB PILOTED - Hub and Rotor Assemblies

HUB PART NUMBER	WHEEL TYPE	WHEEL STUD NUMBER	ABS RING NUMBER	ROTOR NUMBER	ROTOR O.D.
17-15964-1006		09-002013		23-123557-009	15.38

## WHEEL STUDS USED WITH HUB IN ASSEMBLIES

WHEEL STUD NO.	THREAD TYPE SIZE	STYLE	WHEEL TYPE	USE WITH DRUM TYPE
09-001988	Serrated M22 x 1.5	Hub Piloted	Steel	Cast
09-002013	Serrated M22 x 1.5	Hub Piloted		

## ROTORS USED WITH HUB IN ASSEMBLIES

ROTOR PART NO.	OUTSIDE DIA.	OVERALL DEPTH	BOLT CIRCLE DIA.	BOLT HOLES		PILOT DIA.
				DIAMETER	NUMBER	
23-123557-009	15.375	3.400	7.250	0.594	10	6.001

# FRONT AXLE HUBS

**FOR AXLE MODELS:** Dana Spicer I-100, I-120, I-140, W15  
 Eaton EFA-12F3, EFA-12F4, EFA-13F4  
 Meritor FF-931, FF-941, FF-942, FF-943, FF-944, FF-961, FG-931, FG-900, FG-941, FG-943  
 Westport F3W-1200, F3W-1400, F6W-1200, F6W-1400

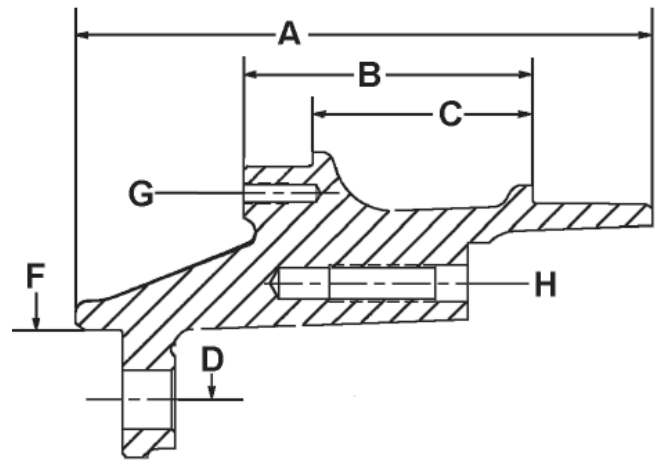
HUB NO.	DESCRIPTION	TYPE
05-15967-XXX	Front Axle Hub Outboard Drum	8 Hole Serrated Studs

## INNER BEARING

CUP	CONE	BOLT CIRCLE
HM212011	HM212047 or HM212049	10.827"

## OUTER BEARING

CUP	CONE
3720	3782



DRAWING REFERENCE	ITEM	DIMENSION
A	Overall Length	8.92"
B	Outer Hub Cap Face To Inner Bearing Cup Seat	4.45"
C	Distance Between Cups	3.375"
D	Bolt Circle Diameter	10.827"
E	Wheel Stud Quantity	8
F	Pilot Diameter	8.689"
G	Hub Cap Hole Pattern	6. 5/16"-18; 4.5-" B.C.
H	Rotor Mounting Hole Pattern	10, 9/16"-12; 7.25" B.C.

## HUB PILOTED - Hub Assemblies without Drum or Rotor

HUB PART NUMBER	WHEEL TYPE	DRUM TYPE	WHEEL STUD	ABS RING NUMBER
05-15967-1001			09-001826	

## WHEEL STUDS USED WITH HUB IN ASSEMBLIES

WHEEL STUD NO.	THREAD TYPE SIZE	STYLE	WHEEL TYPE	USE WITH DRUM TYPE
09-001826	Serrated M20 x 1.5	Hub Piloted		

## ROTORS USED WITH HUB IN ASSEMBLIES

ROTOR PART NO.	OUTSIDE DIA.	OVERALL DEPTH	BOLT CIRCLE DIA.	BOLT HOLES		
				DIAMETER	NUMBER	PILOT DIA.
23-123557-009	15.375	3.400	7.250	0.594	10	6.001



# FRONT AXLE HUBS

**FOR AXLE MODELS:** Hino

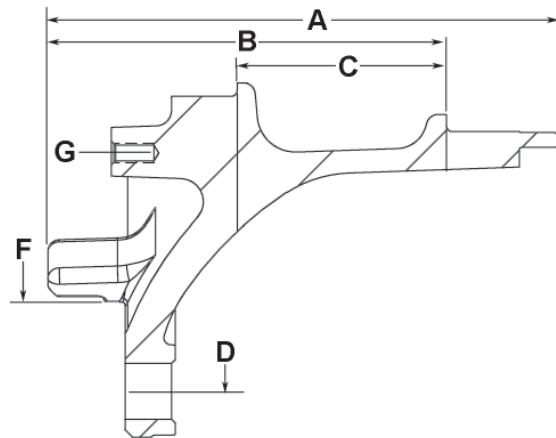
HUB NO.	DESCRIPTION	TYPE
05-15976-XXX	Front Axle Hub Outboard Drum	8 Hole Serrated Studs

## INNER BEARING

CUP	CONE	BOLT CIRCLE
LM48510		8.858"

## OUTER BEARING

CUP	CONE
25520	



DRAWING REFERENCE	ITEM	DIMENSION
A	Overall Length	6.587"
B	Outer Hub Cap Face To Inner Bearing Cup Seat	3.956"
C	Distance Between Cups	2.516"
D	Bolt Circle Diameter	8.858"
E	Wheel Stud Quantity	8
F	Pilot Diameter	6.691"
G	Hub Cap Hole Pattern	4, 5/16"-18; 3.625" B.C.

## HUB PILOTED - Hub Assemblies without Drum or Rotor

HUB PART NUMBER	WHEEL TYPE	DRUM TYPE	WHEEL STUD	ABS RING NUMBER
05-15977-002			09-002225	09-002220

## HUB PILOTED - Hub and Rotor Assemblies

HUB PART NUMBER	WHEEL TYPE	WHEEL STUD NUMBER	ABS RING NUMBER	ROTOR NUMBER	ROTOR OUTSIDE DIAMETER
17-15977-1000		09-002225	09-002220	23-123626-002	11.96
17-15977-1001		09-002226	09-002220	23-123626-002	11.96

## WHEEL STUDS USED WITH HUB IN ASSEMBLIES

WHEEL STUD NO.	THREAD TYPE SIZE	STYLE	WHEEL TYPE	USE WITH DRUM TYPE
09-002225	Serrated M20 x 1.5	Hub Piloted	Steel	Cast
09-002226	Serrated M20 x 1.5	Hub Piloted	Steel	Cast

## ROTORS USED WITH HUB IN ASSEMBLIES

ROTOR PART NO.	OUTSIDE DIA.	OVERALL DEPTH	BOLT CIRCLE DIA.	BOLT HOLES		PILOT DIA.
				DIAMETER	NUMBER	
23-123626-002	11.960	4.640	7.500	.50-13 UNC	6	6.502

# FRONT AXLE HUBS

**FOR AXLE MODELS:** Hino

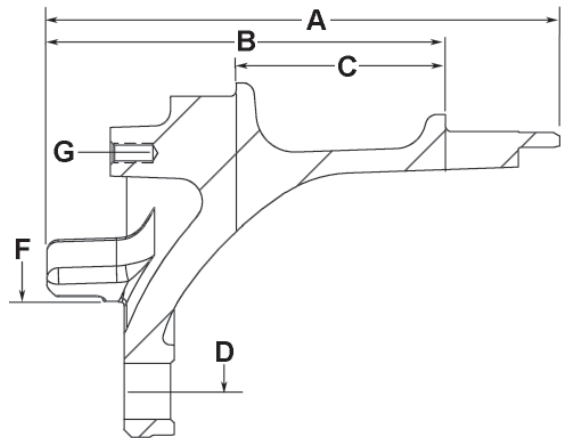
HUB NO.	DESCRIPTION	TYPE
05-15977-XXX	Front Axle Hub Outboard Drum	6 Hole Serrated Studs

### INNER BEARING

CUP	CONE	BOLT CIRCLE
LM48510		8.75"

### OUTER BEARING

CUP	CONE
25520	



DRAWING REFERENCE	ITEM	DIMENSION
A	Overall Length	6.945"
B	Outer Hub Cap Face To Inner Bearing Cup Seat	4.365"
C	Distance Between Cups	2.516"
D	Bolt Circle Diameter	8.75"
E	Wheel Stud Quantity	6
F	Pilot Diameter	6.448"
G	Hub Cap Hole Pattern	4, 5/16"-18; 3.625" B.C.

### HUB PILOTED - Hub Assemblies without Drum or Rotor

HUB PART NUMBER	WHEEL TYPE	DRUM TYPE	WHEEL STUD	ABS RING NUMBER
05-15977-002			09-002225	09-002220

### HUB PILOTED - Hub and Rotor Assemblies

HUB PART NUMBER	WHEEL TYPE	WHEEL STUD NUMBER	ABS RING NUMBER	ROTOR NUMBER	ROTOR O.D.
17-15977-1000		09-002225	09-002220	23-123626-002	11.96
17-15977-1001		09-002226	09-002220	23-123626-002	11.96

### WHEEL STUDS USED WITH HUB IN ASSEMBLIES

WHEEL STUD NO.	THREAD TYPE SIZE	STYLE	WHEEL TYPE	USE WITH DRUM TYPE
09-002225	Serrated M20 x 1.5	Hub Piloted	Steel	Cast
09-002226	Serrated M20 x 1.5	Hub Piloted	Steel	Cast

### ROTORS USED WITH HUB IN ASSEMBLIES

ROTOR PART NO.	OUTSIDE DIA.	OVERALL DEPTH	BOLT CIRCLE DIA.	BOLT HOLES		
				DIAMETER	NUMBER	PILOT DIA.
23-123626-002	11.960	4.640	7.500	.50-13 UNC	6	6.502

# FRONT AXLE HUBS

**FOR AXLE MODELS:** Dana Spicer I-160, I-180, I-200, I-220  
 Eaton EFA-18F3, EFA-20T2, EFA-22T2/T5, EFA-24T2/T5  
 Meritor FG-942, FL-931, FL-941, FL-943, FL-951

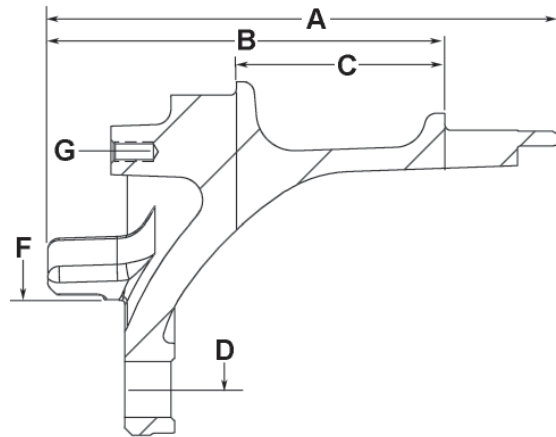
HUB NO.	DESCRIPTION	TYPE
05-15988-XXX	Front Axle Hub Outboard Drum	10 Hole Serrated Studs

## INNER BEARING

CUP	CONE	BOLT CIRCLE
6420	6461A	11.25"

## OUTER BEARING

CUP	CONE
552A	555S



DRAWING REFERENCE	ITEM	DIMENSION
A	Overall Length	7.741"
B	Outer Hub Cap Face To Inner Bearing Cup Seat	4.841"
C	Distance Between Cups	3.031"
D	Bolt Circle Diameter	11.25"
E	Wheel Stud Quantity	10
F	Pilot Diameter	8.65"
G	Hub Cap Hole Pattern	6,5/16"-18; 5.50" B.C.

## HUB PILOTED - Hub Assemblies without Drum or Rotor

HUB PART NUMBER	WHEEL TYPE	DRUM TYPE	WHEEL STUD	ABS RING NUMBER
05-15988-001			09-001727	09-002206

## HUB PILOTED - Hub and Rotor Assemblies

HUB PART NUMBER	WHEEL TYPE	WHEEL STUD NUMBER	ABS RING NUMBER	ROTOR NUMBER	ROTOR OUTSIDE DIAMETER
17-15988-1001		09-002005	09-002206	23-123642-002	17.09
17-15988-1002		09-001988	09-002206	23-123642-002	17.09

## WHEEL STUDS USED WITH HUB IN ASSEMBLIES

WHEEL STUD NO.	THREAD TYPE SIZE	STYLE	WHEEL TYPE	USE WITH DRUM TYPE
09-001727	Serrated M22 x 1.5	Hub Piloted	Aluminum Wheel	X30
09-001988	Serrated M22 x 1.5	Hub Piloted	Steel	Cast
09-002005	Serrated M22 x 1.5	Hub Piloted		

## ROTORS USED WITH HUB IN ASSEMBLIES

ROTOR PART NO.	OUTSIDE DIA.	OVERALL DEPTH	BOLT CIRCLE DIA.	BOLT HOLES		PILOT DIA.
				DIAMETER	NUMBER	
23-123642-002	17.087	5.644	10.500	.63-18 UNF	10	8.500

# FRONT AXLE HUBS

**FOR AXLE MODELS:** Dana Spicer I-160, I-180, I-200, I-220  
 Eaton EFA-18F3, EFA-20T2, EFA-22T2/T5, EFA-24T2/T5  
 Meritor FG-942, FL-931, FL-941, FL-943, FL-951

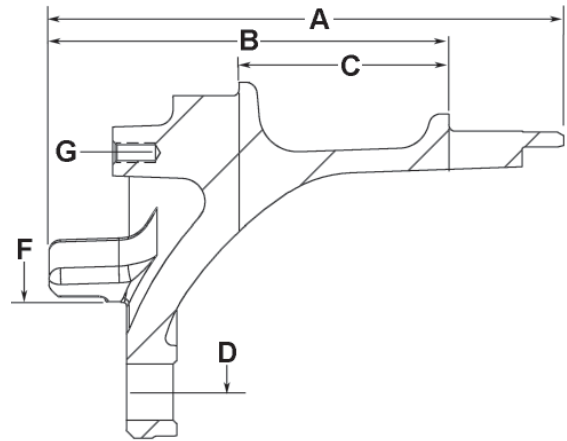
HUB NO.	DESCRIPTION	TYPE
05-15996-XXX	Front Axle Hub Outboard Drum	10 Hole Serrated Studs

## INNER BEARING

CUP	CONE	BOLT CIRCLE
6420	6461A	13.19"

## OUTER BEARING

CUP	CONE
552A	555S



DRAWING REFERENCE	ITEM	DIMENSION
A	Overall Length	7.79"
B	Outer Hub Cap Face To Inner Bearing Cup Seat	4.146"
C	Distance Between Cups	2.335"
D	Bolt Circle Diameter	13.19"
E	Wheel Stud Quantity	10
F	Pilot Diameter	11.25"
G	Hub Cap Hole Pattern	6' 3/8"-16; 6.00" B.C.

## HUB PILOTED - Hub Assemblies without Drum or Rotor

HUB PART NUMBER	WHEEL TYPE	DRUM TYPE	WHEEL STUD	ABS RING NUMBER
05-15996-002			09-002002	09-002134
05-15996-003			09-001727	09-002134

## HUB PILOTED - Hub and Drum Assemblies

HUB PART NUMBER	WHEEL TYPE	DRUM TYPE	WHEEL STUD NUMBER	ABS RING NUMBER	DRUM SIZE	DRUM NUMBER	DRUM POSITION
15-15996-1000MTB	Aluminum, Steel	Cast	09-002002	09-002134	16.5 x 6	85-123561-002	Outboard
15-15996-1002MTB	Aluminum, Steel	Cast	09-002002	09-002134	16.5 x 6	85-123561-002	Outboard

## WHEEL STUDS USED WITH HUB IN ASSEMBLIES

WHEEL STUD NO.	THREAD TYPE SIZE	STYLE	WHEEL TYPE	USE WITH DRUM TYPE
09-001727	Serrated M22 x 1.5	Hub Piloted	Aluminum Wheel	X30
09-002002	Serrated M22 x 1.5	Hub Piloted	Steel Wheel	X30

## DRUMS USED WITH HUB IN ASSEMBLIES

DRUM NO.	DRUM TYPE	BRAKE SIZE	OVERALL DEPTH	PILOT DIAMETER
85-123561-002	Cast MTB	16.50" x 6.00"	9.83"	11.71"

# FRONT AXLE HUBS

## FOR AXLE MODELS: Ford 7000 Early Design

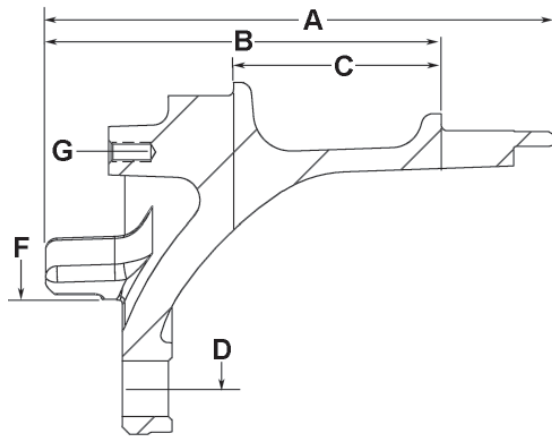
HUB NO.	DESCRIPTION	TYPE
05-15997-XXX	Front Axle Hub Outboard Drum	8 Hole Serrated Studs

### INNER BEARING

CUP	CONE	BOLT CIRCLE
45220		10.827"

### OUTER BEARING

CUP	CONE
25820	



DRAWING REFERENCE	ITEM	DIMENSION
A	Overall Length	6.95"
B	Outer Hub Cap Face To Inner Bearing Cup Seat	4.47"
C	Distance Between Cups	3.125"
D	Bolt Circle Diameter	10.827"
E	Wheel Stud Quantity	8
F	Pilot Diameter	8.691"
G	Hub Cap Hole Pattern	4,5/16"-18; 3.62" B.C.

### HUB PILOTED - Hub and Rotor Assemblies

HUB PART NUMBER	WHEEL TYPE	WHEEL STUD NUMBER	ABS RING NUMBER	ROTOR NUMBER	ROTOR O.D.
17-15997-1000		09-001988	09-002139	23-123522-002	15.56

### WHEEL STUDS USED WITH HUB IN ASSEMBLIES

WHEEL STUD NO.	THREAD TYPE SIZE	STYLE	WHEEL TYPE	USE WITH DRUM TYPE
09-001998	Serrated 3/4"-16 L	Stud Piloted		

### ROTORS USED WITH HUB IN ASSEMBLIES

ROTOR PART NO.	OUTSIDE DIA.	OVERALL DEPTH	BOLT CIRCLE DIA.	BOLT HOLES		PILOT DIA.
				DIAMETER	NUMBER	
23-123522-002	15.560	4.880	6.430	.50	10	5.120

# FRONT AXLE HUBS

**FOR AXLE MODELS: Ford 7000**

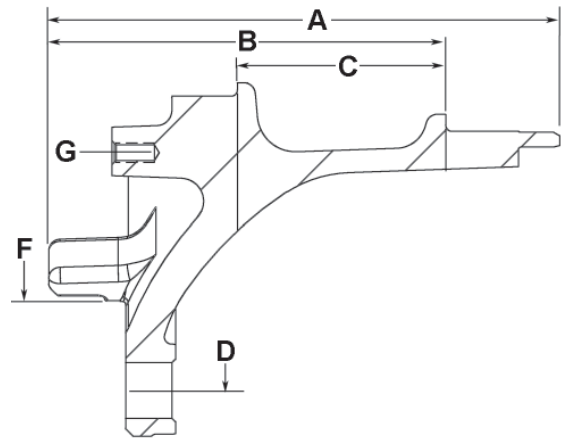
HUB NO.	DESCRIPTION	TYPE
05-16005-XXX	Front Axle Hub Outboard Drum	10 Hole Serrated Studs

## INNER BEARING

CUP	CONE	BOLT CIRCLE
45220		8.858"

## OUTER BEARING

CUP	CONE
25820	



DRAWING REFERENCE	ITEM	DIMENSION
A	Overall Length	7.42"
B	Outer Hub Cap Face To Inner Bearing Cup Seat	4.46"
C	Distance Between Cups	3.125"
D	Bolt Circle Diameter	8.858"
E	Wheel Stud Quantity	10
F	Pilot Diameter	6.69"
G	Hub Cap Hole Pattern	4, 5/16"-18; 3.62" B.C.

## HUB PILOTED - Hub Assemblies without Drum or Rotor

HUB PART NUMBER	WHEEL TYPE	DRUM TYPE	WHEEL STUD	ABS RING NUMBER
05-16005-002			09-002216	09-002227

## WHEEL STUDS USED WITH HUB IN ASSEMBLIES

WHEEL STUD NO.	THREAD TYPE SIZE	STYLE	WHEEL TYPE	USE WITH DRUM TYPE
09-002216	Serrated M14 x 1.5	Hub Piloted		

# FRONT AXLE HUBS

**FOR AXLE MODELS:** Dana Spicer I-160, I-180, I-200, I-220  
 Eaton EFA-18F3, EFA-20T2, EFA-22T2/T5, EFA-24T2/T5  
 Meritor FG-942, FL-931, FL-941, FL-943, FL-951

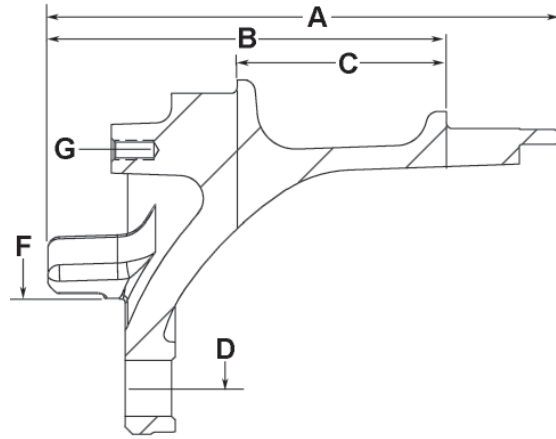
HUB NO.	DESCRIPTION	TYPE
05-16007-XXX	Front Axle Hub Outboard Drum	10 Hole Serrated Studs

## INNER BEARING

CUP	CONE	BOLT CIRCLE
6420	6461A	13.189"

## OUTER BEARING

CUP	CONE
552A	555S



DRAWING REFERENCE	ITEM	DIMENSION
A	Overall Length	7.37"
B	Outer Hub Cap Face To Inner Bearing Cup Seat	4.144"
C	Distance Between Cups	2.335"
D	Bolt Circle Diameter	13.189"
E	Wheel Stud Quantity	10
F	Pilot Diameter	11.051"
G	Hub Cap Hole Pattern	6, 3/8"-16; 6.00" B.C.

## HUB PILOTED - Hub Assemblies without Drum or Rotor

HUB PART NUMBER	WHEEL TYPE	DRUM TYPE	WHEEL STUD	ABS RING NUMBER
05-16007-002			09-002228	09-002166

## HUB PILOTED - Hub and Rotor Assemblies

HUB PART NUMBER	WHEEL TYPE	WHEEL STUD NUMBER	ABS RING NUMBER	ROTOR NUMBER	ROTOR O.D.
17-16007-1000		09-002228	09-002166	23-123647-002	17.09

## WHEEL STUDS USED WITH HUB IN ASSEMBLIES

WHEEL STUD NO.	THREAD TYPE SIZE	STYLE	WHEEL TYPE	USE WITH DRUM TYPE
09-002228	Serrated M22 x 1.5	Hub Piloted		

## ROTORS USED WITH HUB IN ASSEMBLIES

ROTOR PART NO.	OUTSIDE DIA.	OVERALL DEPTH	BOLT CIRCLE DIA.	BOLT HOLES		
				DIAMETER	NUMBER	PILOT DIA.
23-123647-002	17.087	5.644	9.823	M16x2	10	7.638

# FRONT AXLE HUBS

**FOR AXLE MODELS:** Dana Spicer I-160, I-180, I-200, I-220  
 Eaton EFA-18F3, EFA-20T2, EFA-22T2/T5, EFA-24T2/T5  
 Meritor FG-942, FL-931, FL-941, FL-943, FL-951

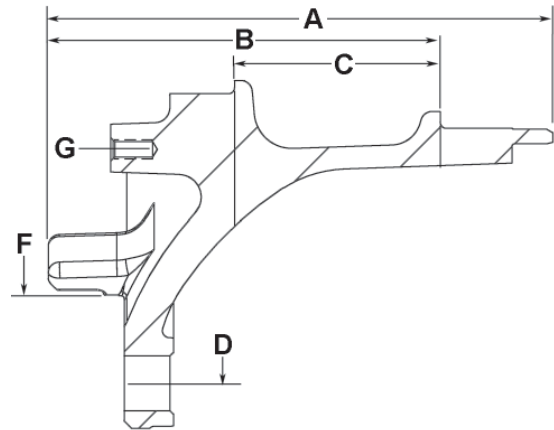
HUB NO.	DESCRIPTION	TYPE
05-16008-XXX	Front Axle Hub Outboard Drum	10 Hole Serrated Studs

## INNER BEARING

CUP	CONE	BOLT CIRCLE
6420	6461A	11.25"

## OUTER BEARING

CUP	CONE
552A	555S



DRAWING REFERENCE	ITEM	DIMENSION
A	Overall Length	7.37"
B	Outer Hub Cap Face To Inner Bearing Cup Seat	4.144"
C	Distance Between Cups	2.335"
D	Bolt Circle Diameter	11.25"
E	Wheel Stud Quantity	10
F	Pilot Diameter	8.65"
G	Hub Cap Hole Pattern	6, 3/8"-16; 6.00" B.C.

## HUB PILOTED - Hub Assemblies without Drum or Rotor

HUB PART NUMBER	WHEEL TYPE	DRUM TYPE	WHEEL STUD	ABS RING NUMBER
05-1600-8098-P72			09-002228	09-002166

## HUB PILOTED - Hub and Rotor Assemblies

HUB PART NUMBER	WHEEL TYPE	WHEEL STUD NUMBER	ABS RING NUMBER	ROTOR NUMBER	ROTOR O.D.
17-16008-1000		09-002228	09-002166	23-123642-002	17.09

## WHEEL STUDS USED WITH HUB IN ASSEMBLIES

WHEEL STUD NO.	THREAD TYPE SIZE	STYLE	WHEEL TYPE	USE WITH DRUM TYPE
09-002228	Serrated M22 x 1.5	Hub Piloted		

## ROTORS USED WITH HUB IN ASSEMBLIES

ROTOR PART NO.	OUTSIDE DIA.	OVERALL DEPTH	BOLT CIRCLE DIA.	BOLT HOLES		PILOT DIA.
				DIAMETER	NUMBER	
23-123642-002	17.087	5.644	10.500	.63-18 UNF	10	8.500



# FRONT AXLE HUBS

FOR AXLE MODELS: **Navistar**

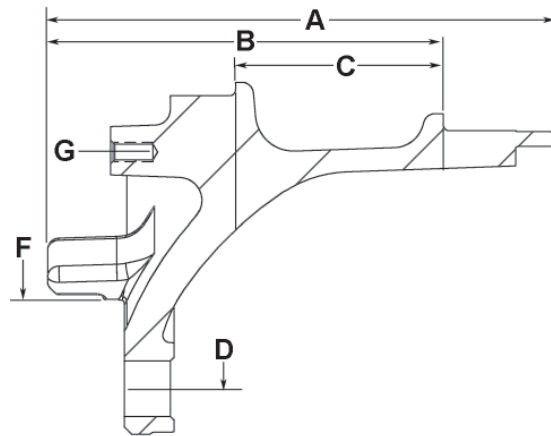
HUB NO.	DESCRIPTION	TYPE
05-16010-XXX	Front Axle Hub Outboard Drum	10 Hole Serrated Studs

## INNER BEARING

CUP	CONE	BOLT CIRCLE
45220		8.858"

## OUTER BEARING

CUP	CONE
25820	



DRAWING REFERENCE	ITEM	DIMENSION
A	Overall Length	7.424"
B	Outer Hub Cap Face To Inner Bearing Cup Seat	4.464"
C	Distance Between Cups	3.125"
D	Bolt Circle Diameter	8.858"
E	Wheel Stud Quantity	10
F	Pilot Diameter	6.691"
G	Hub Cap Hole Pattern	4, 5/16"-18; 3.62" B.C.

## HUB PILOTED - Hub and Rotor Assemblies

HUB PART NUMBER	WHEEL TYPE	WHEEL STUD NUMBER	ABS RING NUMBER	ROTOR NUMBER	ROTOR O.D.
17-16010-1000		09-002216	09-002139	23-123522-002	15.56

## WHEEL STUDS USED WITH HUB IN ASSEMBLIES

WHEEL STUD NO.	THREAD TYPE SIZE	STYLE	WHEEL TYPE	USE WITH DRUM TYPE
09-002216	Serrated M14 x 1.5	Hub Piloted		

## ROTORS USED WITH HUB IN ASSEMBLIES

ROTOR PART NO.	OUTSIDE DIA.	OVERALL DEPTH	BOLT CIRCLE DIA.	BOLT HOLES		PILOT DIA.
				DIAMETER	NUMBER	
23-123522-002	15.560	4.880	6.430	.50	10	5.120

# FRONT AXLE HUBS

**FOR AXLE MODELS:** Dana Spicer I-160, I-180, I-200, I-220  
 Eaton EFA-18F3, EFA-20T2, EFA-22T2/T5, EFA-24T2/T5  
 Meritor FG-942, FL-931, FL-941, FL-943, FL-951

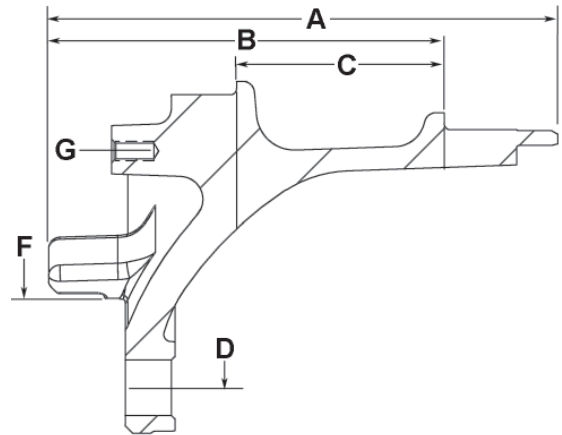
HUB NO.	DESCRIPTION	TYPE
05-16026-XXX	Front Axle Hub Outboard Drum	10 Hole Serrated Studs

## INNER BEARING

CUP	CONE	BOLT CIRCLE
6420	6461A	11.25"

## OUTER BEARING

CUP	CONE
552A	555S



DRAWING REFERENCE	ITEM	DIMENSION
A	Overall Length	7.76"
B	Outer Hub Cap Face To Inner Bearing Cup Seat	4.84"
C	Distance Between Cups	3.031"
D	Bolt Circle Diameter	11.25"
E	Wheel Stud Quantity	10
F	Pilot Diameter	8.78"
G	Hub Cap Hole Pattern	6, 5/16"-18; 5.50" B.C.

## HUB PILOTED - Hub Assemblies without Drum or Rotor

HUB PART NUMBER	WHEEL TYPE	DRUM TYPE	WHEEL STUD	ABS RING NUMBER
05-1603-3098-P72			09-001727	09-002206

## HUB PILOTED - Hub and Drum Assemblies

HUB PART NUMBER	WHEEL TYPE	DRUM TYPE	WHEEL STUD NUMBER	ABS RING NUMBER	DRUM SIZE	DRUM NUMBER	DRUM POSITION
15-16026-1002MTB	Steel, Disc	Cast	09-001727		16.5 x 6	85-123657-002	Outboard
15-16026-1006MTB	Aluminum	Cast	09-001728		16.5 x 6	85-123657-002	Outboard
15-16026-1007MTB	Aluminum, Disc	Cast	09-001728	09-002206	16.5 x 6	85-123657-002	Outboard

## WHEEL STUDS USED WITH HUB IN ASSEMBLIES

WHEEL STUD NO.	THREAD TYPE SIZE	STYLE	WHEEL TYPE	USE WITH DRUM TYPE
09-001727	Serrated M22 x 1.5	Hub Piloted	Aluminum Wheel	X30
09-001728	Serrated M22 x 1.5	Hub Piloted	Aluminum, Steel	Cast

## DRUMS USED WITH HUB IN ASSEMBLIES

DRUM NO.	DRUM TYPE	BRAKE SIZE	OVERALL DEPTH	PILOT DIAMETER
85-123657-002	Cast MTB	16.50" x 6.00"	9.88"	8.78"

# FRONT AXLE HUBS

**FOR AXLE MODELS:** Dana Spicer I-100, I-120, I-140, W15  
 Eaton EFA-12F3, EFA-12F4, EFA-13F4  
 Meritor FF-931, FF-941, FF-942, FF-943, FF-944, FF-961, FG-931, FG-900, FG-941, FG-943  
 Westport F3W-1200, F3W-1400, F6W-1200, F6W-1400

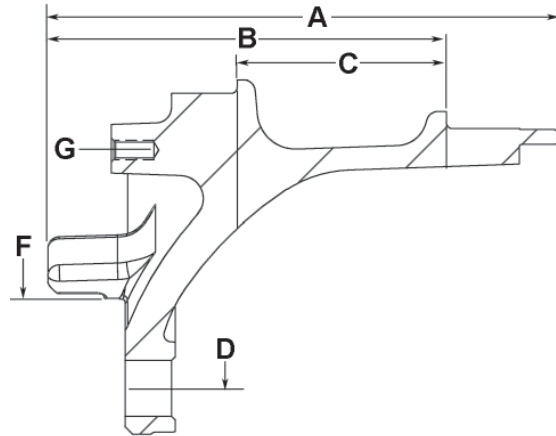
HUB NO.	DESCRIPTION	TYPE
05-16033-XXX	Front Axle Hub Outboard Drum	10 Hole Serrated Studs

## INNER BEARING

CUP	CONE	BOLT CIRCLE
HM212011	HM212047 or HM212049	11.25"

## OUTER BEARING

CUP	CONE
3720	3782



DRAWING REFERENCE	ITEM	DIMENSION
A	Overall Length	7.847"
B	Outer Hub Cap Face To Inner Bearing Cup Seat	4.873"
C	Distance Between Cups	3.375"
D	Bolt Circle Diameter	11.25
E	Wheel Stud Quantity	10
F	Pilot Diameter	8.78"
G	Hub Cap Hole Pattern	6, 5/16"-18; 4.50" B.C.

## STUD PILOTED – Hub Assemblies without Drum or Rotor

HUB PART NUMBER	HAND	WHEEL TYPE	DRUM TYPE	WHEEL STUD	ABS RING NUMBER
05-16033-098P72	LH			09-001926	3237L1260

## WHEEL STUDS USED WITH HUB IN ASSEMBLIES

WHEEL STUD NO.	THREAD TYPE SIZE	STYLE	WHEEL TYPE	USE WITH DRUM TYPE
09-001926	Serrated 1-1/8"-16 L	Stud Piloted	Steel	Cast

# FRONT AXLE HUBS

**FOR AXLE MODELS:** Dana Spicer I-100, I-120, I-140, W15  
 Eaton EFA-12F3, EFA-12F4, EFA-13F4  
 Meritor FF-931, FF-941, FF-942, FF-943, FF-944, FF-961, FG-931, FG-900, FG-941, FG-943  
 Westport F3W-1200, F3W-1400, F6W-1200, F6W-1400

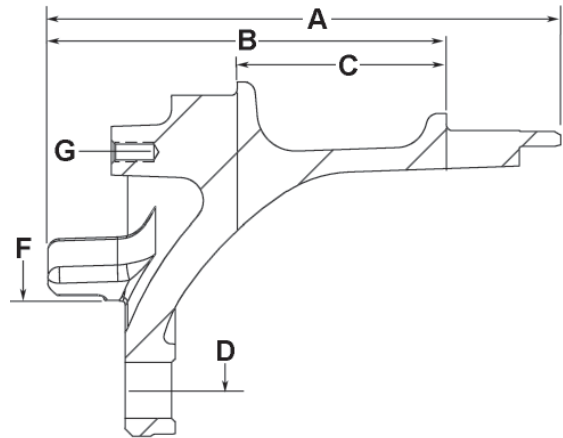
HUB NO.	DESCRIPTION	TYPE
05-16034-XXX	Front Axle Hub Outboard Drum	10 Hole Serrated Studs

## INNER BEARING

CUP	CONE	BOLT CIRCLE
HM212011	HM212047 or HM212049	11.25"

## OUTER BEARING

CUP	CONE
3720	3782



DRAWING REFERENCE	ITEM	DIMENSION
A	Overall Length	7.847"
B	Outer Hub Cap Face To Inner Bearing Cup Seat	4.873"
C	Distance Between Cups	3.375"
D	Bolt Circle Diameter	11.25"
E	Wheel Stud Quantity	10
F	Pilot Diameter	8.78"
G	Hub Cap Hole Pattern	6, 5/16"-18; 4.50" B.C.

## HUB PILOTED - Hub Assemblies without Drum or Rotor

HUB PART NUMBER	WHEEL TYPE	DRUM TYPE	WHEEL STUD	ABS RING NUMBER
05-16034-003			09-001988	3237L1260
05-16034-005			09-001989	3237L1260

## WHEEL STUDS USED WITH HUB IN ASSEMBLIES

WHEEL STUD NO.	THREAD TYPE SIZE	STYLE	WHEEL TYPE	USE WITH DRUM TYPE
09-001988	Serrated M22 x 1.5	Hub Piloted	Steel	Cast
09-001989	Serrated M22 x 1.5	Hub Piloted	Steel Wheel	Cast

# FRONT AXLE HUBS

**FOR AXLE MODELS** Dana Spicer I-100, I-120, I-140, W15  
 Eaton EFA-12F3, EFA-12F4, EFA-13F4  
 Meritor FF-931, FF-941, FF-942, FF-943, FF-944, FF-961, FG-931, FG-900, FG-941, FG-943  
 Westport F3W-1200, F3W-1400, F6W-1200, F6W-1400

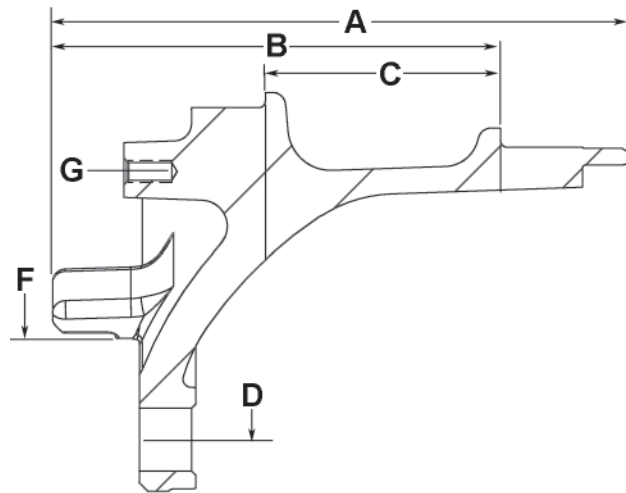
HUB NO.	DESCRIPTION	TYPE
05-16055-XXX	Front Axle Hub Outboard Drum	10 Hole Serrated Studs

## INNER BEARING

CUP	CONE	BOLT CIRCLE
HM212011	HM212047 or HM212049	13.189"

## OUTER BEARING

CUP	CONE
3720	3782



DRAWING REFERENCE	ITEM	DIMENSION
A	Overall Length	8.019"
B	Outer Hub Cap Face To Inner Bearing Cup Seat	4.43"
C	Distance Between Cups	3.38"
D	Bolt Circle Diameter	13.189"
E	Wheel Stud Quantity	10
F	Pilot Diameter	11.05"
G	Hub Cap Hole Pattern	6, 5/16"-18; 4.50" B.C.

## HUB PILOTED - Hub and Rotor Assemblies

HUB PART NUMBER	WHEEL TYPE	WHEEL STUD NUMBER	ABS RING NUMBER	ROTOR NUMBER	ROTOR O.D.
17-16055-1001		09-001988	3237L1260	23-123647-002	17.09

## WHEEL STUDS USED WITH HUB IN ASSEMBLIES

WHEEL STUD NO.	THREAD TYPE SIZE	STYLE	WHEEL TYPE	USE WITH DRUM TYPE
09-001988	Serrated M22 x 1.5	Hub Piloted	Steel	Cast

## ROTORS USED WITH HUB IN ASSEMBLIES

ROTOR PART NO.	OUTSIDE DIA.	OVERALL DEPTH	BOLT CIRCLE DIA.	BOLT HOLES		
				DIAMETER	NUMBER	PILOT DIA.
23-123647-002	17.087	5.644	9.823	M16x2	10	7.638

# FRONT AXLE HUBS

**FOR AXLE MODELS** Dana Spicer I-100, I-120, I-140, W15  
 Eaton EFA-12F3, EFA-12F4, EFA-13F4  
 Meritor FF-931, FF-941, FF-942, FF-943, FF-944, FF-961, FG-931, FG-900, FG-941, FG-943  
 Westport F3W-1200, F3W-1400, F6W-1200, F6W-1400

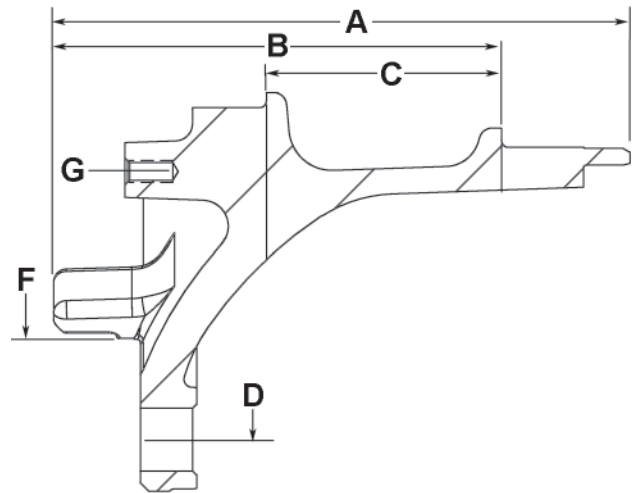
HUB NO.	DESCRIPTION	TYPE
05-16067-XXX	Front Axle Hub Outboard Drum	10 Hole Serrated Studs

### INNER BEARING

CUP	CONE	BOLT CIRCLE
HM212011	HM212047 or HM212049	11.25"

### OUTER BEARING

CUP	CONE
3720	3782



DRAWING REFERENCE	ITEM	DIMENSION
A	Overall Length	8.043"
B	Outer Hub Cap Face To Inner Bearing Cup Seat	4.45"
C	Distance Between Cups	3.375"
D	Bolt Circle Diameter	11.25"
E	Wheel Stud Quantity	10
F	Pilot Diameter	8.65"
G	Hub Cap Hole Pattern	6, 5/16"-18; 4.50" B.C.

HUB PART NUMBER	ABS RING NUMBER	COMMENTS
05-16067-002		Wheel studs not included

### HUB PILOTED - Hub Assemblies without Drum or Rotor

HUB PART NUMBER	WHEEL TYPE	DRUM TYPE	WHEEL STUD	ABS RING NUMBER
05-16067-005			09-001988	

### WHEEL STUDS USED WITH HUB IN ASSEMBLIES

WHEEL STUD NO.	THREAD TYPE SIZE	STYLE	WHEEL TYPE	USE WITH DRUM TYPE
09-001988	Serrated M22 x 1.5	Hub Piloted	Steel	Cast

# TRAILER HUBS

**FOR AXLE MODELS:** Dana Spicer D-21, K-21  
 Eaton C, C2, CB, CD, CD2, HC, HCE, E, ED, EH, 20L, 22L, 22R, 230C  
 Ingersoll A19H, A19S, DC19H  
 Meritor RL, TK, TL, TKLD, TKL  
 Standard Forge A-19H, A-19S

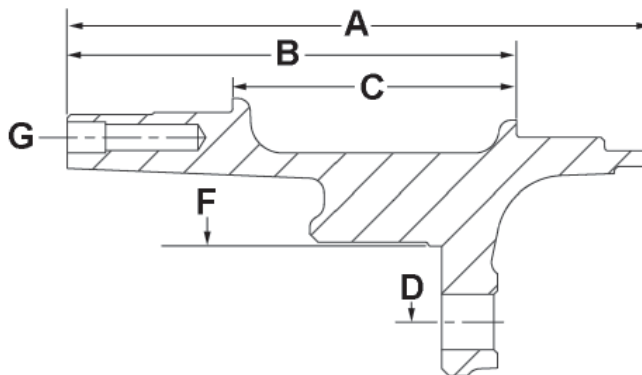
HUB NO.	DESCRIPTION	TYPE
04-15413-XXX	Trailer Axle Hub Outboard Drum	10 Hole Serrated Studs

### INNER BEARING

CUP	CONE	BOLT CIRCLE
HM218210	HM218248	13.189"

### OUTER BEARING

CUP	CONE
HM212011	HM212049



DRAWING REFERENCE	ITEM	DIMENSION
A	Overall Length	6.93"
B	Outer Hub Cap Face To Inner Bearing Cup Seat	4.74"
C	Distance Between Cups	3.35"
D	Bolt Circle Diameter	13.189"
E	Wheel Stud Quantity	10
F	Pilot Diameter	11.25"
G	Hub Cap Hole Pattern	6, 5/16"-18; 5.50" B.C.

HUB PART NUMBER	ABS RING NUMBER	COMMENTS
04-15413-007		Wheel studs not included

### HUB PILOTED - Hub Assemblies without Drum

HUB PART NUMBER	WHEEL TYPE	DRUM TYPE	STUD NUMBER	ABS RING NUMBER
04-15413-006			09-002003	

### HUB PILOTED - Hub and Drum Assemblies

HUB PART NUMBER	WHEEL TYPE	DRUM TYPE	STUD NUMBER	ABS RING NUMBER	DRUM SIZE	DRUM NUMBER	DRUM POSITION
14-15413-1032	Steel	Cast	09-001989		16.5 x 7	03-123025-002	Outboard

### WHEEL STUDS USED WITH HUB IN ASSEMBLIES

WHEEL STUD NO.	THREAD TYPE SIZE	STYLE	WHEEL TYPE	USE WITH DRUM TYPE
09-001989	Serrated M22 x 1.5	Hub Piloted	Steel Wheel	Cast
09-002003	Serrated M22 x 1.5	Hub Piloted	Aluminum Wheel	Cast

### DRUMS USED WITH HUB IN ASSEMBLIES

DRUM NO.	DRUM TYPE	BRAKE SIZE	OVERALL DEPTH	PILOT DIAMETER
03-123025-002	Cast Non-Balanced	16.50" x 7.00"	10.59"	11.25"

# TRAILER HUBS

**FOR AXLE MODELS:** Dana Spicer Eaton 225P, 230P, P22  
 Fruehauf Pro-Par  
 Hendrickson HP  
 Ingersoll A24H, A24S, F24  
 Meritor TP

HUB NO.	DESCRIPTION	TYPE
04-15502-XXX	Trailer Axle Hub Outboard Drum	10 Hole Serrated Studs

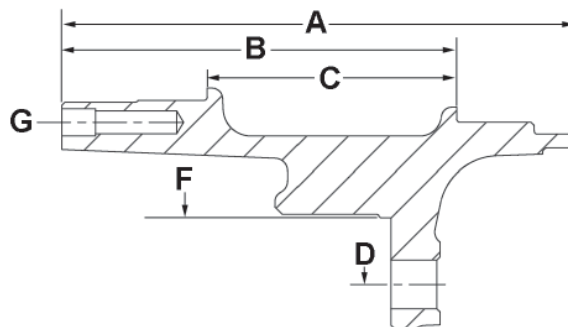
This hub assembly is no longer available. See page 95 for parts.

## INNER BEARING

CUP	CONE	BOLT CIRCLE
HM518410	HM518445	11.250"

## OUTER BEARING

CUP	CONE
HM518410	HM518445



DRAWING REFERENCE	ITEM	DIMENSION
A	Overall Length	9.06"
B	Outer Hub Cap Face To Inner Bearing Cup Seat	6.94"
C	Distance Between Cups	4.50"
D	Bolt Circle Diameter	11.25"
E	Wheel Stud Quantity	10
F	Pilot Diameter	8.78"
G	Hub Cap Hole Pattern	6.25"-8 TPI

HUB PART NUMBER	ABS RING NUMBER	COMMENTS
04-15502-001		Wheel studs not included
04-15502-021		
04-15502-022	09-001867	

## STUD PILOTED - Hub Assemblies without Drum

HUB PART NUMBER	HAND	WHEEL TYPE	DRUM TYPE	STUD NUMBER	ABS RING NUMBER
04-15502-029	RH	Aluminum, Steel	Cast	09-001910	
04-15502-030	LH	Aluminum, Steel	Cast	09-001911	
04-15502-031	RH	Aluminum, Steel	Cast	09-001910	09-001867
04-15502-032	LH	Aluminum, Steel	Cast	09-001911	09-001867

## HUB PILOTED - Hub Assemblies without Drum

HUB PART NUMBER	WHEEL TYPE	DRUM TYPE	STUD NUMBER	ABS RING NUMBER
04-15502-002			09-001989	
04-15502-004	Steel	Cast	09-001989	09-001867
04-15502-005	Steel	Cast	09-001989	
04-15502-006	Aluminum	Cast, X30	09-002003	
04-15502-007	Aluminum	Cast, X30	09-002003	09-001867
04-15502-041			09-001989	09-001867



# TRAILER HUBS

Hub assemblies no longer available. See page for parts

## STUD PILOTED - Hub and Drum Assemblies

HUB PART NUMBER	HAND	WHEEL TYPE	DRUM TYPE	STUD NUMBER	ABS RING NUMBER	DRUM SIZE	DRUM NUMBER	DRUM POSITION
14-15502-087	RH	Aluminum, Steel	Cast	09-001910		16.5 x 7	03-123365-002	Outboard
14-15502-088	LH	Aluminum, Steel	Cast	09-001911		16.5 x 7	03-123365-002	Outboard

## HUB PILOTED - Hub and Drum Assemblies

HUB PART NUMBER	WHEEL TYPE	DRUM TYPE	STUD NUMBER	ABS RING NUMBER	DRUM SIZE	DRUM NUMBER	DRUM POSITION
14-15502-050	Steel	Cast	09-001989		16.5 x 7	03-123365-002	Outboard
14-15502-051	Aluminum	Cast	09-002003		16.5 x 7	03-123365-002	Outboard
14-15502-064	Steel	Cast	09-001989		16.5 x 7	03-123365-002	Outboard
14-15502-503	Steel	Cast	09-001989	09-001867	16.5 x 7	03-123207-002	Outboard
14-15502-504	Aluminum	Cast	09-002003	09-001867	16.5 x 7	03-123207-002	Outboard

## STUDS USED WITH HUB IN ASSEMBLIES

STUD NO.	THREAD TYPE SIZE	STYLE	WHEEL TYPE	USE WITH DRUM TYPE
09-001910	Serrated 3/4"-16 R	Stud Piloted	Steel Wheel	Cast
09-001911	Serrated 3/4"-16 L	Stud Piloted	Steel Wheel	Cast
09-001989	Serrated M22 x 1.5	Hub Piloted	Steel Wheel	Cast
09-002003	Serrated M22 x 1.5	Hub Piloted	Aluminum Wheel	Cast

## DRUMS USED WITH HUB IN ASSEMBLIES

DRUM NO.	DRUM TYPE	BRAKE SIZE	OVERALL DEPTH	PILOT DIAMETER
03-123207-002	Cast Non-Balanced	16.50" x 7.00"	10.54"	8.78"
03-123365-002	Cast Non-Balanced	16.50" x 7.00"	10.59"	8.78"

# LITE WEIGHT TP TRAILER HUBS

**FOR AXLE MODELS:** Dana Spicer Eaton 225P, 230P, P22  
 Fruehauf Pro-Par  
 Hendrickson HP  
 Ingersoll A24H, A24S, F24  
 Meritor TP

HUB NO.	DESCRIPTION	TYPE
04-15068-XXX	Trailer Axle Hub Outboard Drum	10 Hole Serrated Studs

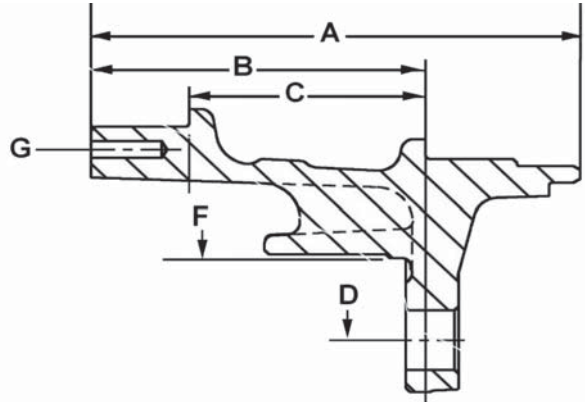
**This hub assembly is no longer available. See page 95 for parts**

### INNER BEARING

CUP	CONE	BOLT CIRCLE
HM518410	HM518445	11.250"

### OUTER BEARING

CUP	CONE
HM518410	HM518445



DRAWING REFERENCE	ITEM	DIMENSION
A	Overall Length	8.08"
B	Outer Hub Cap Face To Inner Bearing Cup Seat	5.96"
C	Distance Between Cups	4.50"
D	Bolt Circle Diameter	11.25"
E	Wheel Stud Quantity	10
F	Pilot Diameter	8.78"
G	Hub Cap Hole Pattern	6, 5/16"-18; 6.75" B.C.

HUB PART NUMBER	ABS RING NUMBER	COMMENTS
04-15968-045		Wheel studs not included

### HUB PILOTED - Hub Assemblies without Drum

HUB PART NUMBER	WHEEL TYPE	DRUM TYPE	STUD NUMBER	ABS RING NUMBER
04-15968-002	Steel	Cast	09-001989	
04-15968-007	Steel	Cast	09-001989	09-001867
04-15968-009	Aluminum	Cast	09-002003	09-001867
04-15968-037			09-001989	
04-15968-038			09-001989	09-001867
04-15968-043			09-002003	
04-15968-044			09-002003	09-001867

### STUD PILOTED - Hub and Drum Assemblies

HUB PART NUMBER	HAND	WHEEL TYPE	DRUM TYPE	STUD NUMBER	ABS RING NUMBER	DRUM SIZE	DRUM NUMBER	DRUM POSITION
14-15968-129	RH	Aluminum, Steel	Cast	09-001910		16.5 x 7	03-123207-002	Outboard
14-15968-130	LH	Aluminum, Steel	Cast	09-001911		16.5 x 7	03-123207-002	Outboard

# LITE WEIGHT TP TRAILER HUBS

Hub assemblies no longer available. See page 95 for parts

## HUB PILOTED - Hub and Drum Assemblies

HUB PART NUMBER	WHEEL TYPE	DRUM TYPE	STUD NUMBER	ABS RING NUMBER	DRUM SIZE	DRUM NUMBER	DRUM POSITION
14-15968-1033	Steel	Cast	09-001989	09-001867	16.5 x 7	03-123207-002	Outboard
14-15968-1082	Steel	Cast	09-001989	09-001867	16.5 x 7	03-123207-002	Outboard
14-15968-1083	Steel	Cast	09-001989		16.5 x 7	03-123207-002	Outboard
14-15968-1107X30	Steel	X30	09-002002	09-001867	16.5 x 7	53-123537-002	Outboard
14-15968-111	Steel	Cast	09-001989		16.5 x 7	03-123207-002	Outboard
14-15968-112	Aluminum	Cast	09-002003		16.5 x 7	03-123207-002	Outboard
14-15968-114	Aluminum	Cast	09-002003	09-001867	16.5 x 7	03-123207-002	Outboard
14-15968-1230	Steel	Cast	09-001989		16.5 x 7	03-123365-002	Outboard
14-15968-1234	Steel	Cast	09-001989	09-001867	16.5 x 7	03-123365-002	Outboard
14-15968-1235	Aluminum	Cast	09-002003	09-001867	16.5 x 7	03-123365-002	Outboard
14-15968-350X30	Steel	X30	09-002002		16.5 x 7	53-123537-002	Outboard
14-15968-351X30	Aluminum	X30	09-002003		16.5 x 7	53-123537-002	Outboard
14-15968-352X30	Steel	X30	09-002002	09-001867	16.5 x 7	53-123537-002	Outboard
14-15968-353X30	Aluminum	X30	09-002003	09-001867	16.5 x 7	53-123537-002	Outboard
14-15968-1293MTB	Steel	Cast	09-001989	09-001867	16.5 x 8.63	85-123570-002	Outboard

## WHEEL STUDS USED WITH HUB IN ASSEMBLIES

WHEEL STUD NO.	THREAD TYPE SIZE	STYLE	WHEEL TYPE	USE WITH DRUM TYPE
09-001910	Serrated 3/4"-16 R	Stud Piloted	Steel Wheel	Cast
09-001911	Serrated 3/4"-16 L	Stud Piloted	Steel Wheel	Cast
09-001989	Serrated M22 x 1.5	Hub Piloted	Steel Wheel	Cast
09-002002	Serrated M22 x 1.5	Hub Piloted	Steel Wheel	X30
09-002003	Serrated M22 x 1.5	Hub Piloted	Aluminum Wheel	Cast

## DRUMS USED WITH HUB IN ASSEMBLIES

DRUM NO.	DRUM TYPE	BRAKE SIZE	OVERALL DEPTH	PILOT DIAMETER
53-123537-002	X30	16.50" x 7.00"	10.38"	8.78"
03-123207-002	Cast Non-Balanced	16.50" x 7.00"	10.54"	8.78"
03-123365-002	Cast Non-Balanced	16.50" x 7.00"	10.59"	8.78"
85-123570-002	Cast MTB	16.50" x 8.63"	11.25"	8.78"

# TRAILER HUBS

**FOR AXLE MODELS: Meritor TL**

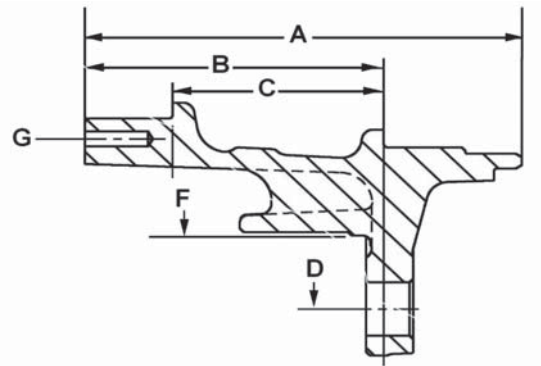
HUB NO.	DESCRIPTION	TYPE
04-15981-XXX	Trailer Axle Hub Outboard Drum	10 Hole Serrated Studs

## INNER BEARING

CUP	CONE	BOLT CIRCLE
		11.25"

## OUTER BEARING

CUP	CONE



DRAWING REFERENCE	ITEM	DIMENSION
A	Overall Length	6.220"
B	Outer Hub Cap Face To Inner Bearing Cup Seat	5.12"
C	Distance Between Cups	4.33"
D	Bolt Circle Diameter	11.25"
E	Wheel Stud Quantity	10
F	Pilot Diameter	8.777"
G	Hub Cap Hole Pattern	6, 5/16"-18; 6.375" B.C.

## HUB PILOTED - Hub Assemblies without Drum

HUB PART NUMBER	WHEEL TYPE	DRUM TYPE	STUD NUMBER	ABS RING NUMBER
04-15981-016			09-001989	
04-15981-017			09-001989	09-001867
04-15981-018			09-002003	
04-15981-019			09-002003	09-001867

## WHEEL STUDS USED WITH HUB IN ASSEMBLIES

WHEEL STUD NO.	THREAD TYPE SIZE	STYLE	WHEEL TYPE	USE WITH DRUM TYPE
09-001989	Serrated M22 x 1.5	Hub Piloted	Steel Wheel	Cast
09-002003	Serrated M22 x 1.5	Hub Piloted	Aluminum Wheel	Cast

## LITE WEIGHT TN TRAILER HUBS

### HUB PILOTED - Hub Assemblies without Drum

HUB PART NUMBER	WHEEL TYPE	DRUM TYPE	STUD NUMBER	ABS RING NUMBER
A6-333B4734	Steel	Cast	09-001989	09-001867
04-15984-006	Aluminum, Steel	Cast	09-001910	09-001867
04-15984-026			09-001989	
04-15984-036			09-002004	09-001867
04-15984-041			09-001910	09-001867
04-15984-042			09-001911	09-001867

### STUD PILOTED - Hub and Drum Assemblies

HUB PART NUMBER	HAND	WHEEL TYPE	DRUM TYPE	STUD NUMBER	ABS RING NUMBER	DRUM SIZE	DRUM NUMBER	DRUM POSITION
14-15984-1184	RH	Aluminum, Steel	Cast	09-001910		16.5 x 7	03-123207-002	Outboard
14-15984-1185	LH	Aluminum, Steel	Cast	09-001911		16.5 x 7	03-123207-002	Outboard
14-15984-1186	RH	Aluminum, Steel	Cast	09-001910	09-001867	16.5 x 7	03-123207-002	Outboard
14-15984-1187	LH	Aluminum, Steel	Cast	09-001911	09-001867	16.5 x 7	03-123207-002	Outboard

### HUB PILOTED - Hub and Drum Assemblies

HUB PART NUMBER	WHEEL TYPE	DRUM TYPE	STUD NUMBER	ABS RING NUMBER	DRUM SIZE	DRUM NUMBER	DRUM POSITION
14-15984-1016	Steel	Cast	09-001989		16.5 x 7	03-123207-002	Outboard
14-15984-1017	Steel	Cast	09-001989	09-001867	16.5 x 7	03-123207-002	Outboard
14-15984-1067	Steel	Cast	09-001989		16.5 x 7	03-123207-002	Outboard
14-15984-1068	Aluminum	Cast	09-002003		16.5 x 7	03-123207-002	Outboard
14-15984-1433	Aluminum	Cast	09-002003	09-001867	16.5 x 7	03-123207-002	Outboard
14-15984-1072	Aluminum	Cast	09-002003	09-001867	16.5 x 7	03-123207-002	Outboard
14-15984-1081	Aluminum	Cast	09-002003		16.5 x 7	03-123207-002	Outboard
14-15984-1085X30	Steel	X30	09-002002		16.5 x 7	53-123537-002	Outboard

### WHEEL STUDS USED WITH HUB IN ASSEMBLIES

WHEEL STUD NO.	THREAD TYPE SIZE	STYLE	WHEEL TYPE	USE WITH DRUM TYPE
09-001910	Serrated 3/4"-16 R	Stud Piloted	Steel Wheel	Cast
09-001911	Serrated 3/4"-16 L	Stud Piloted	Steel Wheel	Cast
09-001989	Serrated M22 x 1.5	Hub Piloted	Steel Wheel	Cast
09-002002	Serrated M22 x 1.5	Hub Piloted	Steel Wheel	X30
09-002003	Serrated M22 x 1.5	Hub Piloted	Aluminum Wheel	Cast
09-002004	Serrated M22 x 1.5	Hub Piloted	Aluminum, Steel	Cast
09-002049	Serrated 3/4"-16 R	Stud Piloted	Steel Wheel	X30
09-002050	Serrated 3/4"-16 L	Stud Piloted	Steel Wheel	X30

### DRUMS USED WITH HUB IN ASSEMBLIES

DRUM NO.	DRUM TYPE	BRAKE SIZE	OVERALL DEPTH	PILOT DIAMETER
53-123537-002	X30	16.50" x 7.00"	10.38"	8.78"
03-123207-002	Cast Non-Balanced	16.50" x 7.00"	10.54"	8.78"

# TRAILER HUBS PRESET® BY MERITOR

**FOR AXLE MODELS: Meritor TP**

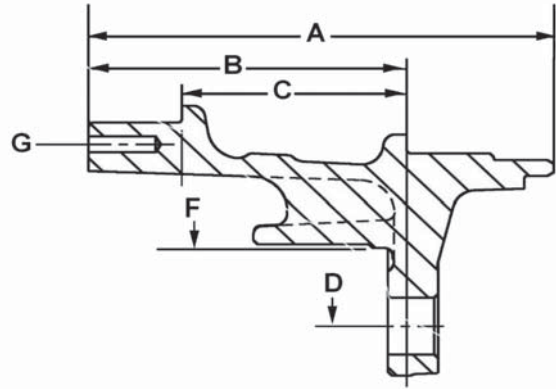
HUB NO.	DESCRIPTION	TYPE
04-16040-XXX	Trailer Axle Hub Outboard Drum	10 Hole Serrated Studs

## INNER BEARING

CUP	CONE	BOLT CIRCLE
HM518410	HM518445	11.250"

## OUTER BEARING

CUP	CONE
HM518410	HM518445



DRAWING REFERENCE	ITEM	DIMENSION
A	Overall Length	8.08"
B	Outer Hub Cap Face To Inner Bearing Cup Seat	5.96"
C	Distance Between Cups	4.50"
D	Bolt Circle Diameter	11.25"
E	Wheel Stud Quantity	10
F	Pilot Diameter	8.78"
G	Hub Cap Hole Pattern	6, 5/16"-18; 6.75" B.C.

HUB PART NUMBER	INNER BRG CUP	OUTER BRG CUP	STUD NUMBER	ABS RING NUMBER
04-16040-010PST	HM518410	HM518410	09-001989	09-001867
04-16040-011PST	HM518410	HM518410	09-002003	09-001867

## PRESET® BY MERITOR HUB SERVICE KITS

PART NUMBER	HUB TYPE	COMMENTS
R930178	TP	Spacer Kit
R930180	TP	Bearing Set
R930182	TP	Seal Kit
R930184	TP	Complete Rebuild Kit - Bearings, Spacer and Seal

## PRESET® BY MERITOR HUBCAPS

PART NUMBER	HUB TYPE	COMMENTS
3262-J-1388	TP	Oil
3262-M-1391	TP	Grease

# TRAILER HUBS PRESET® BY MERITOR

FOR AXLE MODELS: Meritor TN/TQ

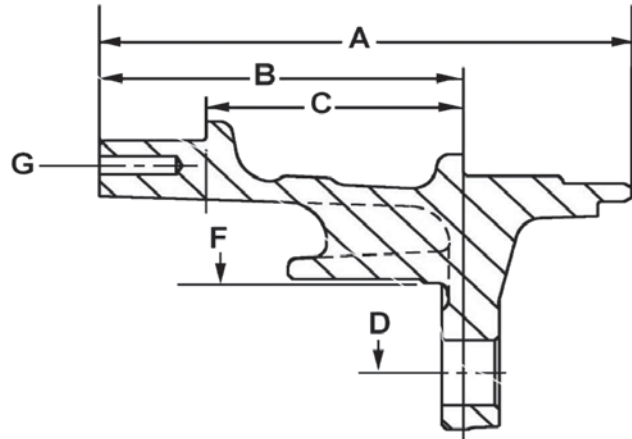
HUB NO.	DESCRIPTION	TYPE
04-16048-XXX	Trailer Axle Hub Outboard Drum	10 Hole Serrated Studs

## INNER BEARING

CUP	CONE	BOLT CIRCLE
HM218210	HM218248	11.25"

## OUTER BEARING

CUP	CONE
HM212011	HM212049



DRAWING REFERENCE	ITEM	DIMENSION
A	Overall Length	6.93"
B	Outer Hub Cap Face To Inner Bearing Cup Seat	4.73"
C	Distance Between Cups	3.34"
D	Bolt Circle Diameter	11.25"
E	Wheel Stud Quantity	10
F	Pilot Diameter	8.78"
G	Hub Cap Hole Pattern	6, 5/16"-18; 5.5" B.C.

HUB PART NUMBER	INNER BRG CUP	OUTER BRG CUP	STUD NUMBER	ABS RING NUMBER
04-16048-002PST	HM218210	HM212011	09-001989	09-001867
04-16048-004PST	HM218210	HM212011	09-002003	09-001867

## PRESET® BY MERITOR HUB SERVICE KITS

PART NUMBER	HUB TYPE	COMMENTS
R930177	TN/TQ	Spacer Kit
R930179	TN/TQ	Bearing Set
R930181	TN/TQ	Seal Kit

## PRESET® BY MERITOR HUBCAPS

PART NUMBER	HUB TYPE	COMMENTS
3262-K-1389	TN/TQ	Grease
3262-L-1390	TN/TQ	Oil

# HUB ASSEMBLY CROSS REFERENCE FOR MERITOR TP AXLES

NEW Meritor Part Number	Wheel Type	Drum Type	Pilot Diameter	Stud Number	ABS ring	Brake Size	Drum Number	Drum Position
A2-333A4733	Aluminum	Cast		R006034	PRT-13237			
A3-333A4733				No Studs	PRT-13237			Outboard
A6-333A4733	Steel	Cast		R006035	PRT-13237			

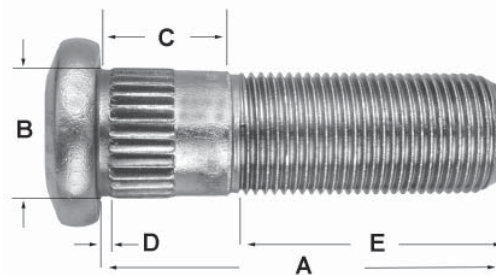
## HUB PILOTED - HUB AND DRUM ASSEMBLIES

HTPF-67T-1012	Steel	Cast		R006035	PRT-13237	16.50" x 7"	03-123207-002	Outboard
HTPF-67T-1020	Steel	X30		R006035	PRT-13237	16.50" x 7"	53-123537-002	Outboard
HTPF-67T-1030	Aluminum	X30		R006034	PRT-13237	16.50" x 7"	53-123537-002	Outboard
HTPF-67T-1014	Steel	Cast		R006035	PRT-13237	16.50" x 7"	03-123207-002	Outboard
HTPF-67T-1032	Aluminum	Cast		R006034	PRT-13237	16.50" x 7"	03-123207-002	Outboard
HTPF-67T-1034	Aluminum	X30		R006034	PRT-13237	16.50" x 7"	53-123537-002	Outboard
HTPF-67T-1018	Steel	Cast		R006035	PRT-13237	16.50" x 7"	85-123207-002	Outboard
HTPF-67T-1036	Aluminum	Cast		R006034	PRT-13237	16.50" x 7"	03-123207-002	Outboard

## DRUMS USED WITH HUB IN ASSEMBLIES

53-123537-002	X30	8.78"	16.50" x 7"
03-123207-002	Cast Non-Balanced	8.78"	16.50" x 7"
85-123207-002	Cast MTB	8.78"	16.50" x 7"

## STUDS FOR NEW HUB ASSEMBLIES



Meritor Part Number	A	B	C	D	E	F
R006035	3.94	0.98	0.72	0.25	2.88	M22 x 1.5
R006034	4.79	0.98	0.72	0.25	3.73	M22 x 1.5
R0014873L	2.66	0.98	0.81	0.25	1.46	3/4-16 LH
R0014873R	2.66	0.98	0.81	0.25	1.46	3/4-16 RH
R0014875	3.70	0.98	0.72	0.25	2.58	M22 x 1.5
R0014876	4.25	0.98	0.72	0.25	3.19	M22 x 1.5
R0014877	3.04	0.98	0.70	0.25	2.06	M22 x 1.5
R0014874R	3.13	0.98	0.81	0.25	1.63	3/4-16 RH
R0014874L	3.13	0.98	0.81	0.25	1.63	3/4-16 LH



## HUB ASSEMBLY CROSS REFERENCE FOR MERITOR TN AXLES

NEW Meritor Part Number	Wheel Type	Drum Type	Pilot Diameter	Stud Number	ABS ring	Brake Size	Drum Number	Drum Position
A2-333B4734	Aluminum	Cast		R006034	PRT-13237			Outboard
A3-333B4734				No Studs	PRT-13237			Outboard
A6-333B4734	Steel	Cast		R006035	PRT-13237			Outboard

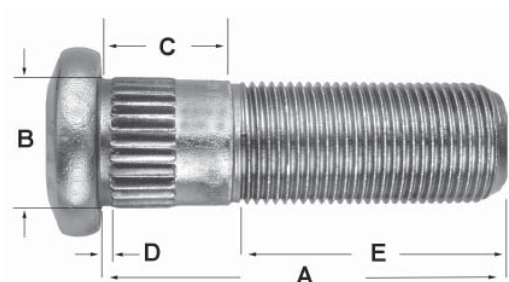
### HUB PILOTED - HUB AND DRUM ASSEMBLIES

HTNF-67T-1044	Steel	Cast		R006035	PRT-13237	16.50" x 7"	03-123207-002	Outboard
HTNF-67T-1058	Aluminum	X30		R006034	PRT-13237	16.50" x 7"	53-123537-002	Outboard
HTNF-67T-1046	Steel	X30		R006035	PRT-13237	16.50" x 7"	53-123537-002	Outboard
HTNF-67T-1048	Steel	X30		R006035	PRT-13237	16.50" x 7"	53-123537-002	Outboard
HTNF-67T-1060	Aluminum	Cast		R006034	PRT-13237	16.50" x 7"	03-123207-002	Outboard
HTNF-67T-1062	Aluminum	X30		R006034	PRT-13237	16.50" x 7"	53-123537-002	Outboard
HTNF-67T-1064		Cast				16.50" x 7"		Outboard

### DRUMS USED WITH HUB IN ASSEMBLIES

53-123537-002		X30	8.78"			16.50" x 7"	
03-123207-002		Cast Non-Balanced	8.78"			16.50" x 7"	
85-123207-002		Cast MTB	8.78"			16.50" x 7"	

### STUDS FOR NEW HUB ASSEMBLIES



Meritor Part Number	A	B	C	D	E	F
R006035	3.94	0.98	0.72	0.25	2.88	M22 x 1.5
R006034	4.79	0.98	0.72	0.25	3.73	M22 x 1.5
R0014873L	2.66	0.98	0.81	0.25	1.46	3/4-16 LH
R0014873R	2.66	0.98	0.81	0.25	1.46	3/4-16 RH
R0014875	3.70	0.98	0.72	0.25	2.58	M22 x 1.5
R0014876	4.25	0.98	0.72	0.25	3.19	M22 x 1.5
R0014877	3.04	0.98	0.70	0.25	2.06	M22 x 1.5
R0014874R	3.13	0.98	0.81	0.25	1.63	3/4-16 RH
R0014874L	3.13	0.98	0.81	0.25	1.63	3/4-16 LH

# CROSS REFERENCE LISTING

BENDIX		ERIE		GMC	
BENDIX PART NO.	MERITOR PART NO.	ERIE PART NO.	MERITOR PART NO.	GMC PART NO.	M ERITOR PART NO.
141269	23-122700-002	2738	03-122222-002	790328	23-122693-002
141269	23-123485-002	2740	03-120586-002	1569970	23-122729-002
141270	23-122691-002	2752	03-122963-002	2393941	23-122693-002
141271	23-123486-002	2760	03-012582-002	12361076	23-123489-002
141272	23-122729-002	2762	03-120754-002	12386682	23-123486-002
141272	23-123489-002	2764	03-123207-002	12386685	23-123495-002
141273	23-122527-002	2766	03-120936-002	12386716	23-123433-002
141274	23-122701-002	2770	03-122683-002	12388047	23-123489-002
141274	23-123460-002	2771	03-122550-002	12547785	23-123485-002
141275	23-122703-002	2774	03-122948-002	15500326	23-122729-002
141276	23-122743-002	2775	03-123430-002	15514357	23-122729-002
141475	23-123572-009	27401	03-122126-002	15514406	23-122729-002
141476	23-123573-009	27501	03-012480-002	15514470	23-123486-002
141489	23-123041-002	27501	03-120574-002	15514476	R44141583
141490	23-123046-002	27645	03-123207-002	15514492	23-122693-002
141494	23-122897-002	27733	03-122925-002	15515786	23-123486-002
141583	R44141583	276451	03-120877-002	15515789	23-122688-002
141584	23-123486-002	277118	03-123409-002	15519970	23-122729-002
141585	23-122688-002	2740-1	03-122126-002	15579020	23-123041-002
141606	23-122693-002	2750-1	03-012480-002	15579025	23-123046-002
141607	23-122729-002	2750-1	03-120574-002	15579754	23-123046-002
141627	R44141627	2764-5	03-123207-002	15611098	23-122688-002
141629	R44141629	2764-51	03-120877-002	15611099	23-122688-002
141730	R44141730	2771-18	03-123409-002	15616450	23-123041-002
141856	R44141856	2773-3	03-122925-002	15619578	23-122693-002
141874	23-123495-002			15619626	23-122693-002
141877	23-123486-002			15619954	23-123486-002
145058	23-123439-002			15619970	23-122729-002
				15661542	23-123495-002
				15661543	23-123495-002
				88936204	23-123557-009
		FORD			
		FORD PART NO.	MERITOR PART NO.		
		86514074	23-123494-002		
		4C4Z1125A	23-123552-009		
		4C4Z1125CA	23-123552-009		
		4C4Z1125GC	23-123573-009		
		D5HZ1102A	R44141856		
		D5HZ1102B	R448904		
		E3HZ1102A	23-122691-002		
		E4HZ1125A	23-122700-002		
		E4HZ1125A	23-123485-002		
		E4HZ1125C	23-122703-002		
		E4HZ1125D	23-122743-002		
		E6HZ1125F	R447185		
		F0HZ1126C	85-123332-002		
		F4HZ1125A	23-123439-002		
		F4HZ1125C	23-123458-002		
		YC3Z2C026AA	23-123498-002		

# CROSS REFERENCE LISTING

## GUNITE

GUNITE PART NO.	MERITOR PART NO.	GUNITE PART NO.	MERITOR PART NO.	GUNITE PART NO.	MERITOR PART NO.
2604	03-120516-002	2997D	03-123430-002	R6066	23-122701-002
2705	03-012582-002	3012A	03-122239-002	R6114	R44141629
2845	03-122597-002	3012B	03-122027-002	R6115A	R44141627
2850	03-120705-002	3018A	03-122126-002	R6121A	R44141627
2851	03-120442-002	3018A	03-122518-002	R6128	23-122701-002
2974	03-120574-002	3018B	03-120586-002	D6175	23-123552-009
2997	03-123430-002	3022B	03-123427-002	D6183	23-123552-009
3120	03-120877-002	3295A	03-122683-002	D6194A	23-123572-009
3141	03-122550-002	3485B	03-122011-002	R3064X	R448904
3166	03-122978-002	3485BX	85-123203-002	R3306	R44141629
3168	03-120376-002	3600A	03-123207-002	R6052	23-122729-002
3174	03-122963-002	3600AX	85-123207-002	R6054C	23-123480-002
3186	03-122314-002	3638A	03-123020-002		
3195	03-120149-002	3687X	03-123399-002		
3197	03-120936-002	3687X	85-123399-002		
3289	03-123500-002	3721AX	85-123382-002		
3292	85-122038-002	3721AX	85-123366-002		
3294	13-122296-002	3721X	85-123366-002		
3401	03-123365-002	3726X	03-123448-002		
3402	03-123397-002	3744X	85-123466-002		
3441	85-123297-002	3750B	03-123466-002		
3483	03-122607-002	3753X	85-123465-002		
3544	03-012480-002	3758X	85-123383-002		
3604	13-122039-002	3760B	03-122104-002		
3674	03-120981-002	3760B	03-123431-002		
3676	03-120988-002	3780X	85-123570-002		
3687	85-123400-002	3782X	85-123520-002		
3699	03-122453-002	3800X	03-123448-002		
3710	85-123383-002	D5054A	23-123495-002		
3732	03-012582-002	D6052	23-122729-002		
3767	03-120855-002	D6052	23-123489-002		
2546C	13-120586-002	D6054	23-123486-002		
2577A	03-120754-002	D6054A	23-122688-002		
2769X	85-122550-002	D6054A	23-123486-002		
2983C	03-122222-002	D6054C	23-122700-002		
2997A	03-123430-002	D6054C	23-123485-002		
2997C	03-123430-002	D6054C	23-123480-002		
2997D	03-122009-002	D6059	23-122693-002		
2997D	03-123200-002	D6128	23-122701-002		
3136B	03-122925-002	D6128	23-123460-002		
3141B	03-123409-002	D6128A	23-123494-002		
3141BX	85-123409-002	D6133	23-122897-002		
3141X	53-123565-002	D6151	23-122897-002		
3141X	85-122550-002	D6151	23-123489-002		
3169A	03-122562-002	R6059	23-122693-002		

# CROSS REFERENCE LISTING

HAYES		KIC		MOTOR WHEEL	
HAYES PART NO.	MERITOR PART NO.	KIC PART NO.	MERITOR PART NO.	MOTOR WHEEL PART NO.	MERITOR PART NO.
87101B	53-123564-002	51952-11	03-120743-002	600001	53-123627-002
87156B	53-123565-002	52020-01	03-012582-002	87101B	53-123564-002
87295B	53-123582-002	52120-12	03-122683-002	87156B	53-123565-002
87442B	53-123593-002	52230-10	03-122222-002	87295B	53-123582-002
87615B	53-123580-002	52327-10	03-122126-002	87407B	53-123585-002
87707B	53-123590-002	52705-30	03-122550-002	87615B	53-123580-002
88739B	53-123605-002	52705-308	85-122550-002	87707B	53-123590-002
88797B	53-123566-002	52877-11	03-120877-002	87945BK	53-123609-002
		52890-13	03-123430-002	88739B	53-123605-002
		53026-01	03-122607-002	88797B	53-123566-002
		53033-01	03-123365-002	88814B	53-123588-002
		53033-018	85-123365-002	88870BK	53-123575-002
		53033-30	03-123409-002	89571B	53-123579-002
		53075-018	85-123366-002	89870BK	53-123542-002
		54201-108	85-123382-002	89877B	53-123583-002
		54202-01	03-123397-002	89996B	53-123537-002
		54203-01	03-120936-002	90089BK	53-123512-002
		54238-018	85-123383-002	90137B	53-123606-002
		54248-018	85-123399-002	90174B	53-123598-002
		54261-018	85-123365-002	90434B	53-123597-002
		54293-018	03-123448-002	90486B	53-123581-002
		60001-01	03-123207-002	90600B	53-123589-002
		60001-018	85-123207-002	90660BK	53-123568-002
				91049B	53-123607-002
				91137BK	53-123567-002
				91265B	53-123608-002
				91723B	53-123602-002
				91725B	53-123601-002
				91792B	53-123535-002
				91812B	53-123544-002

# CROSS REFERENCE LISTING

## WEBB

WEBB PART NO.	MERITOR PART NO.	WEBB PART NO.	MERITOR PART NO.	WEBB PART NO.	MERITOR PART NO.
54102	23-123486-002	64453	03-122314-002	60545B	53-123568-002
54103	23-122700-002	64481	03-120981-002	60854B	85-123570-002
54104	23-122688-002	64489	03-123020-002	60528B	85-123382-002
54104	23-123486-002	65266	03-123427-002	60864B	53-123537-002
54104	23-123495-002	65514	03-122104-002	60875B	53-123566-002
54105	23-123480-002	65516	03-120855-002	60875B	85-123409-002
54106	23-123495-002	65545	03-123366-002	60895B	53-123565-002
54106	23-123495-002	66250	03-123025-002	60895B	85-122550-002
54106	23-123532-002	66366	03-123302-002	61528B	85-123382-002
54251	23-122527-002	66864	03-123207-002	62115B	85-122038-002
54251	23-123458-002	66865	03-122948-002	65152B	85-123399-002
54301	23-122729-002	66865	85-123297-002	65162B	85-123400-002
54301	23-123489-002	66873	03-123397-002	65174B	85-123463-002
54301	23-123480-002	66875	03-123409-002	65554B	03-123448-002
54351	23-122691-002	66884	03-123365-002	65565B	53-123568-002
54351	23-123439-002	66892	03-122453-002	66808B	85-123520-002
54352	23-122743-002	66895	03-122550-002	66809B	85-123570-002
54769	23-123573-009	67101	03-122978-002	69672F	03-123397-002
54770	23-123572-009	67518	03-122222-002	69877B	53-123583-002
54771	23-123897-002	68012	03-122027-002	69996B	53-123537-002
54771	23-123552-009	68013	03-122239-002		
60864	53-123537-002	68730	03-122126-002		
60876	03-120877-002	68730	03-122518-002		
60895	53-123565-002	68765	03-120586-002		
61528	03-123382-002	68903	03-012480-002		
61528	85-123382-002	68927	03-120376-002		
61566	03-120516-002	68931	03-120376-002		
61727	03-120442-002	68958	03-122925-002		
61733	13-120142-002	68981	03-122683-002		
61780	03-120754-002	68988	03-120988-002		
61788	03-120936-002	51174B	85-122966-002		
61791	03-120149-002	54102F	23-123486-002		
62117	03-123500-002	54103F	23-123485-002		
62200	03-012582-002	54104F	23-122688-002		
62240	03-120574-002	54104F	23-123495-002		
62358	03-122488-002	54106F	23-123495-002		
62997	03-122009-002	54251F	23-122527-002		
62997	03-123430-002	54251F	23-123458-002		
62998	03-123200-002	54301F	23-123480-002		
63035	03-122011-002	54351F	23-122691-002		
63035	85-123203-002	54351F	23-123439-002		
63617	03-122963-002	54769F	23-123573-009		
63647	03-122963-002	54771F	23-123489-002		
64018	03-120705-002	60152B	85-123399-002		
64405	03-122562-002	60162B	85-123400-002		
64425	03-122597-002	60528B	53-123512-002		

# NUMERICAL PARTS LISTING

PART NUMBER	PAGE	PART NUMBER	PAGE	PART NUMBER	PAGE
03-012480-002	10, 19	03-123397-002	11, 19	04-15974-001	40
03-012488-002	10, 20	03-123398-002	11, 19	04-15974-002	40
03-012582-002	10, 19	03-123399-002	11, 18	04-15975-001	41
03-120376-002	10, 20	03-123406-002	12, 20	04-15981-016	91
03-120442-002	10, 19	03-123409-002	12, 20	04-15981-017	91
03-120516-002	10, 17	03-123420-002	12, 16	04-15981-018	91
03-120566-002	10, 16	03-123421-002	12, 16	04-15981-019	91
03-120574-002	10, 19	03-123427-002	12, 18	04-15984-006	92
03-120586-002	10, 19	03-123428-002	12, 20	04-15984-026	92
03-120705-002	10, 16	03-123430-002	12, 19	04-15984-036	92
03-120743-002	10, 19	03-123431-002	12, 16	04-15984-041	92
03-120754-002	10, 19	03-123448-002	12, 17	04-15984-042	92
03-120822-002	10, 16	03-123466-002	12, 17	04-15985-002	42
03-120855-002	10, 18	03-123493-002	12, 17	04-15985-003	42
03-120877-002	10, 20	03-123500-002	12, 18	04-15985-006	42
03-120882-002	10, 20	03-123520-002	12, 20	04-16000-003	44
03-120936-002	10, 20	03-123538-002	12, 18	04-16001-001	46
03-120981-002	10, 16	04-15413-006	86	04-16001-003	46
03-120988-002	10, 18	04-15413-007	86	04-16001-005	46
03-122009-002	10, 19	04-15502-001	87	04-16002-098-P72	48
03-122011-002	10, 17	04-15502-002	87	04-16009-002	49
03-122027-002	10, 19	04-15502-004	87	04-16009-003	49
03-122104-002	10, 16	04-15502-005	87	04-16012-002	50
03-122126-002	10, 19	04-15502-006	87	04-16012-003	50
03-122222-002	10, 19	04-15502-007	87	04-16040-010PST	93
03-122239-002	10, 19	04-15502-021	87	04-16040-011PST	93
03-122314-002	10, 16	04-15502-022	87	04-16048-002PST	94
03-122453-002	10, 19	04-15502-029	87	04-16048-004PST	94
03-122488-002	10, 16	04-15502-030	87	04-16062-005	51
03-122518-002	10, 19	04-15502-031	87	04-16062-007	51
03-122550-002	10, 20	04-15502-032	87	04-16062-020	51
03-122562-002	10, 17	04-15502-041	87	04-16062-021	51
03-122600-002	10, 19	04-15673-002	26	4C4Z1125A	97
03-122607-002	10, 20	04-15673-003	26	4C4Z1125CA	97
03-122683-002	10, 19	04-15673-036	26	4C4Z1125GC	97
03-122806-002	10, 17	04-15712-002	28	4-X-1612	25, 49, 50
03-122921-002	10, 17	04-15712-1000	28	05-1600-8098-P72	79
03-122925-002	10, 19	04-15719-002	29	05-1603-3098-P72	81
03-122947-002	10, 16	04-15719-1004	29	05-15633-002	53
03-122948-002	10, 19	04-15719-1005	29	05-15633-003	53
03-122963-002	11, 16	04-15728-002	31	05-15756-002	54
03-122964-002	11, 16	04-15728-004	31	05-15756-003	54
03-122966-002	11, 18	04-15900-002	33	05-15863-002	55
03-122971-002	11, 16	04-15900-003	33	05-15863-003	55
03-122978-002	11, 20	04-15900-004	33	05-15871-002	56
03-123020-002	11, 16	04-15900-005	33	05-15871-003	56
03-123024-002	11, 16	04-15930-002	34	05-15873-002	57
03-123025-002	11, 20, 86	04-15930-003	34	05-15873-003	57
03-123200-002	11, 19	04-15937-002	35	05-15874-002	58
03-123207-002	11, 19, 88, 90, 92, 95, 96	04-15937-003	35	05-15874-003	58
03-123219-002	11, 18	04-15943-002	36	05-15897-002	59
03-123276-002	11, 17	04-15957-1000	37	05-15897-003	59
03-123297-002	11, 19	04-15968-002	89	05-15897-004	59
03-123302-002	11, 18	04-15968-007	89	05-15897-005	59
03-123331-002	11, 17	04-15968-009	89	05-15897-008	59
03-123332-002	11, 17	04-15968-037	89	05-15897-009	59
03-123365-002	11, 20	04-15968-038	89	05-15903-030	60
03-123365-002	88, 90	04-15968-043	89	05-15925-002	61
03-123366-002	11, 16	04-15968-044	89	05-15925-003	61
03-123382-002	11, 16	04-15968-045	89	05-15925-004	61
03-123383-002	11, 18	04-15972-002	38	05-15931-002	62
03-123396-002	11, 17	04-15973-100	39	05-15931-003	62

# NUMERICAL PARTS LISTING

PART NUMBER	PAGE	PART NUMBER	PAGE	PART NUMBER	PAGE
05-15932-002.....	63	09-002085.....	25, 27	14-15984-1433.....	92
05-15932-003.....	63	09-002086.....	25, 27	14-15985-1003MTB.....	42
05-15935-002.....	64	09-002173.....	24, 61	14-15985-1004MTB.....	42
05-15935-003.....	64	09-002184.....	24, 30, 33, 34, 35	14-15985-1033MTB.....	42
05-15935-004.....	64	09-002200.....	24, 44	14-16062-1000MTB.....	51
05-15935-005.....	64	09-002209.....	46	14-16062-1010MTB.....	51
05-15938-1001.....	66	09-002216.....	24, 77, 80	14-16062-1029MTB.....	51
05-15938-1002.....	66	09-002218.....	24	14-16062-1030MTB.....	51
05-15954-005.....	68	09-002223.....	24, 41	15-15633-1000MTB.....	53
05-15954-006.....	68	09-002225.....	24, 40, 72, 73	15-15633-1001MTB.....	53
05-15955-1000.....	69	09-002226.....	24, 40, 72, 73	15-15756-102.....	54
05-15964-1057.....	70	09-002228.....	24, 78, 79	15-15756-300.....	54
05-15964-1058.....	70	09-002229.....	24, 50	15-15756-301.....	54
05-15967-1001.....	71	09-002232.....	24	15-15938-1003MTB.....	66
05-15977-002.....	72, 73	09-002233.....	24, 39	15-15954-1014MTB.....	68
05-15988-001.....	74	13-120142-002.....	100	15-15954-1015MTB.....	68
05-15996-002.....	75	13-120586-002.....	98	15-15954-1016MTB.....	68
05-15996-003.....	75	13-122039-002.....	98	15-15996-1000MTB.....	75
05-16005-002.....	77	13-122296-002.....	98	15-15996-1002MTB.....	75
05-16007-002.....	78	13-123219-002.....	18	15-16026-1002MTB.....	81
05-16033-098P72.....	82	13-123219-002.....	54	15-16026-1006MTB.....	81
05-16034-003.....	83	13-123302-002.....	18	15-16026-1007MTB.....	81
05-16034-005.....	83	13-123302-002.....	54	16-15719-076.....	29
05-16067-002.....	85	14-15413-1032.....	86	16-15719-203.....	29
05-16067-005.....	85	14-15502-050.....	88	16-15719-204.....	29
08-007775.....	31	14-15502-051.....	88	16-15719-1000.....	30
08-008551.....	25, 36, 42, 43, 44, 45, 46, 47, 48, 52	14-15502-064.....	88	16-15719-1005.....	30
08-203868.....	25, 34	14-15502-087.....	88	16-15719-1011.....	30
08-205435.....	25, 27, 30, 32, 38, 39	14-15502-088.....	88	16-15740-100.....	32
08-205740.....	25, 52	14-15502-503.....	88	16-15943-1000.....	36
08-205741.....	25, 27, 28, 30, 37	14-15502-504.....	88	16-15972-1000.....	38
09-001688.....	24	14-15673-1004MTB.....	26	16-15973-1001.....	39
09-001727.....	24, 54, 74, 75, 81	14-15673-1008MTB.....	26	16-15974-1000.....	40
09-001728.....	24, 27, 45, 81	14-15673-1009MTB.....	26	16-15974-1001.....	40
09-001811.....	24, 28, 32, 37	14-15968-111.....	90	16-15975-1000.....	41
09-001826.....	24, 69, 71	14-15968-112.....	90	16-15975-1001.....	41
09-001867.....	90, 92	14-15968-114.....	90	16-16000-1000.....	44
09-001910.....	25, 43, 59, 88, 90, 92	14-15968-114.....	90	16-16000-1001.....	44
09-001911.....	25, 43, 59, 88, 90, 92	14-15968-129.....	89	16-16000-1012.....	44
09-001925.....	24, 53	14-15968-130.....	89	16-16001-1002.....	46
09-001926.....	24, 53, 82	14-15968-350X30.....	90	16-16001-1004.....	46
09-001937.....	31	14-15968-351X30.....	90	16-16002-1000.....	48
09-001958.....	24, 59, 62, 63, 65	14-15968-352X30.....	90	16-16009-1001.....	49
09-001988.....	24, 30, 54, 59, 60, 62, 63, 65, 68 70, 74, 83, 84, 85	14-15968-353X30.....	90	17-15903-050.....	60
09-001989.....	24, 30, 31, 33, 34, 35, 38, 42, 43 44, 45, 46, 47, 49, 66, 68, 83, 86, 88, 90, 91, 92	14-15968-1033.....	90	17-15946-1000.....	67
09-001997.....	25, 65	14-15968-1082.....	90	17-15964-1006.....	70
09-001998.....	25, 65, 76	14-15968-1083.....	90	17-15977-1000.....	72, 73
09-001999.....	24, 53, 61	14-15968-1107X30.....	90	17-15977-1001.....	72, 73
09-002000.....	24, 53, 61	14-15968-1230.....	90	17-15988-1001.....	74
09-002002.....	24, 66, 68, 75, 90, 92	14-15968-1234.....	90	17-15988-1002.....	74
09-002003.....	24, 27, 42, 43, 46, 47, 48, 49, 86 88, 90, 91, 92	14-15968-1235.....	90	17-15997-1000.....	76
09-002004.....	24, 27, 30, 38, 45, 46, 47, 50, 92	14-15968-1293MTB.....	90	17-16007-1000.....	78
09-002005.....	24, 36, 74	14-15984-1016.....	92	17-16008-1000.....	79
09-002013.....	24, 67, 70	14-15984-1017.....	92	17-16010-1000.....	80
09-002047.....	24, 30, 33	14-15984-1067.....	92	17-16055-1001.....	84
09-002048.....	24, 30, 33	14-15984-1068.....	92	20-X-2551.....	24, 59
09-002049.....	25, 92	14-15984-1072.....	92	20-X-2552.....	24, 59
09-002050.....	25, 92	14-15984-1081.....	92	23-122527-002.....	21, 23
		14-15984-1085X30.....	92	23-122691-002.....	21
		14-15984-1184.....	92	23-122693-002.....	21
		14-15984-1185.....	92	23-122700-002.....	21
		14-15984-1186.....	92	23-122701-002.....	21
		14-15984-1187.....	92		

# NUMERICAL PARTS LISTING

PART NUMBER	PAGE	PART NUMBER	PAGE	PART NUMBER	PAGE
23-122703-002	21	53-123602-002	13, 17	85-123650-002	15, 18
23-122729-002	23, 30	53-123605-002	13, 18	85-123651-002	15, 18
23-122897-002	21	53-123606-002	13, 18	85-123652-002	15, 20, 43
23-123041-002	21	53-123607-002	13, 18	85-123657-002	15, 18, 81
23-123046-002	21	53-123608-002	13, 18	85-123660-002	15, 18, 68
23-123296-002	21, 23	53-123609-002	13, 16	85-123681-002	15, 17
23-123433-002	21	53-123627-002	13, 18	A2-333A4733	95
23-123439-002	21	85-120516-002	14, 17	A2-333B4734	96
23-123458-002	21	85-120586-002	14, 19	A3-333A4733	95
23-123458-002	23	85-120855-002	14, 18	A3-333B4734	96
23-123460-002	21	85-120877-002	14, 20	A6-333A4733	95
23-123460-002	23	85-122009-002	14, 19	A6-333B4734	92, 96
23-123461-002	21	85-122011-002	14, 17	R006034	95, 96
23-123468-002	21, 23	85-122103-002	14, 19	R006035	95, 96
23-123480-002	21, 23	85-122266-002	14, 18	R008958L	24
23-123485-002	21, 23	85-122505-002	14, 16	R008958R	24
23-123486-002	22, 23	85-122518-002	14, 19	R0014873L	95, 96
23-123487-002	22, 23	85-122550-002	14, 20	R0014873R	95, 96
23-123489-002	22, 23	85-122600-002	14, 19	R0014874L	95, 96
23-123494-002	22, 23	85-122683-002	14, 19	R0014874R	95, 96
23-123495-002	22, 23	85-122921-002	14, 17	R0014875	95, 96
23-123497-002	22	85-122947-002	14, 16	R0014876	95, 96
23-123498-002	22, 23, 32	85-122948-002	14, 19	R0014877	95, 96
23-123522-002	22, 76, 80	85-122954-002	14, 18	R447185	22
23-123527-002	22	85-122964-002	14, 16	R448904	22
23-123547-002	22, 60	85-122966-002	14, 18	R930177	94
23-123550-009	22	85-123200-002	14, 19	R930178	93
23-123552-009	22	85-123203-002	14, 17	R930179	94
23-123557-009	22, 30, 38, 67, 69, 70, 71	85-123207-002	14, 19, 43, 52, 95	R930180	93
23-123572-009	22	85-123276-002	14, 17	R930181	94
23-123573-009	22, 62, 63, 65	85-123297-002	14, 19	R930182	93
23-123574-009	22, 36	85-123331-002	14, 17	R930184	93
23-123615-002	22, 45	85-123332-002	14, 17	R44141583	22
23-123617-009	39	885-123345-002	14, 16	R44141627	22
23-123618-002	22, 40	85-123348-002	14, 20	R44141629	22
23-123624-002	22, 41	85-123365-002	14, 20, 52	R44141730	22
23-123625-002	22	85-123366-002	14, 16	R44141875	22
23-123626-002	22, 72, 73	85-123370-002	14, 18		
23-123632-002	22, 48	85-123382-002	14, 15, 16		
23-123642-002	22, 45, 47, 74, 79	85-123383-002	15, 18		
23-123647-002	22, 49, 78, 84	85-123396-002	15, 17, 68		
53-123512-002	16	85-123397-002	15, 19, 27		
53-123535-002	13, 20	85-123399-002	15, 18		
53-123537-002	13, 19, 90, 92, 95, 96	85-123400-002	15, 18, 68		
53-123542-002	13, 17	85-123406-002	15, 20		
53-123544-002	13, 20	85-123409-002	15, 20		
53-123564-002	13, 19	85-123420-002	15, 16, 53		
53-123565-002	13, 19	85-123421-002	15, 16		
53-123566-002	13, 19	85-123427-002	15, 18		
53-123567-002	13, 16	85-123428-002	15, 20		
53-123568-002	13, 16	85-123431-002	15, 16		
53-123575-002	13, 16	85-123448-002	15, 17		
53-123579-002	13, 20	85-123463-002	15, 18, 68		
53-123580-002	13, 20	85-123465-002	15, 17, 66		
53-123581-002	13, 20	85-123466-002	15, 17, 27		
53-123582-002	13, 19	85-123520-002	15, 20		
53-123583-002	13, 19	85-123548-002	15, 17		
53-123588-002	13, 18	85-123553-002	15, 17		
53-123589-002	13, 18	85-123556-002	15, 18		
53-123590-002	13, 18	85-123561-002	15, 18, 75		
53-123598-002	13, 17	85-123569-002	15, 18		
53-123601-002	13, 17	85-123570-002	15, 20, 90		



# MERITOR AFTERMARKET PARTS WARRANTY

We warrant all new parts for one year from date of shipment to the buyer against defective material or workmanship (but not against damage caused by accident, abuse or improper installation, maintenance or repair) when such parts are used on vehicles the specifications of which have been approved by our Engineering Department.

As the exclusive remedy under this warranty, we will, at our option, repair or replace such parts free of charge, or take back the nonconforming parts and refund the monies paid by buyer for such parts, if found on examination by us to be nonconforming and if any necessary return charges are prepaid.

If it is necessary to return any parts under this warranty, buyer agrees not to make any deduction on account thereof from remittances on current accounts while claims are in the process of disposition. Any expense incurred without our consent for repairs or replacement will not be allowed.

**THIS WARRANTY IS EXPRESSLY IN LIEU OF ALL OTHER WARRANTIES OR CONDITIONS, EXPRESS, IMPLIED OR STATUTORY, INCLUDING ANY IMPLIED WARRANTY OF MERCHANTABILITY OR FITNESS FOR PARTICULAR PURPOSE. IN NO EVENT SHALL SELLER BE LIABLE FOR INCIDENTAL OR CONSEQUENTIAL DAMAGES OF ANY NATURE.**

Only genuine Meritor replacement parts are covered by this aftermarket parts warranty.

Vehicle models, brands and names depicted herein are the property of their respective owners, and are not in any way associated with Meritor, Inc., or its affiliates.



Meritor Heavy Vehicle Systems, LLC  
7975 Dixie Highway  
Florence, Kentucky 41042 USA

888-725-9355 U.S.  
800-387-3889 Canada  
[MeritorPartsOnline.com](http://MeritorPartsOnline.com)  
[meritor.com](http://meritor.com)

©2013 Meritor, Inc.  
Litho in USA, PB-2005  
Revised 07-13 (47865/11900)